




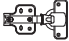
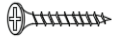



INSTALLATION INSTRUCTIONS



INCLUDED HARDWARE	BOLT M6		16 (qty)	SCREW M4X15		24 (qty)
	BOLT M4		4 (qty)	METAL HANDLE		2 (qty)
	ALLEN KEY M4		1 (qty)	CONCEALED HINGE-SOLF CLOSE		4 (qty)
	SCREW M4X20		16 (qty)	WASHER M6XØ14		4 (qty)

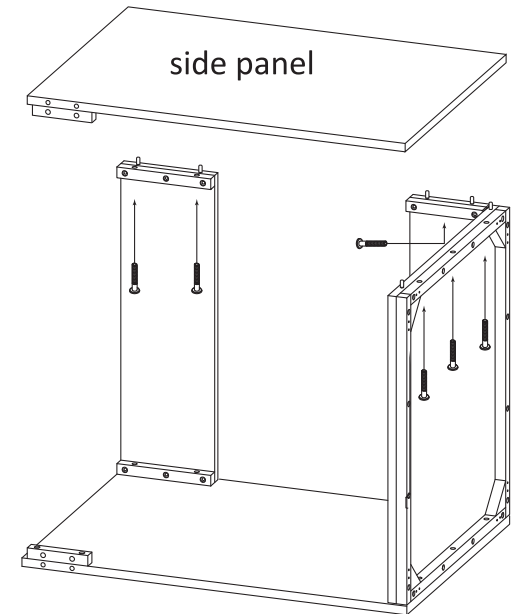
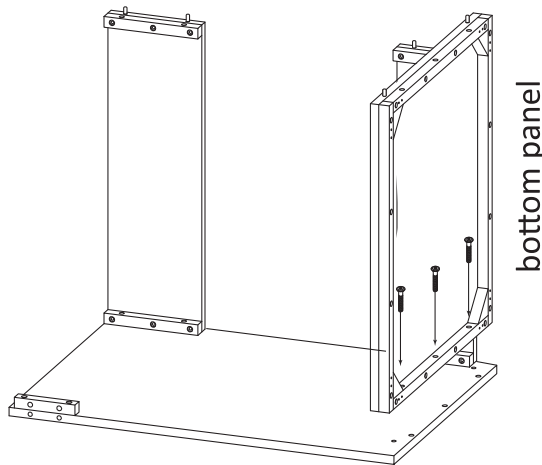
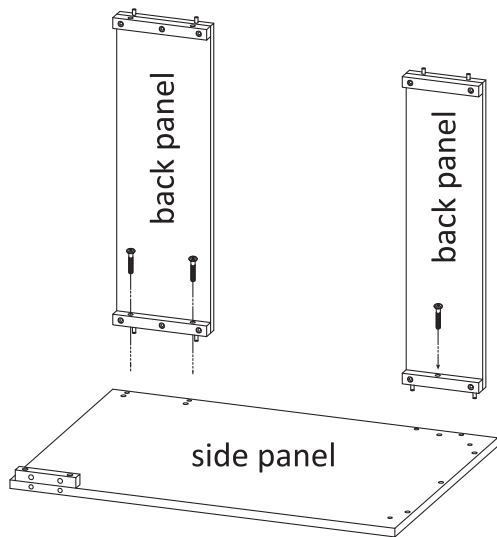
1. Tighten the back pieces to the side panel as shown with the M6 bolts and hex/allen wrench.



2. Tighten down the bottom of the vanity with the M6 bolts.



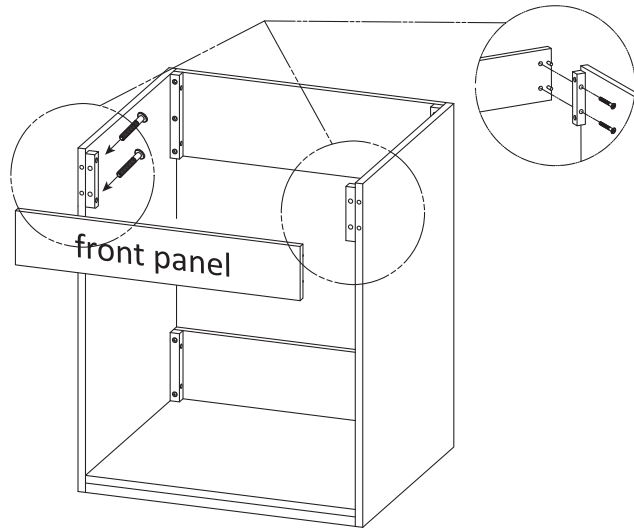
3. Connect the other side panel and tighten down with M6 bolts.



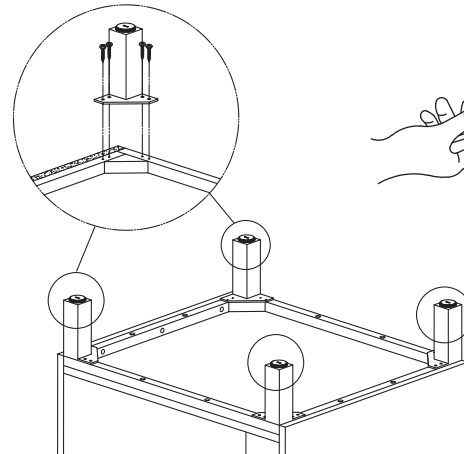
INSTALLATION INSTRUCTIONS



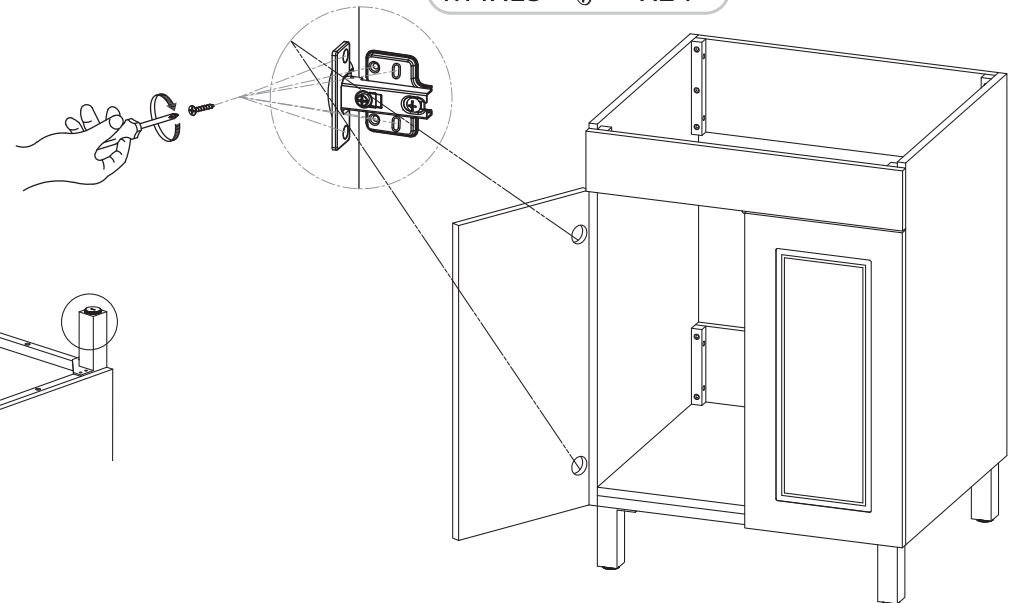
4. Tighten down the front panel with M6 bolts.



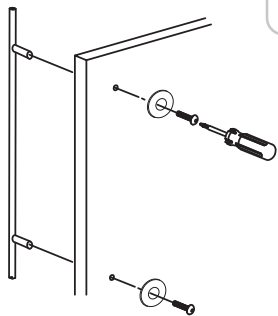
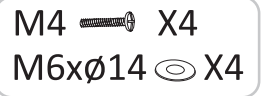
5. Flip the vanity over and attach each foot with 4 M4X20 screws.



6. Flip the vanity upright. Insert the Hinges into the premade sockets. Attach with 6 M4X15 screws.



7. Install the handles with M4 Bolts and washers.



Use the examples to adjust the doors to your liking

