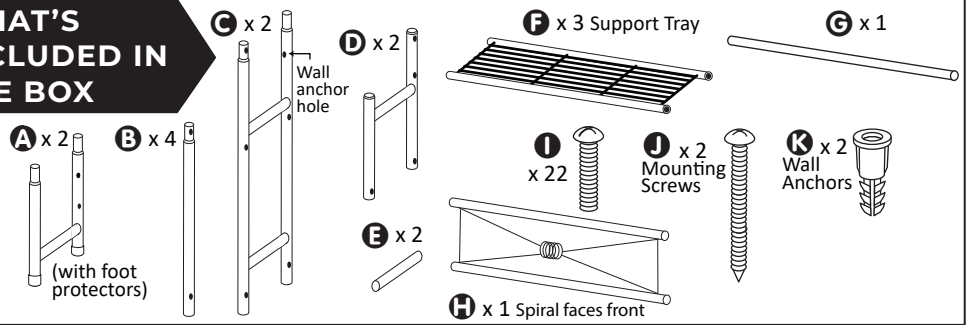


3 PIECE BATHROOM STORAGE ORGANIZER SET

MATERIALS AND TOOLS NEEDED

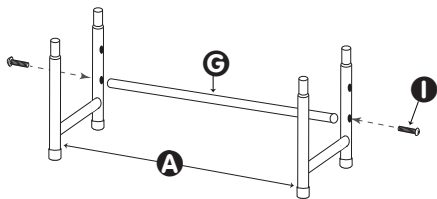
Screwdriver
 (Optional)
 Drill with 1/4" Bit
 for Wall Anchor

WHAT'S INCLUDED IN THE BOX

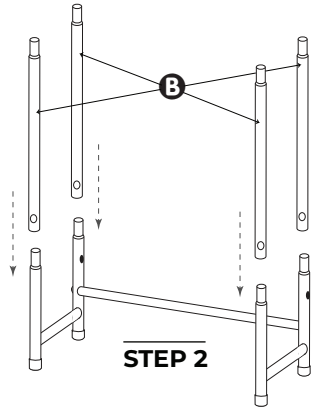


HOW TO INSTALL:

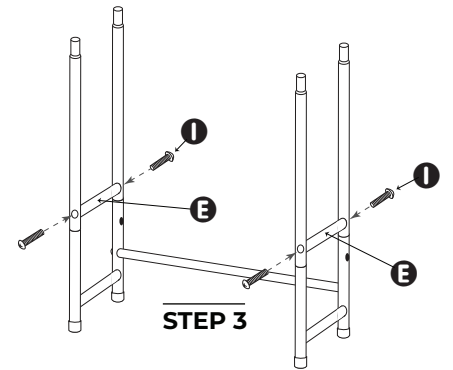
IMPORTANT: DO NOT OVERTIGHTEN THE SCREWS



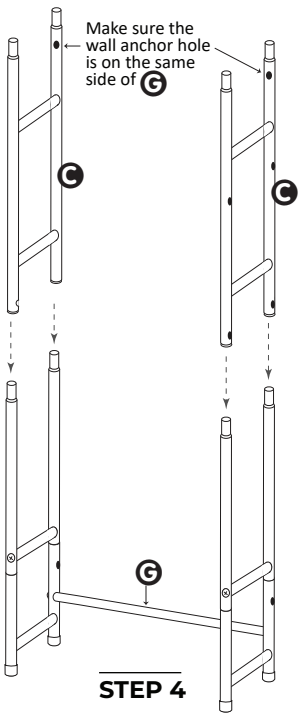
STEP 1 NOTE: To ensure the organizer shelf will fit behind the toilet, place the assembled parts behind the toilet before continuing the rest of installation process.



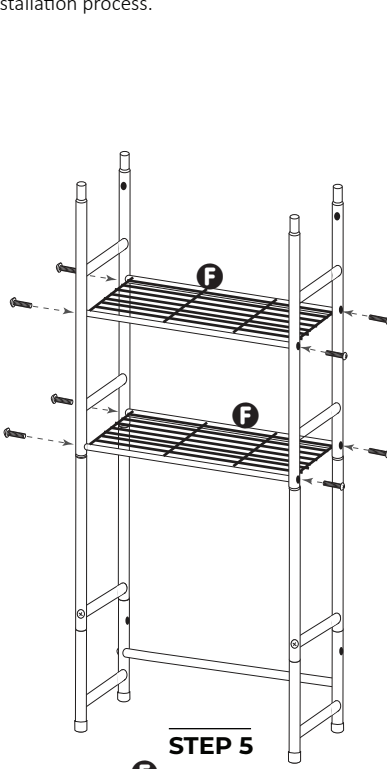
STEP 2



STEP 3

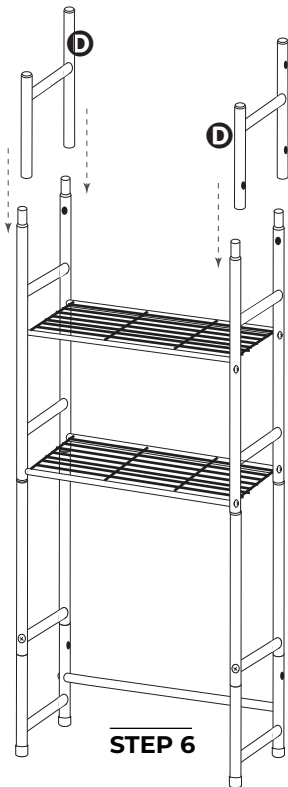


STEP 4

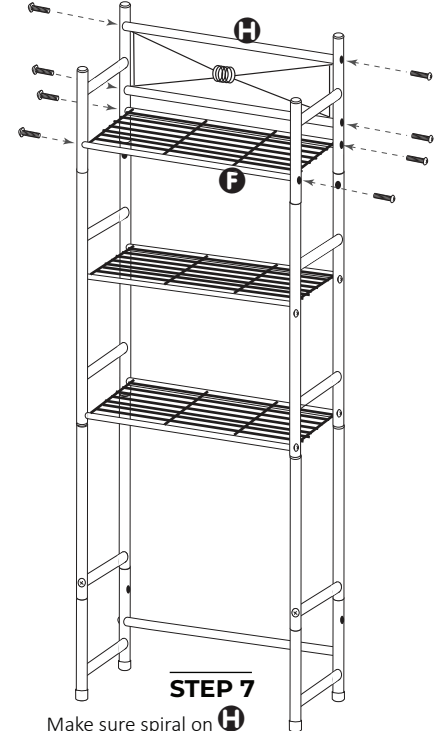


STEP 5

Make sure **F** shelf is facing up



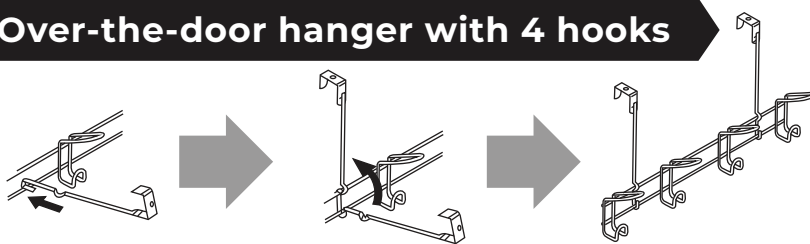
STEP 6



STEP 7

Make sure spiral on **H** face front

Over-the-door hanger with 4 hooks



Toilet paper holder & dispenser

