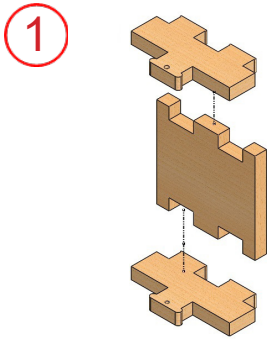


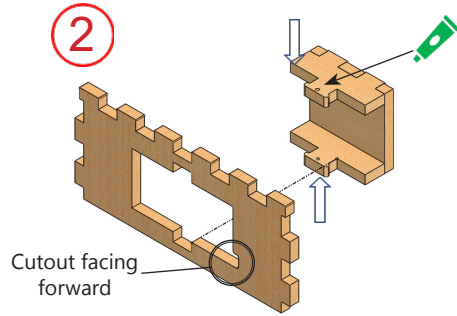
# UKIDZ Display Box for Mechanical Theater Assembly Instructions.



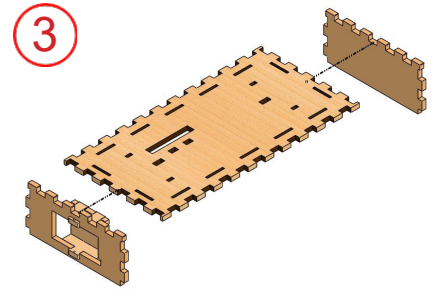
(glue and AA batteries are not provided. Remove masking tape from wood and plastic prior to assembly)



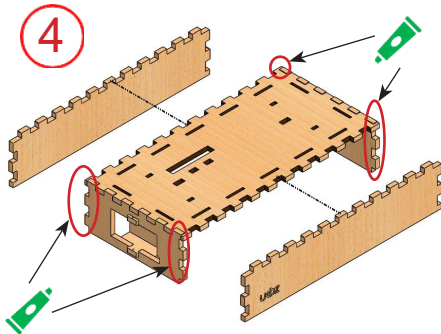
Assemble battery compartment.



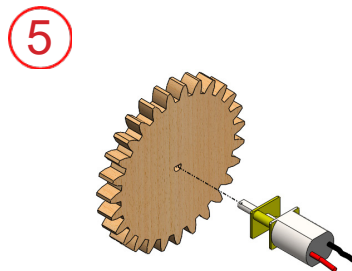
Light squeeze top and bottom plates, insert pre-assembled compartment into slots of side plate. If needed, apply small drop of glue at top connection point.



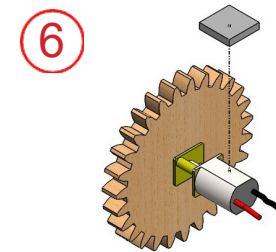
Slide side plates into the top plate.



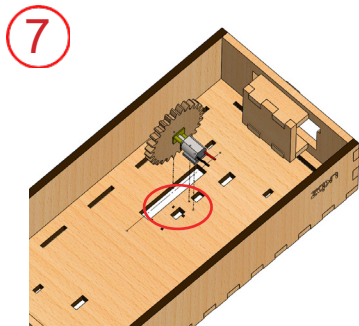
Slide Front and Back plates, if needed, apply small drop of glue at connection points to hold parts in place



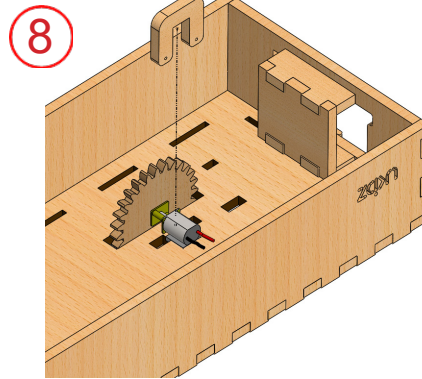
Push gear as far as it can go onto the motor axle (match Flat surfaces)



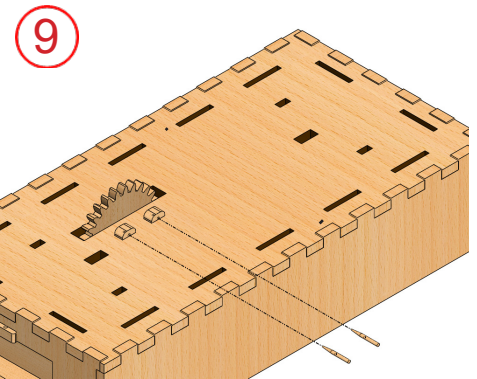
Pull out protective film from one side of double-sided tape and apply it on Flat surface of the motor.



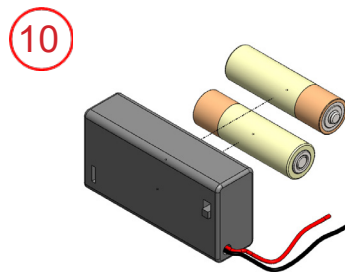
Pull out protective film from other side of double-sided tape and attach motor from inside of box, positioning gear in the center and keeping parallel to sides of the slot.



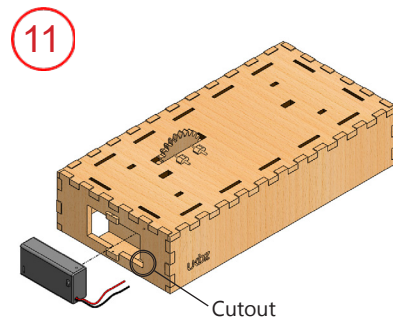
Insert motor clamp.



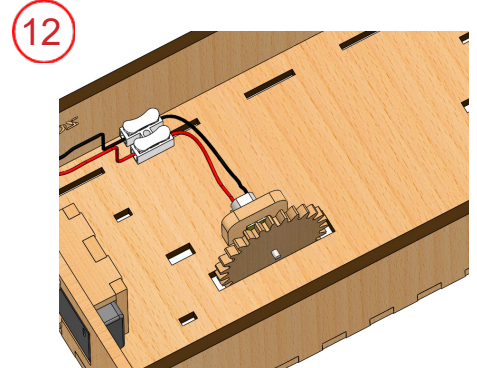
Lock the motor clamp with part of toothpicks



Remove back cover of batteries holder and insert two AA batteries (not provided) following electrical polarity, replace back cover.

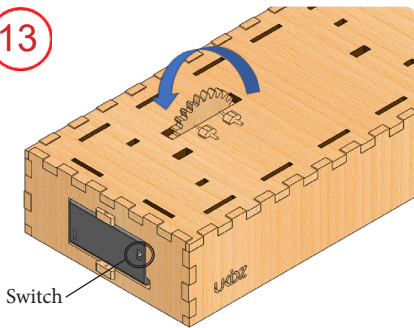


Place batteries holder into the compartment with wires going in first through cutout.



Connect battery holder and motor wires with connector.

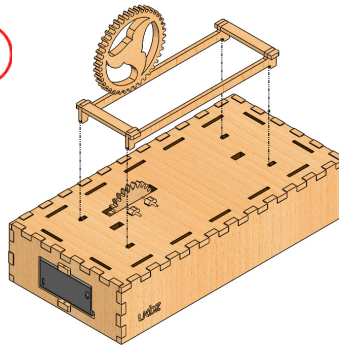
13



Switch

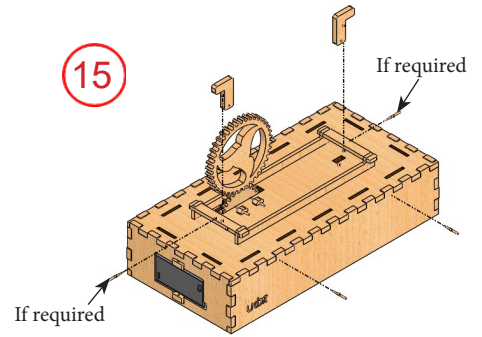
Turn on switch to check gear rotation. Proper direction is counterclockwise. To change direction, flip wires on one side of connector.

14



Check free rotation of sprockets in theater model and install it on top plate.

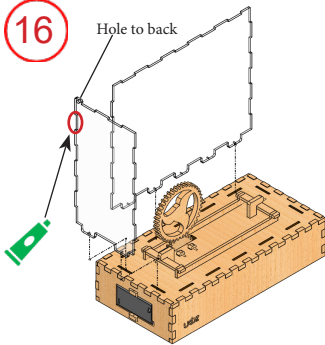
15



If required

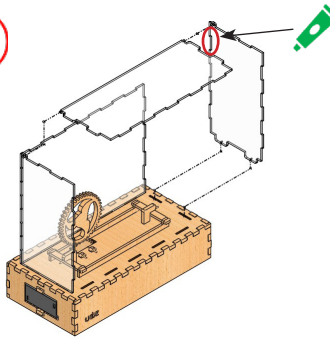
Insert theater clamps and fix them with part of toothpicks, if theater is not fixed well on top plate, add parts of toothpicks between clamps and theater horizontal bars space.

16



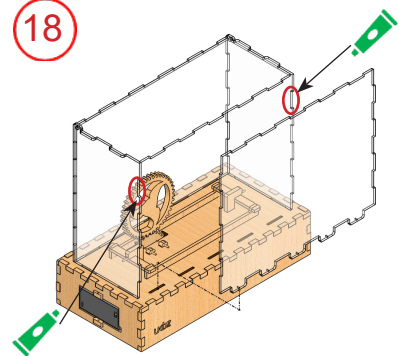
Remove masking tape from both sides of plexiglass parts. Insert Back and Left side parts into the slots. Apply glue on top at connection points to hold parts in place

17



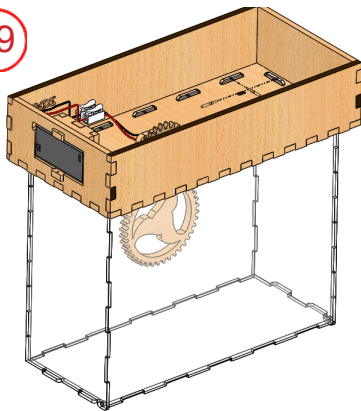
Insert Right side plexiglass part into the slots. Insert top cover into holes of side plates before applying glue on top at connection points.

18



Insert Front plexiglass part into the slots. Apply glue on top at connection points to hold parts in place

19



Carefully turn the box upside down while holding together and secure the plexiglass with parts of toothpicks.

20

If desired, attach connector to front or top plywood panel with double-sided tape (provided). Leave wires, going to batteries holder free to provide possibility to replace batteries.

