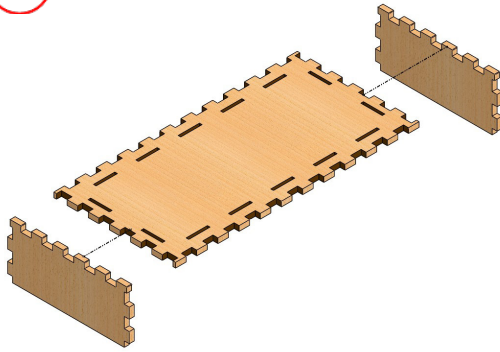


UKIDZ Clear Display Box Assembly Instructions.

(glue is not provided. Remove masking tape from wood and plastic prior to assembly)

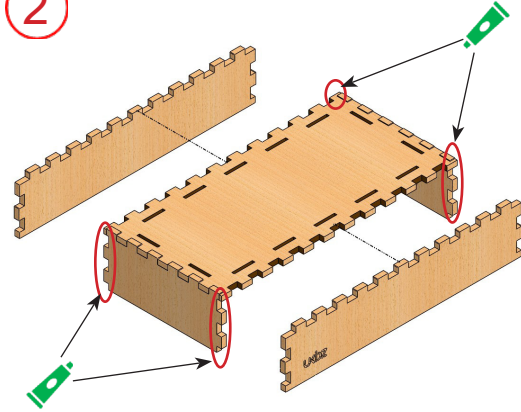


1



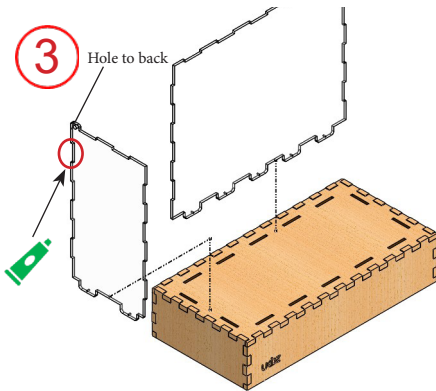
Slide side plates into the top plate.

2



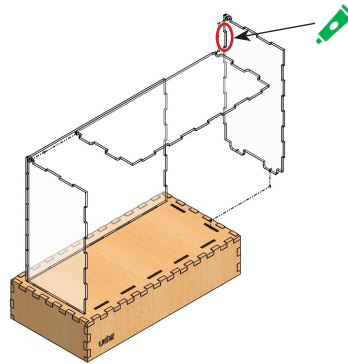
Slide Front and Back plates, if needed, apply small drop of glue at connection points to hold parts in place

3



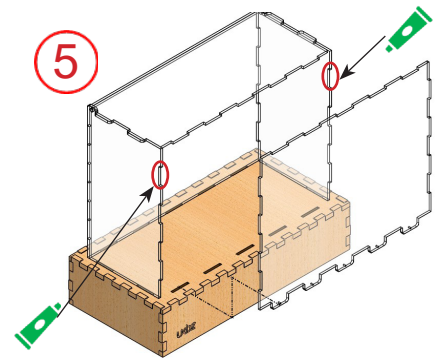
Remove masking tape from both sides of plexiglass parts. Insert Back and Left side parts into the slots. Apply glue on top at connection points to hold parts in place

4



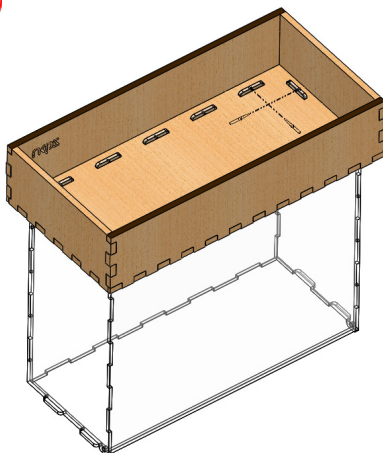
Insert Right side plexiglass part into the slots. Insert top cover into holes of side plates before applying glue on top at connection points.

5



Insert Front plexiglass part into the slots. Apply glue on top at connection points to hold parts in place

6



Carefully turn the box upside down while holding together and secure the plexiglass with parts of toothpicks.

