



2 x
3,5 X 16



a

14 x
M8 x 16



b

8 x
5 X 55



c

1 x
no. 5



d

4x
ø50



e

A/B

2 x
3,5 X 16



a

14 x
M8 x 16



b

8 x
5 X 55



c

1 x
no. 5



d

4x
ø50



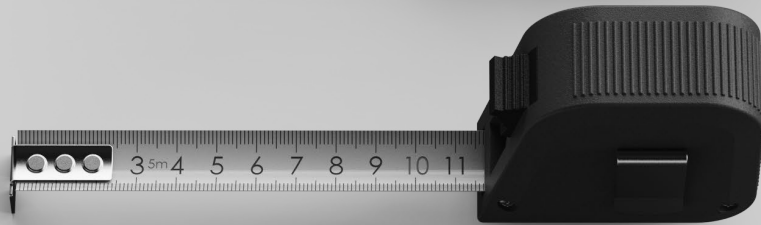
e

2 x
M8 X 45



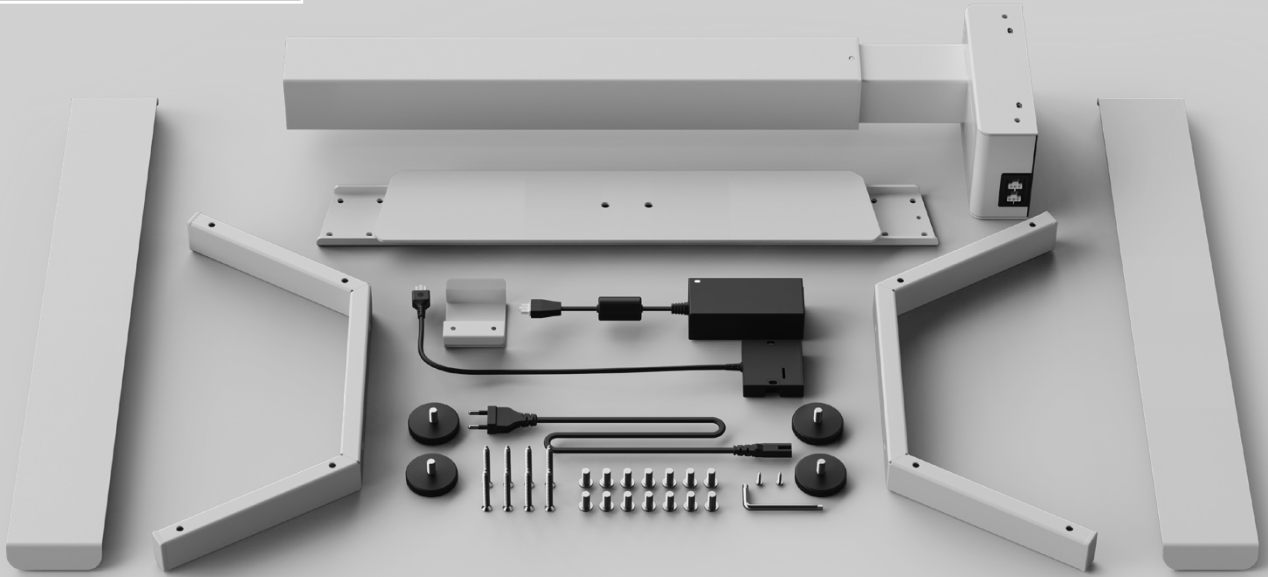
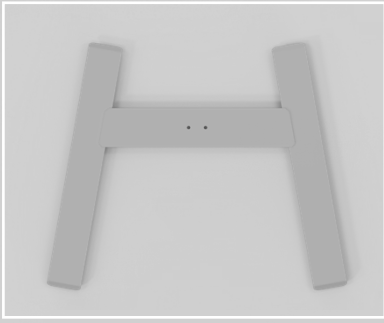
f

C

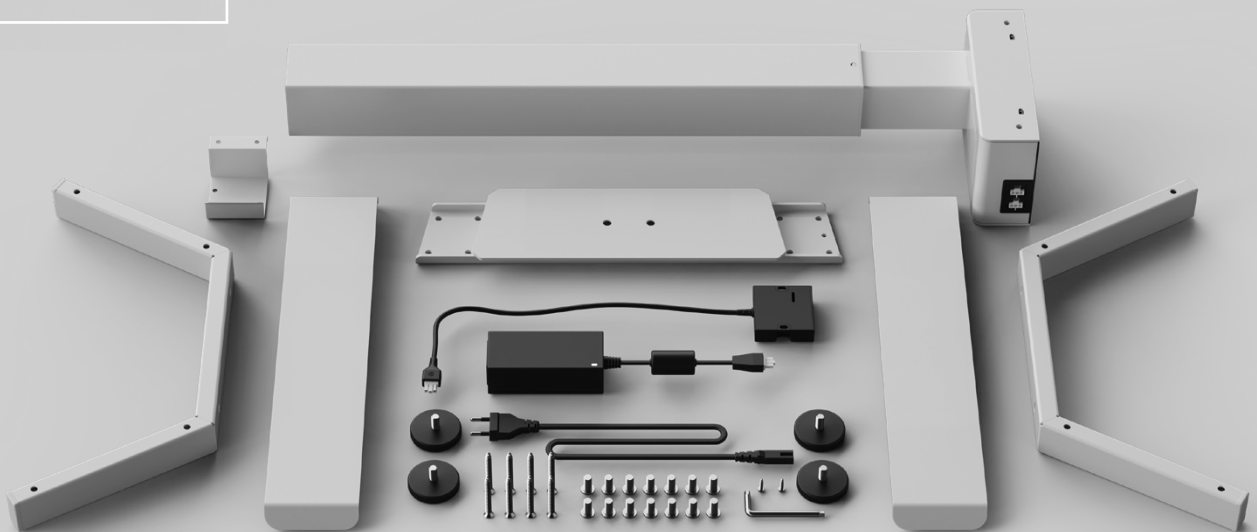
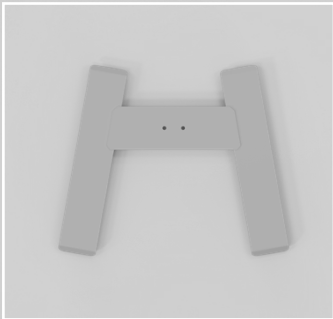


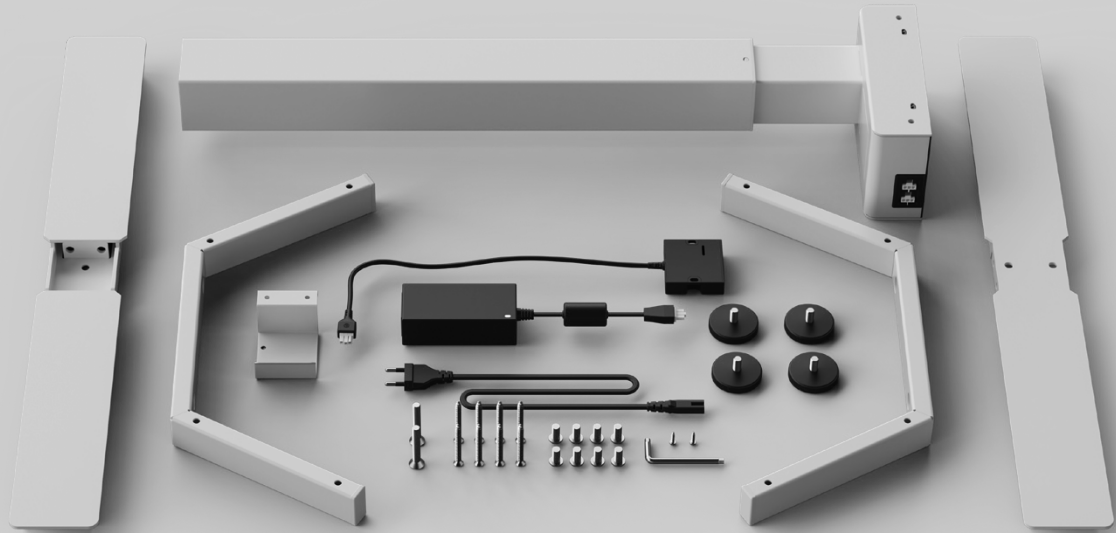
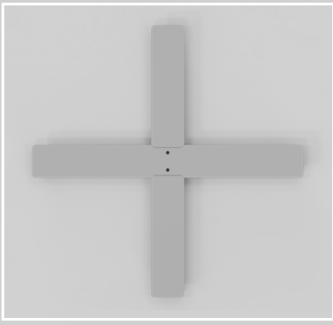
EXTRA TOOLS | 03

A

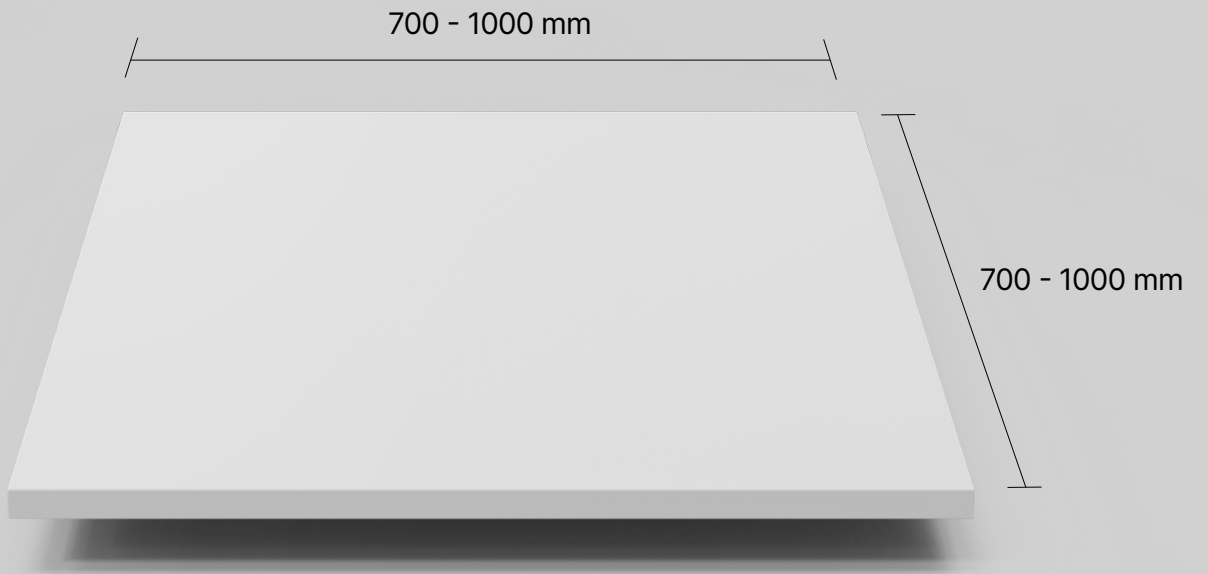


B

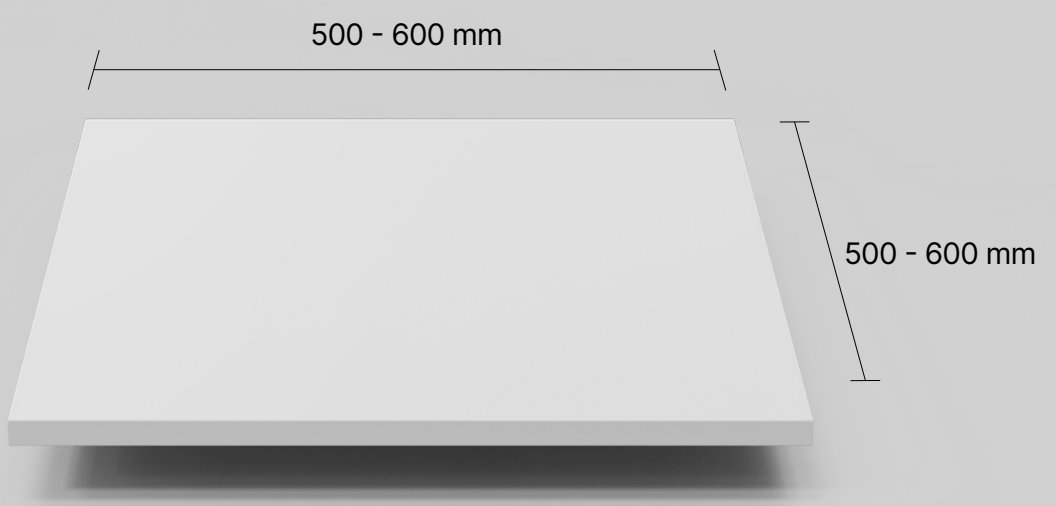




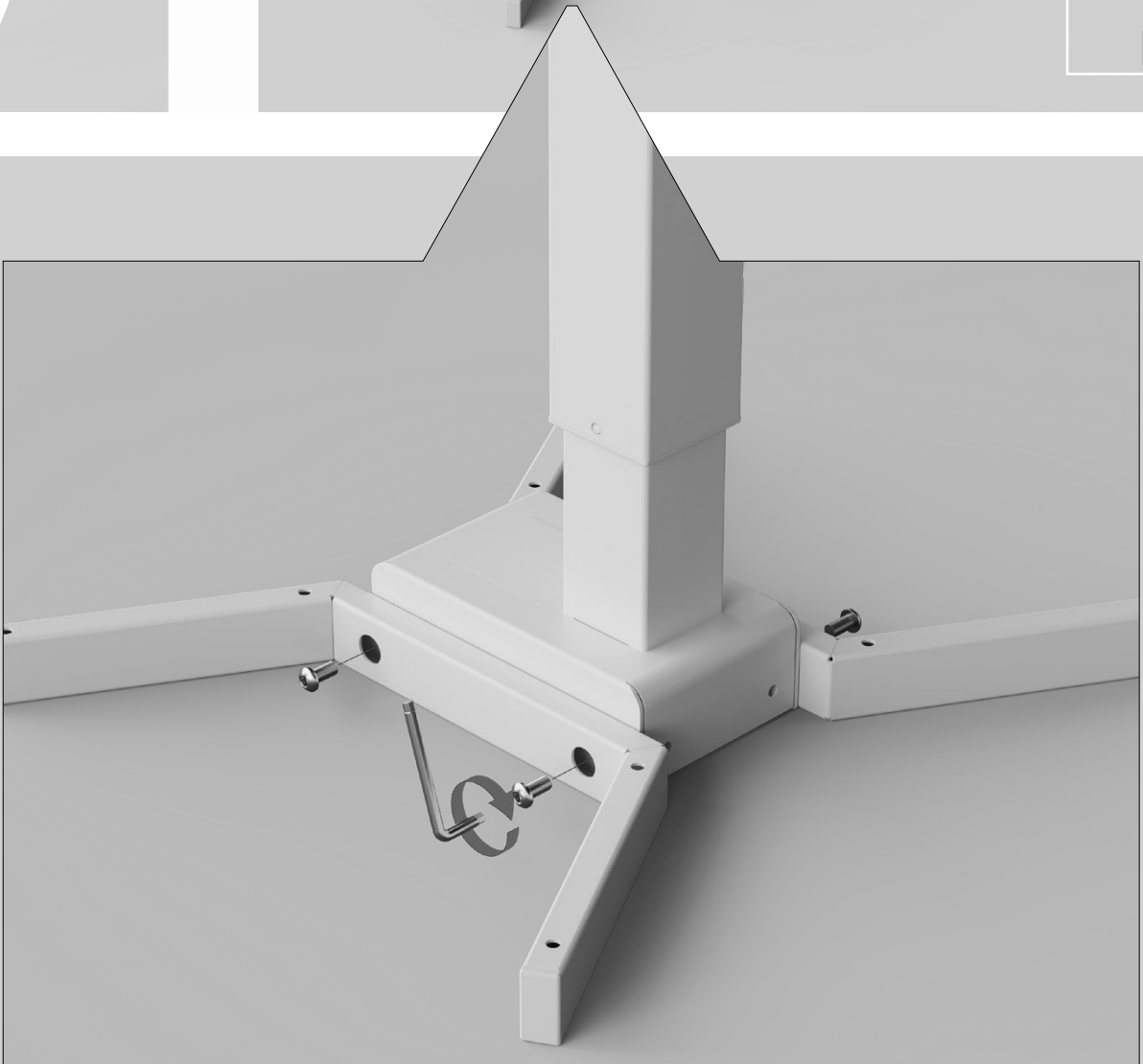
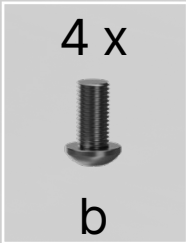
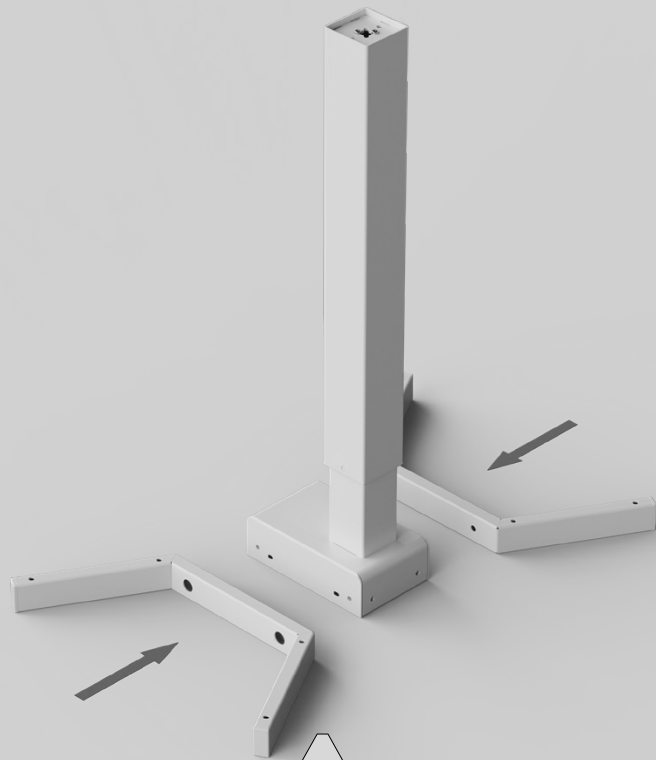
A

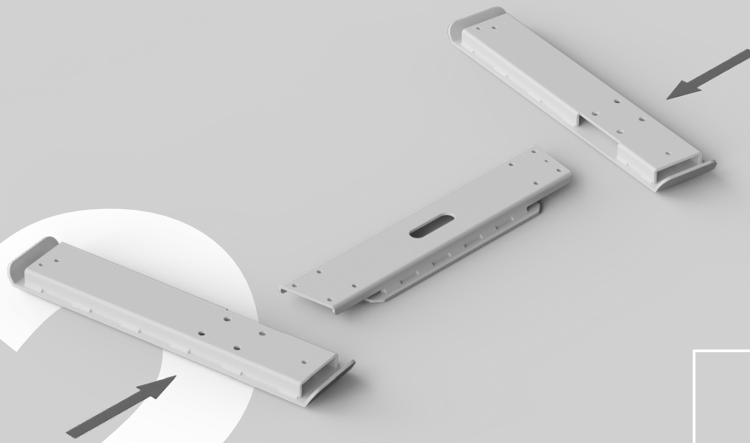


B/C



01





8 x

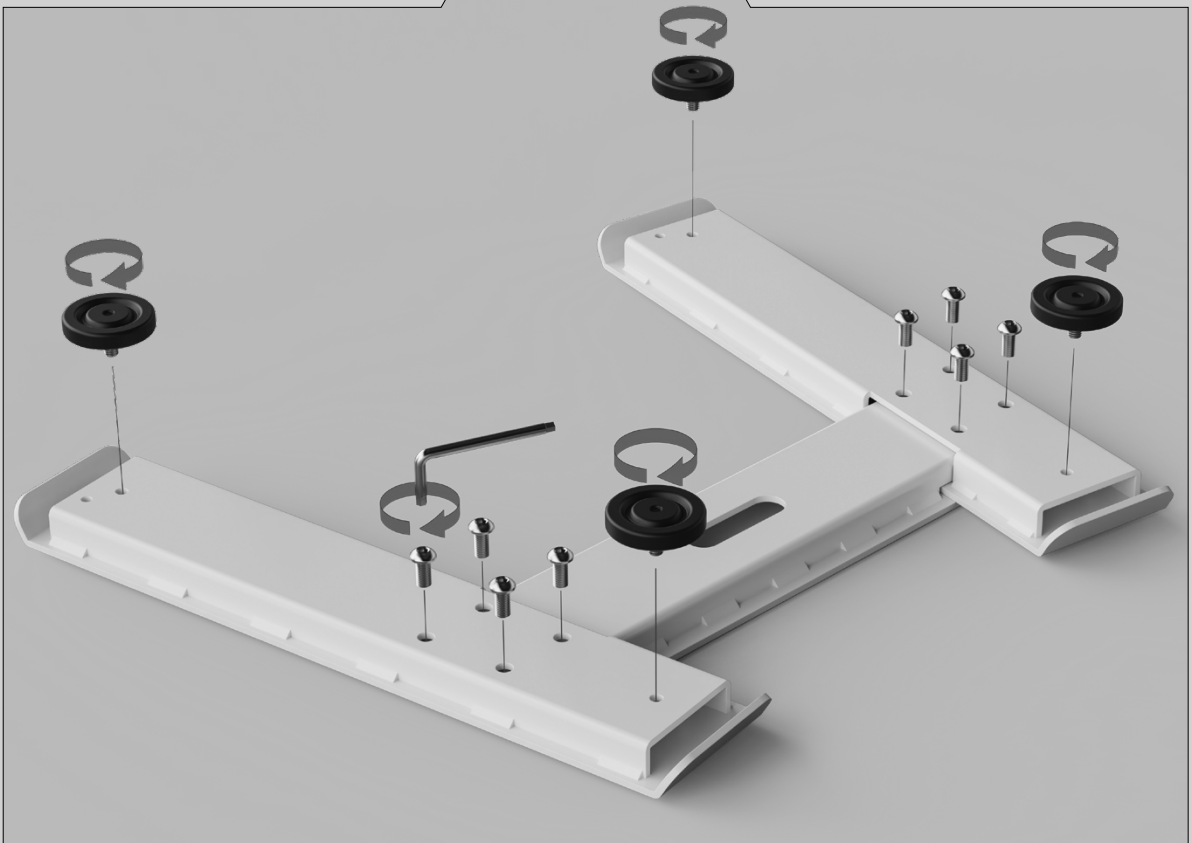


b

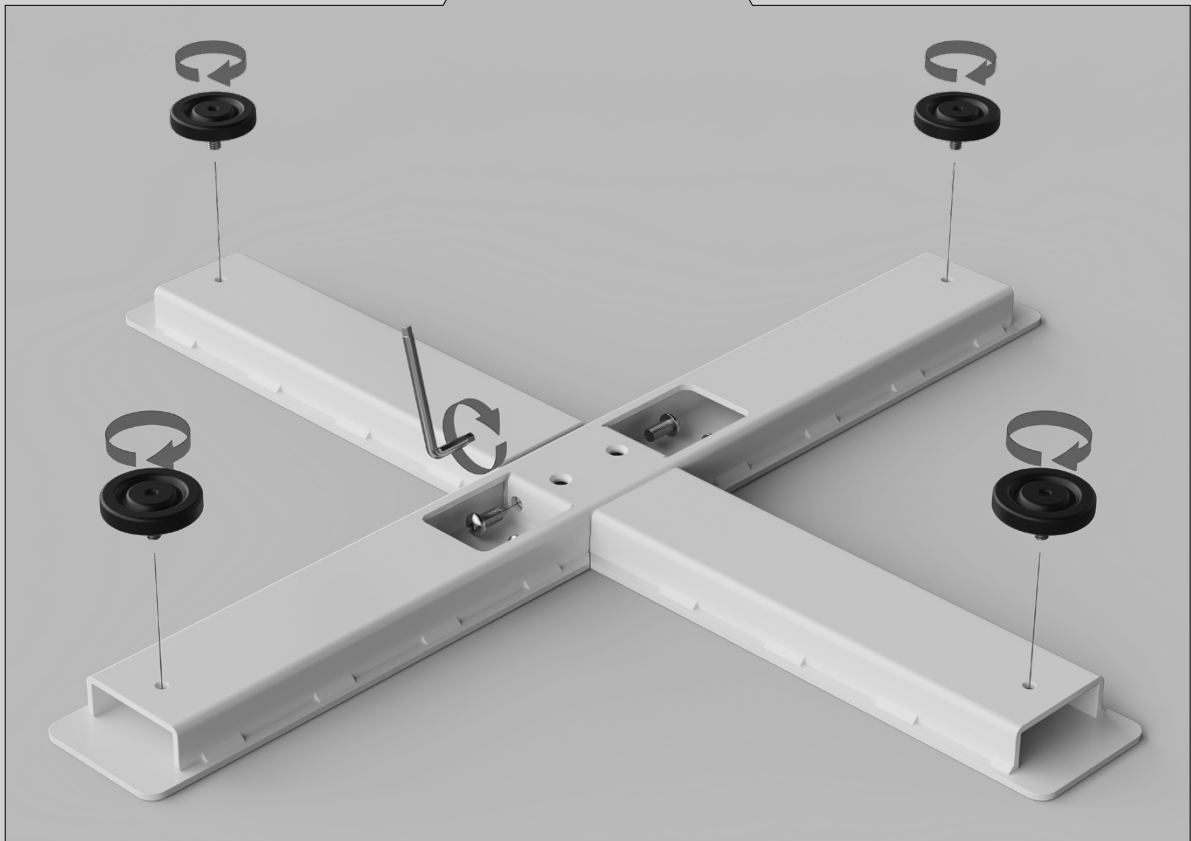
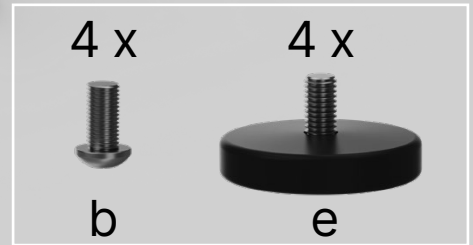
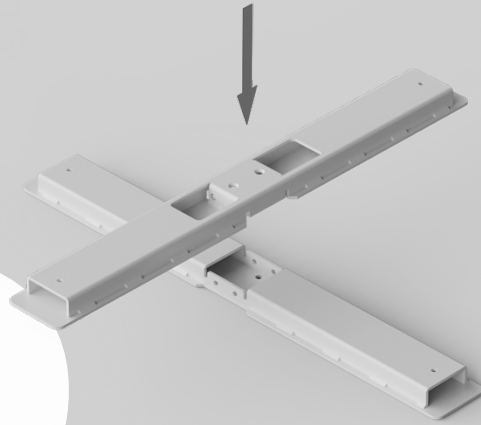
4 x



e

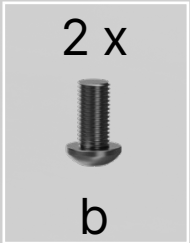


02

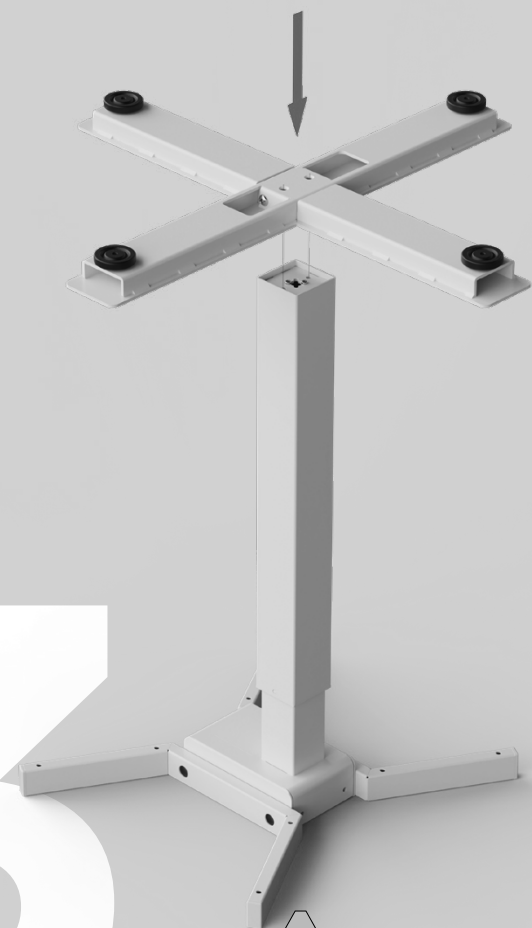




03



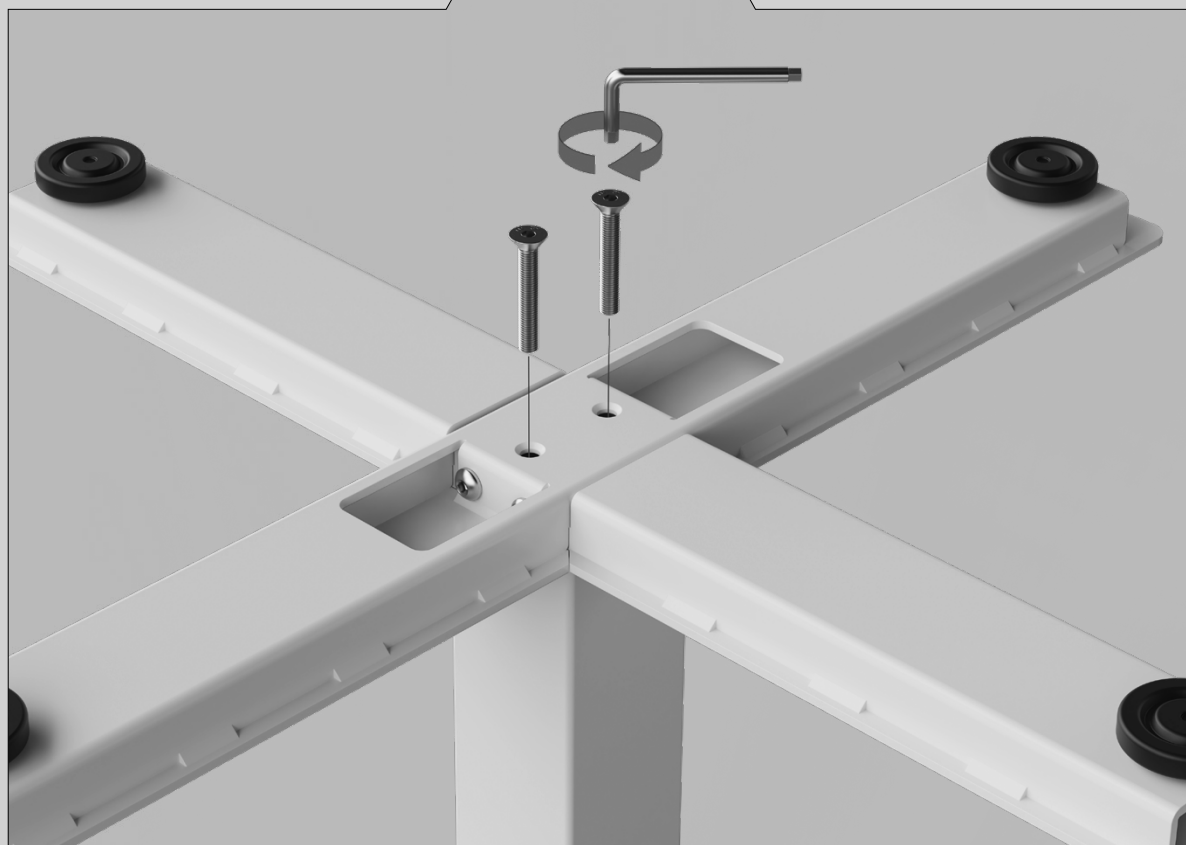
03



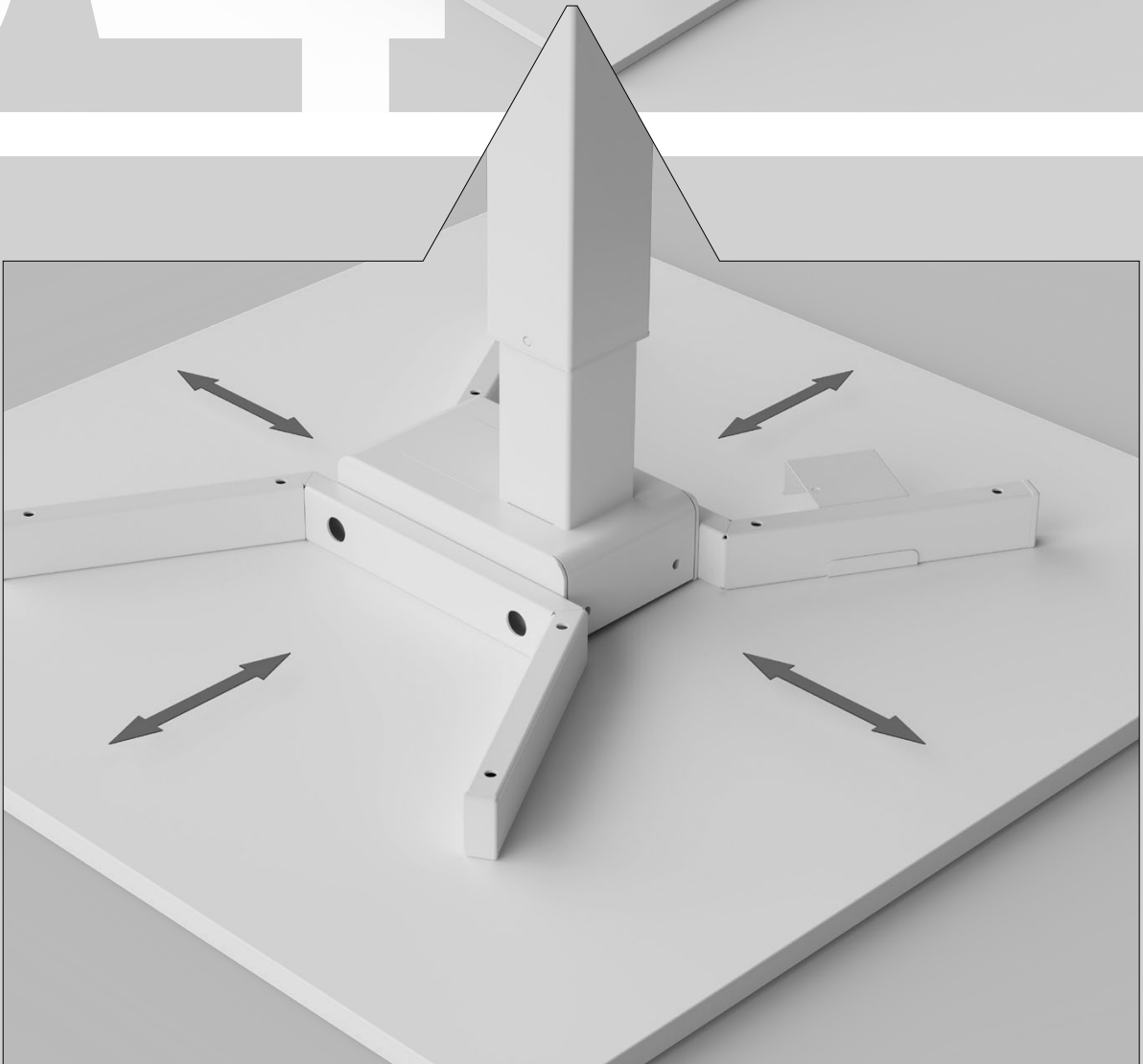
2 x

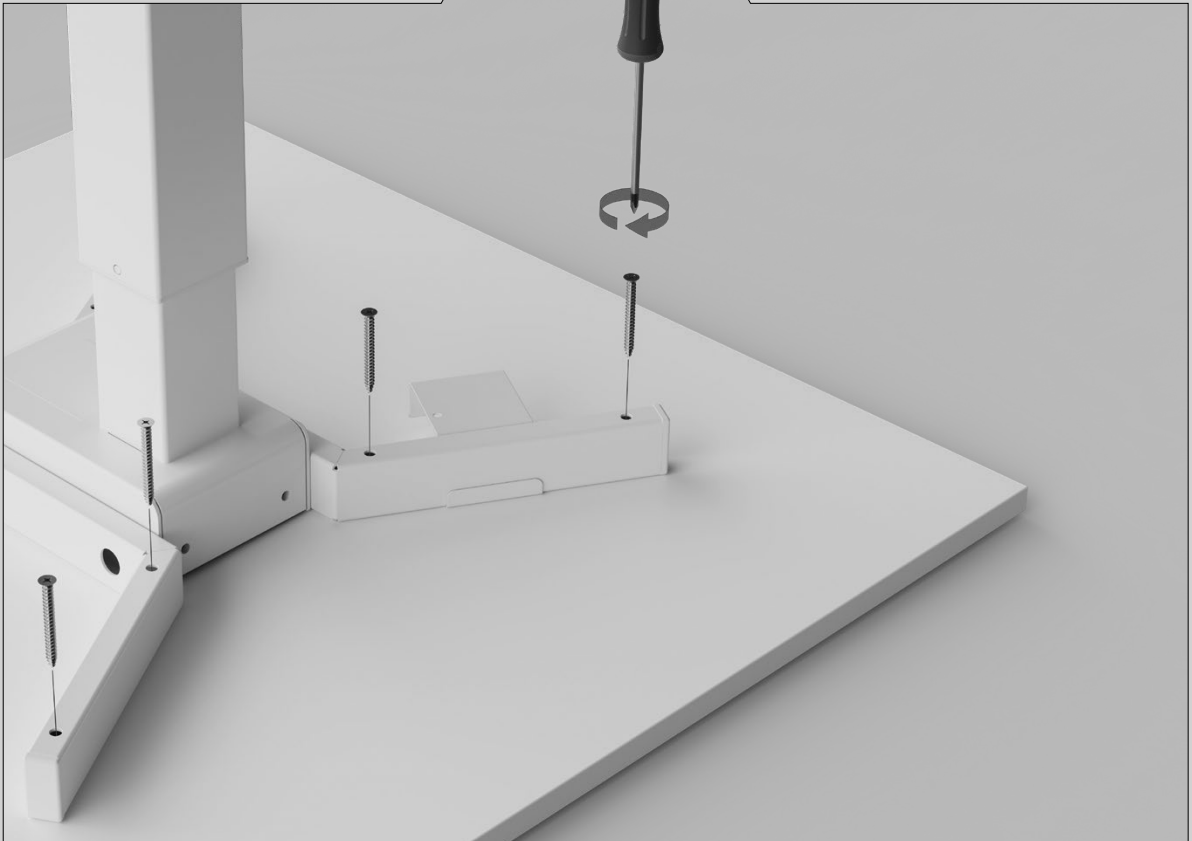


f



04



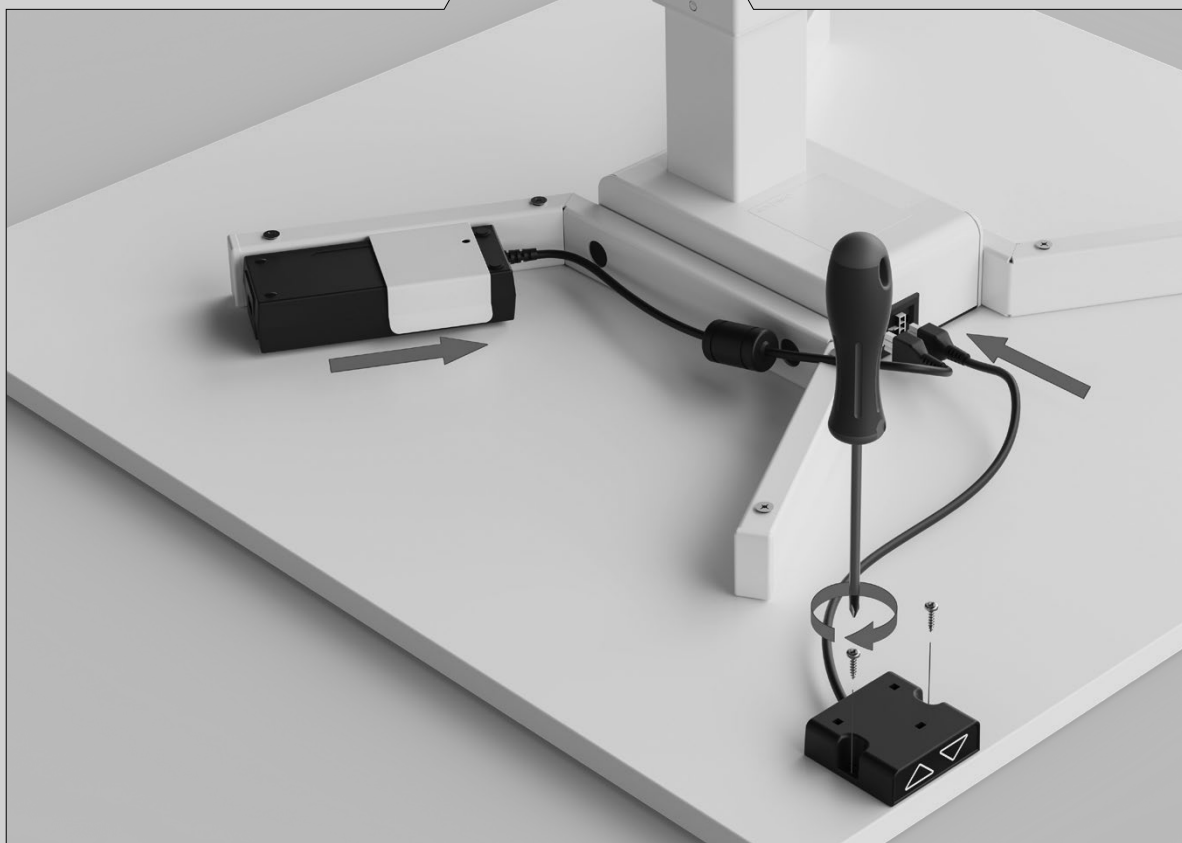


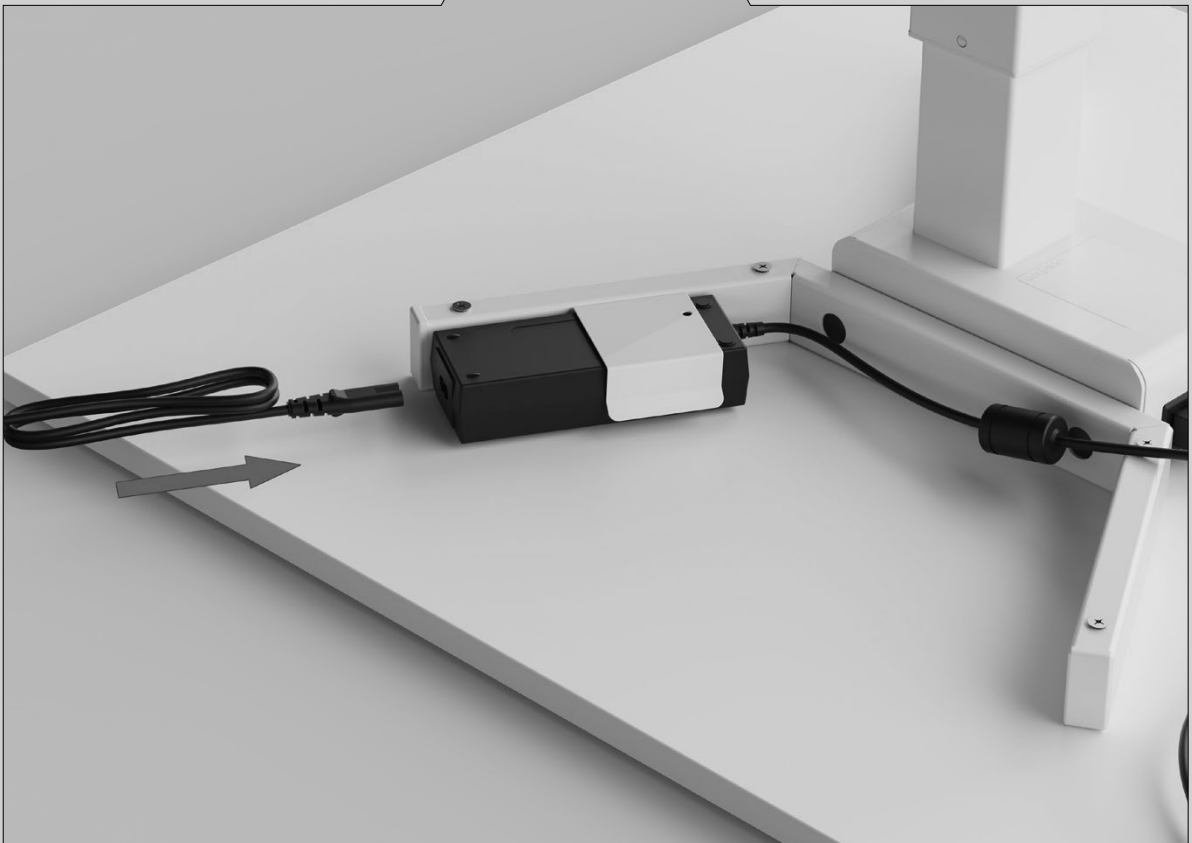


2 x



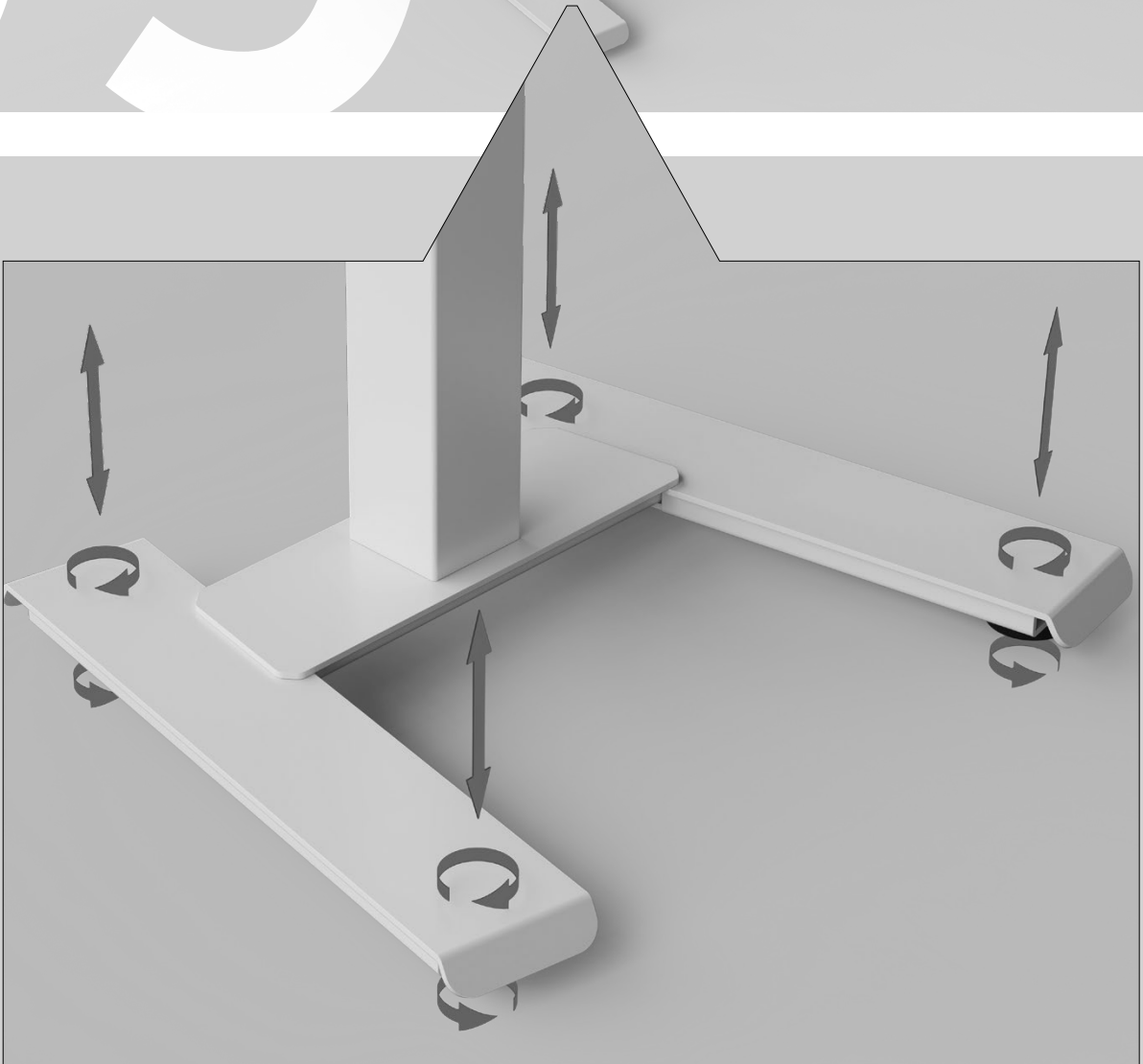
a

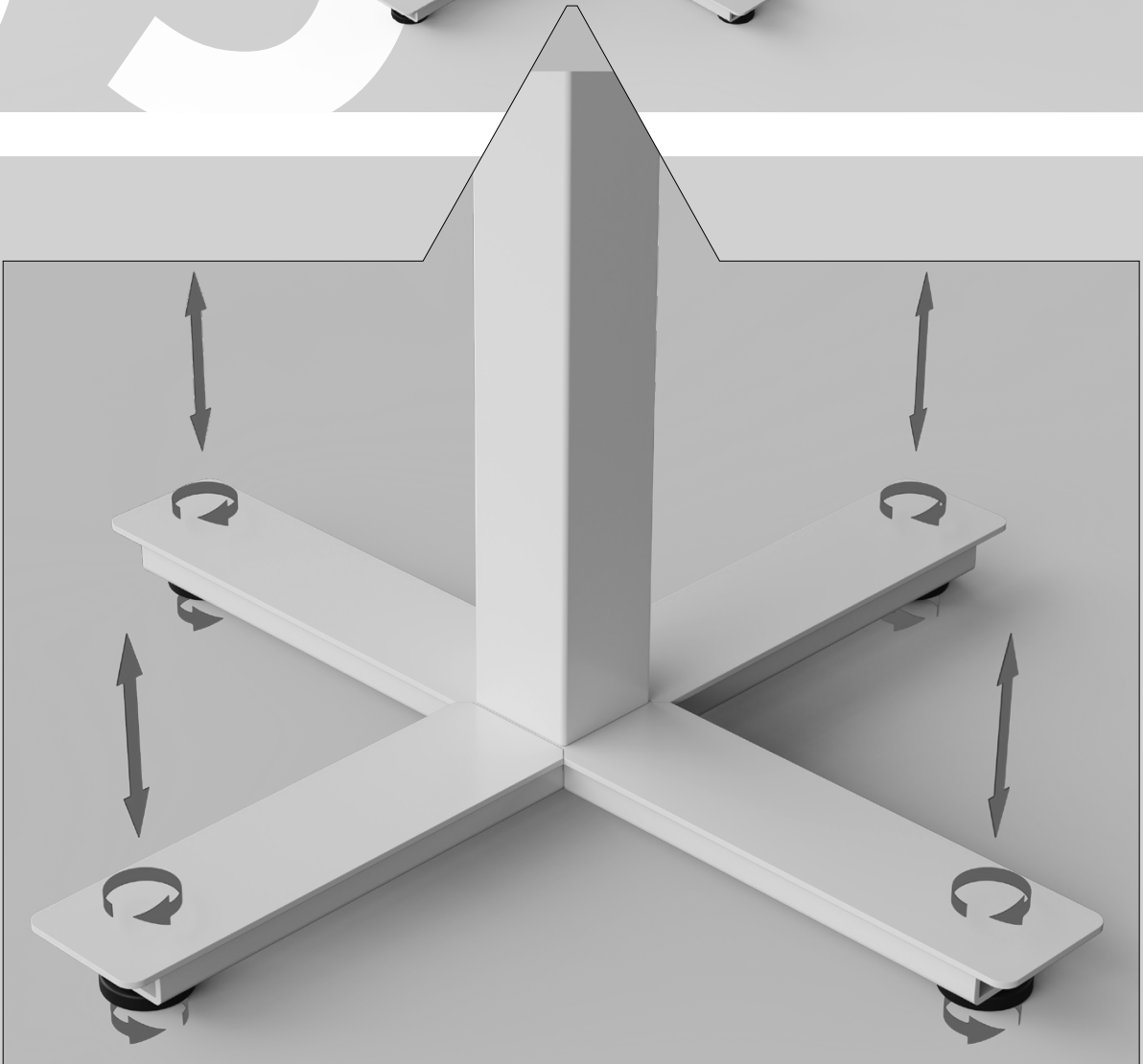
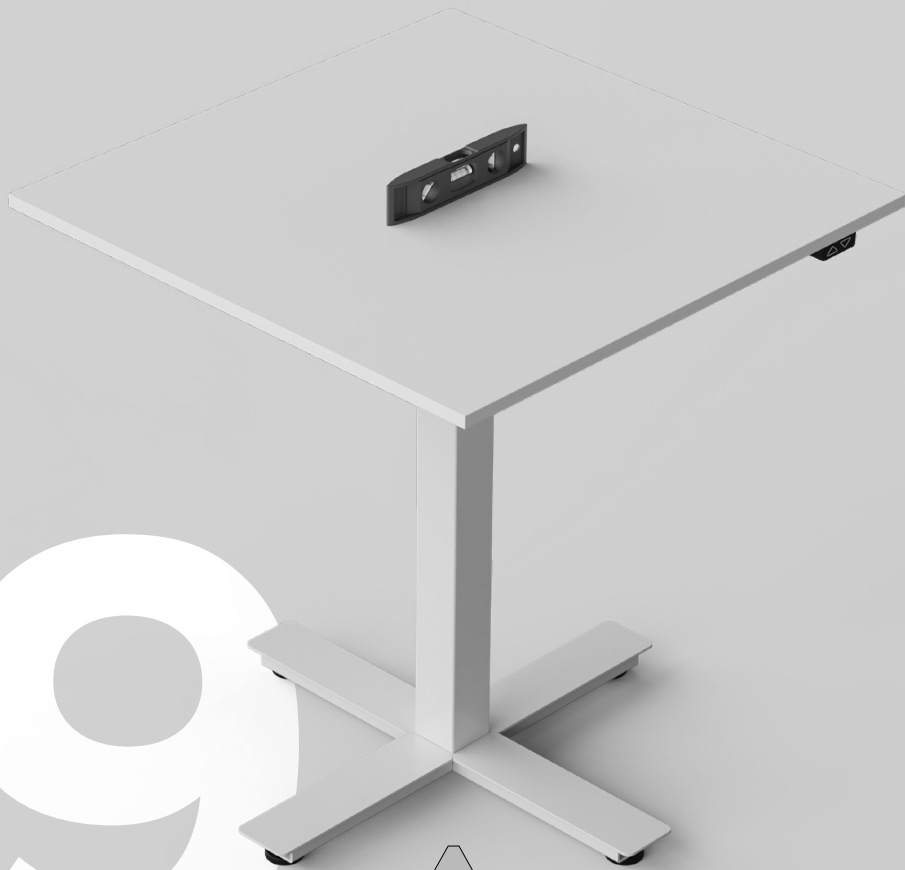


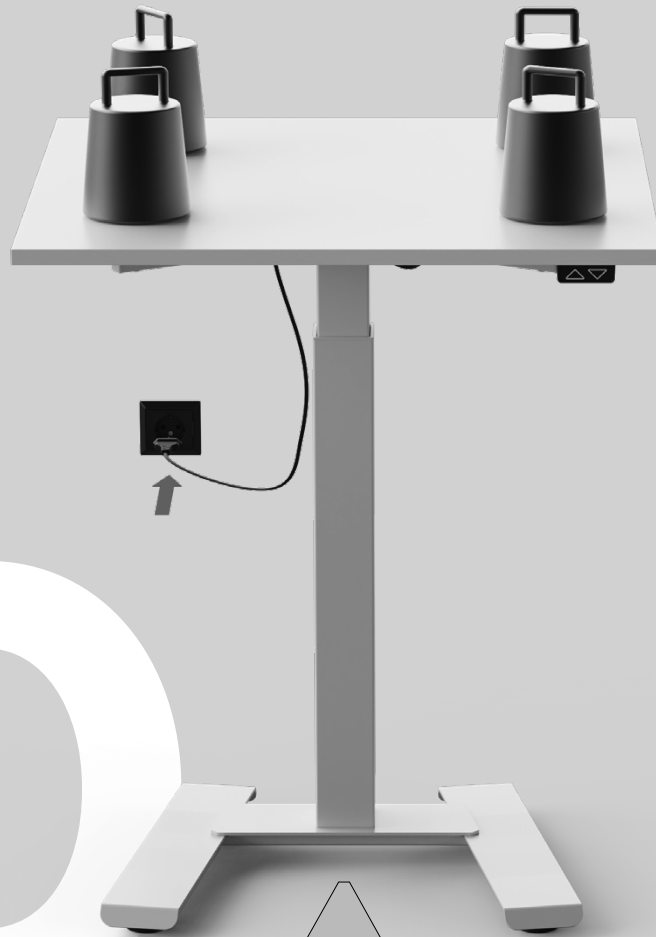




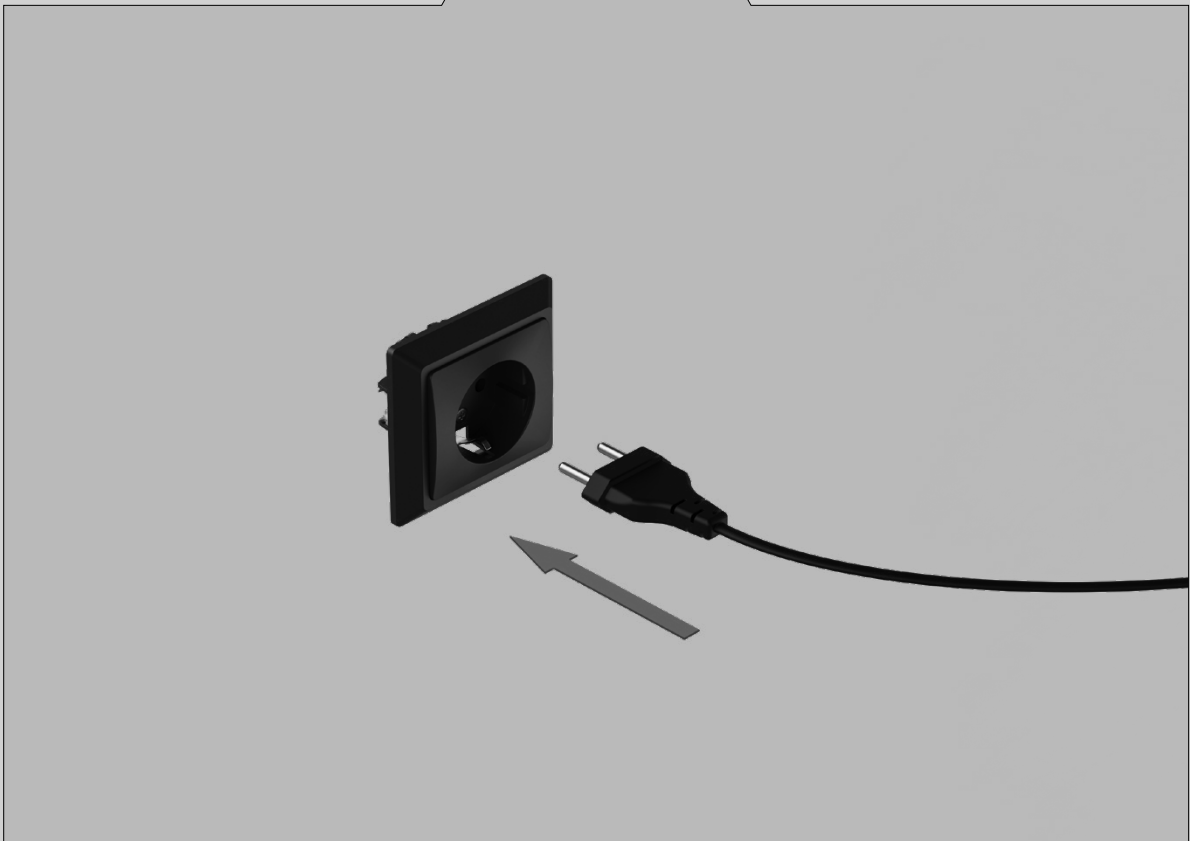
09

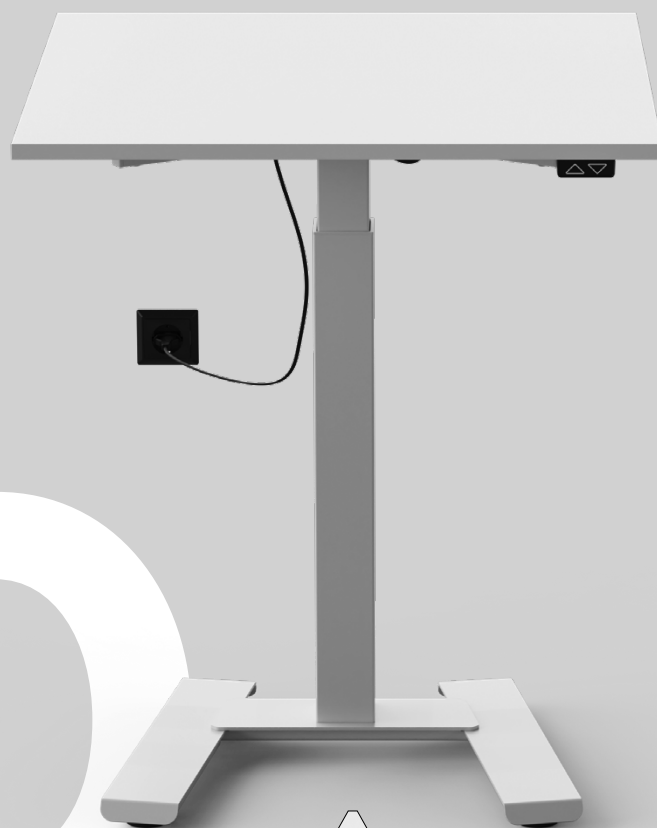






10





10

