

Desk Light

Each layer of glass is handblown and cut with traditional patterns inspired by local Swiss ceramics. The frosted shades help direct even light both horizontally and vertically upon an aluminum frame.

COLLECTION

Heritage, 2020

MATERIALS

Black anodized aluminum frame; frosted glass cones

DIMENSIONS (MM)

314 w x 460 h x 314 d

LEAD TIME

6–8 weeks

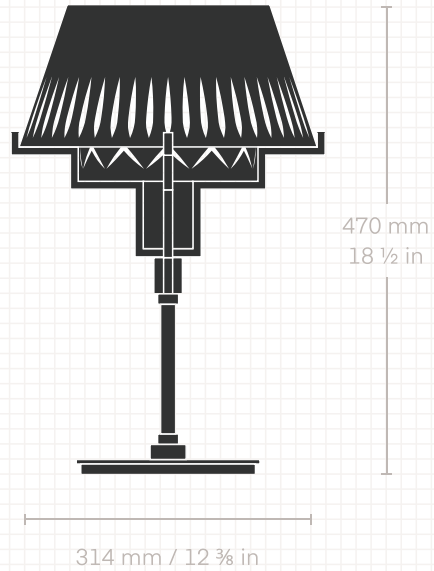


DESK LIGHT, Black Anodized Aluminum Frame with Frosted Glass Cones

Sei+z

studioseitz.com • +1 347 599 1403 • studio@studioseitz.com

©Studio Seitz, LLC. All rights reserved.



Sei+z

studioseitz.com • +1 347 599 1403 • studio@studioseitz.com

©Studio Seitz, LLC. All rights reserved.

