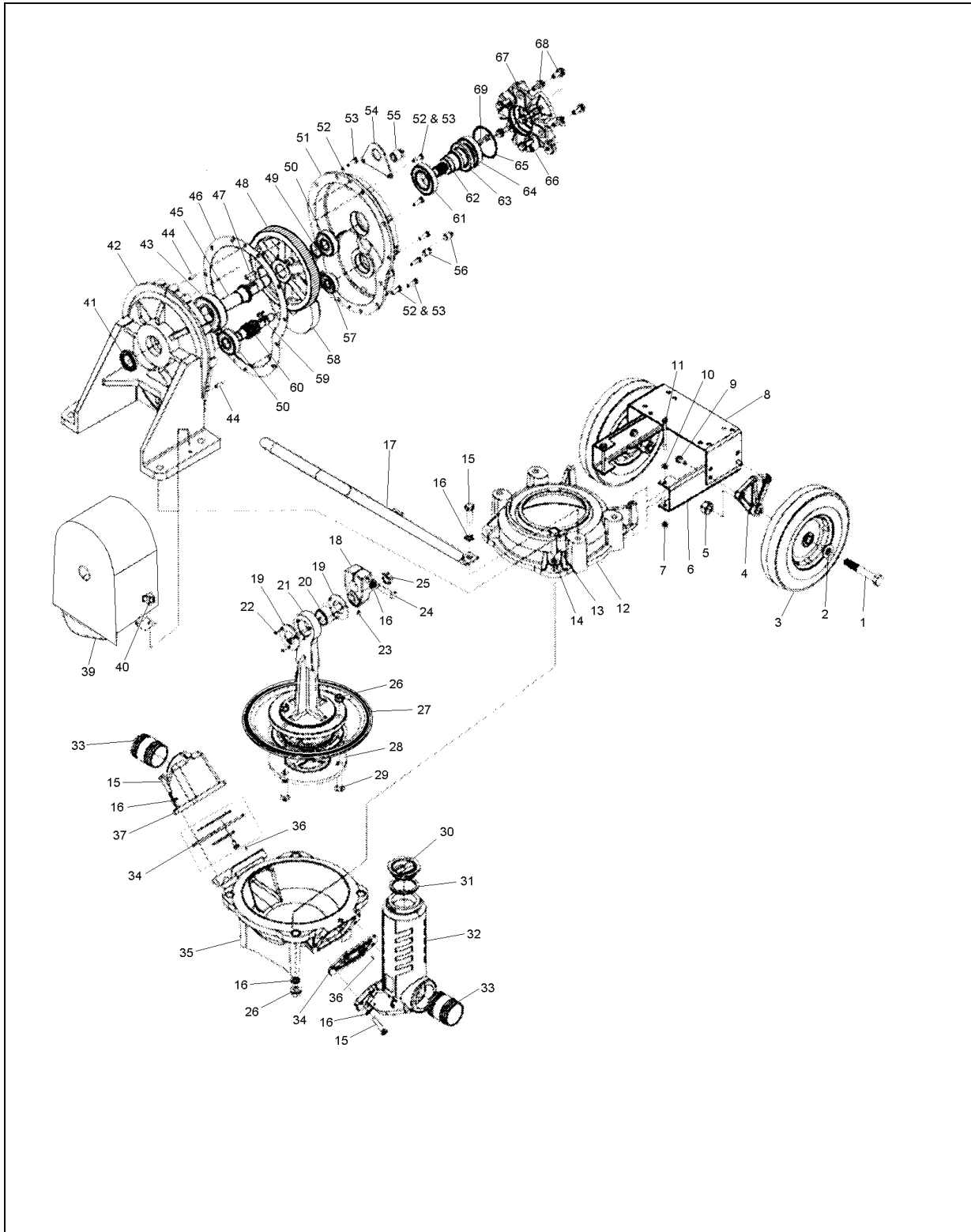


# PARTS DIAGRAM (refer to page 9)



ITEM	DESCRIPTION	PART NO.	QTY.	ITEM	DESCRIPTION	PART NO.	QTY.
1	5/8" Bolt	40-3-777	2	35	Pump well	40-3-781	1
2	5/8" washer	40-3-776	2	36	Retaining pin	40-3-713	2
3	Wheel	40-3-771	2	37	Discharge plate	40-3-703	1
4	Wheel bracket	40-3-772	2	38	N/A	.....	...
5	5/8" nut	40-3-721	2	39	Plunger guard	40-3-778	1
6	Mount brace	40-3-773	2	40	1/4" knob	40-3-740	2
7	1/4" nut	40-3-722	2	41	Oil seal	40-3-741	1
8	Engine mount	40-3-774	1	42	Gear box output half	40-3-742	1
9	5/16" flange bolt	40-3-723	4	43	Output bearing	40-3-743	1
10	1/4" washer	40-3-724	2	44	Dowel pin	40-3-744	2
11	1/4" bolt	40-3-725	2	45	Output shaft	40-3-745	1
12	Pump casing	40-3-784	1	46	Gasket	40-3-746	1
13	1/2" bolt	40-3-726	4	47	Output shaft key	40-3-747	1
14	1/2" washer	40-3-727	4	48	Output gear	40-3-748	1
15	1/2" bolt	40-3-728	8	49	Retaining ring	40-3-749	1
16	1/2" lock washer	40-3-729	16	50	Intermediate bearing	40-3-750	2
17	Handle	40-3-775	1	51	Gear box input half	40-3-751	1
18	Crank	40-3-730	1	52	1/4" lock washer	40-3-752	12
19	Bearing retainer	40-3-731	2	53	1/4" bolt	40-3-753	12
20	Plunger bearing	40-3-732	1	54	Lifting bracket	40-3-754	1
21	Plunger arm	40-3-706	1	55	1/2" plug	40-3-755	1
22	No.10 machine screw	40-3-733	6	56	1/4" plug	40-3-756	2
23	5/16" socket screw	40-3-734	1	57	Idler bearing	40-3-757	1
24	1/2" bolt	40-3-735	1	58	Internal spur gear	40-3-758	1
25	3/4" locknut	40-3-736	1	59	Pinion shaft key	40-3-759	1
26	1/2" nut	40-3-737	7	60	Idler pinion shaft	40-3-760	1
27	Diaphragm	40-3-790	1	61	Input bearing	40-3-761	1
28	Diaphragm retainer	40-3-707	1	62	Input pinion	40-3-762	1
29	1/2" carriage bolt	40-3-738	3	63	Oil seal	40-3-763	1
30	Priming plug	40-3-739	1	64	Sealed input bearing	40-3-764	1
31	Priming plug gasket	40-3-712	1	65	O ring	40-3-765	1
32	Suction priming chamber	40-3-702	1	66	M8 set screw	40-3-766	4
33	2" pipe nipple	40-3-785	2	67	Engine adaptor plate	40-3-767	1
34	Check valve assembly	40-3-791	2	68	5/16" flanged screw	40-3-768	4