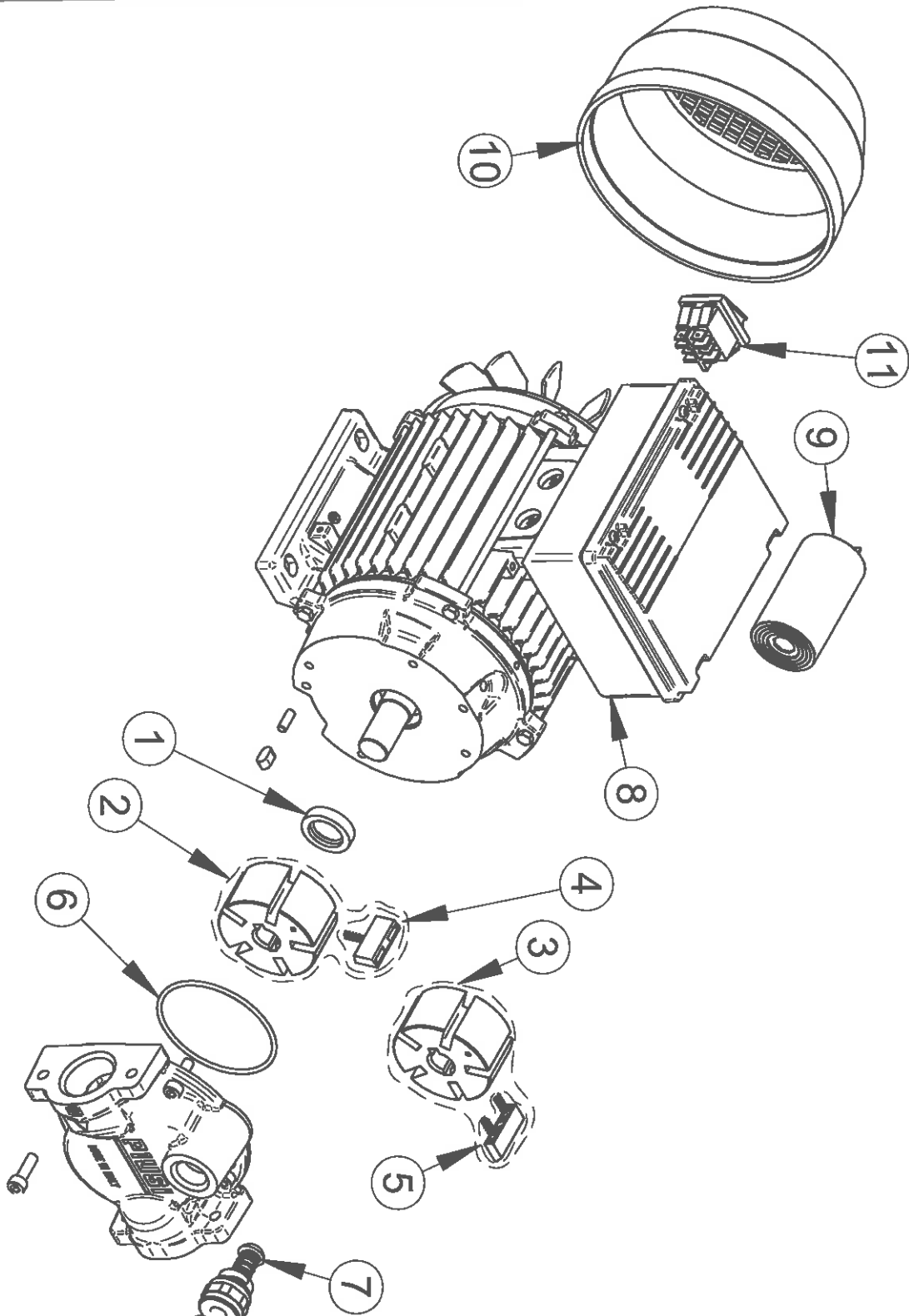


LR_P00025

VISCOMAT 70 / 90

PIUSI
think genius



Spare Parts List cod. F0033490A OIL VISCOMAT 70 M

Pos.	Material Code	Description	QT	UN
0001	R08772000	KIT SEAL BABSL 20/30/7 IN VITON	1	PC
0002	R13924000	KIT SPRING + VANES + ROTOR VISCOMAT 70	1	PC
0004	R13926000	KIT SPRING + VANES VISCOMAT 70	1	PC
0006	R06710000	KIT SEAL ORING 3275	1	PC
0007	R0828300A	KIT ADJUSTING VALVE VISC. 70/90	1	PC
0008	R0819600A	KIT TERMINAL BOX 1HP 230V \ 50HZ	1	PC
0009	R08194000	KIT CONDENSER 25uF MOTOR 1 HP	1	PC
0010	R08182000	KIT FAN COVER MOTOR MEC 80	1	PC
0011	R16657000	2POLES SWITCH COMELUX MD 4010 I 3502 B01	1	PC

Spare Parts List cod. 000339900 OIL VISCOMAT 70 110V/50HZ

Pos.	Material Code	Description	QT	UN
0001	R08772000	KIT SEAL BABSL 20/30/7 IN VITON	1	PC
0002	R13924000	KIT SPRING + VANES + ROTOR VISCOMAT 70	1	PC
0004	R13926000	KIT SPRING + VANES VISCOMAT 70	1	PC
0006	R06710000	KIT SEAL ORING 3275	1	PC
0007	R0828300A	KIT ADJUSTING VALVE VISC. 70/90	1	PC
0008	R0819600A	KIT TERMINAL BOX 1HP 230V \ 50HZ	1	PC
0009	R08194000	KIT CONDENSER 25uF MOTOR 1 HP	1	PC
0010	R08182000	KIT FAN COVER MOTOR MEC 80	1	PC
0011	R16657000	2POLES SWITCH COMELUX MD 4010 I 3502 B01	1	PC

Spare Parts List cod. F00303M00 VISCOMAT 90 M 230V/50HZ

Pos.	Material Code	Description	QT	UN
0001	R08772000	KIT SEAL BABSL 20/30/7 IN VITON	1	PC
0003	R13925000	KIT BLADES + SPRING + ROTOR VISCOMAT 90	1	PC
0005	R12662000	KIT VANES WITH SPRINGS VISCOMAT 90	1	PC
0006	R06710000	KIT SEAL ORING 3275	1	PC
0008	R0819600A	KIT TERMINAL BOX 1HP 230V \ 50HZ	1	PC
0009	R08194000	KIT CONDENSER 25uF MOTOR 1 HP	1	PC
0010	R08182000	KIT FAN COVER MOTOR MEC 80	1	PC
0011	R16657000	2POLES SWITCH COMELUX MD 4010 I 3502 B01	1	PC
0012	R15572000	KIT BYPASS VALVE VISCOMAT 90	1	PC

Spare Parts List cod. 000303000 VISCOMAT 90 T 400V/50HZ

Pos.	Material Code	Description	QT	UN
0001	R08772000	KIT SEAL BABSL 20/30/7 IN VITON	1	PC
0003	R13925000	KIT BLADES + SPRING + ROTOR VISCOMAT 90	1	PC
0005	R12662000	KIT VANES WITH SPRINGS VISCOMAT 90	1	PC
0006	R06710000	KIT SEAL ORING 3275	1	PC
0007	R0828300A	KIT ADJUSTING VALVE VISC. 70/90	1	PC
0008	R0818800A	KIT TERMINAL BOX 1HP 400V \ 50HZ	1	PC
0010	R08182000	KIT FAN COVER MOTOR MEC 80	1	PC