

SURFACE CENTRIFUGAL

VS

VERTICAL MULTI-STAGE



The VS series are vertical multi-stage pumps with hard-faced mechanical seals and all components that are in contact with the liquid constructed in stainless steel. For the pumping of clean water only, they are designed for medium and large water supply applications often found in commercial, municipal and industrial applications. Optional pump control and energy management systems are available (see pages 100 to 101).

The coverage chart here enables a preliminary pump selection to narrow down the choice of pumps that will satisfy the system requirements. Curves and specifications of these pumps are found on subsequent pages.

Operating Conditions: Continuous duty | Max. ambient temperature: 40°C

Fluid: Clean water | Temperature: 0 - 110°C

Application: Pressurisation units | Fire fighting | Washing | Condensate | Water supply | Cooling



VS SERIES

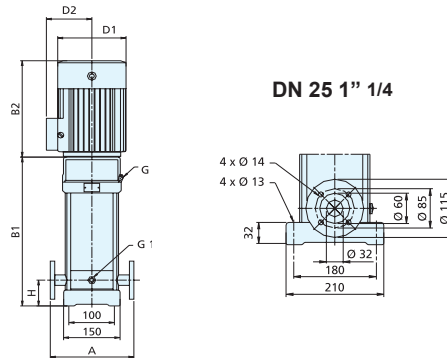
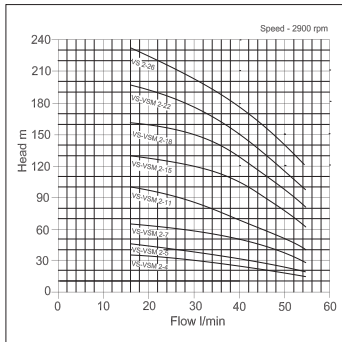
VS Series	Type	Impellers	Body & Casing
	Vertical multi-stage	Closed	Stainless steel

Pump	Base plate	Inlet/outlet casing	Inlet/outlet flanges	Diffusers
	Cast iron	S/S 304	S/S 304	S/S 304
	Impellers	Pump casing	Mechanical seal	Flange bracket (32-42-65)
	S/S 304	S/S 304	Silicon-silicon/Viton	S/S 304
Motor bracket		Shaft		
Cast iron		S/S 304		

Motor	Poles	Enclosure	Insulation
	2 pole	IP55	Class F

VS 2

VERTICAL MULTI-STAGE



item code	model	flange/BSP	kW	volt	flow (l/min)	head (mtrs)	A	H	B1	B2	B1 + B2	D1	D2	weight (kgs)
19-15-1291	VSM2-4	DN25/1 1/4"	0.55	230	56	36	250	75	294	210	504	148	117	34
19-15-1206	VS2-4	DN25/1 1/4"	0.55	400	56	36	250	75	294	210	504	148	117	34
19-15-1126	VSM2-5	DN25/1 1/4"	0.55	230	56	45	250	75	312	210	522	148	117	35
19-15-1119	VS2-5	DN25/1 1/4"	0.55	400	56	45	250	75	312	210	522	148	117	35
19-15-1177	VSM2-7	DN25/1 1/4"	0.75	230	56	63	250	75	358	245	603	170	142	40
19-15-1273	VS2-7	DN25/1 1/4"	0.75	400	56	63	250	75	358	245	603	170	142	40
19-15-1270	VSM2-11	DN25/1 1/4"	1.1	230	56	98	250	75	430	245	675	170	142	41
19-15-1067	VS2-11	DN25/1 1/4"	1.1	400	56	98	250	75	430	245	675	170	142	41
19-15-1159	VSM2-15	DN25/1 1/4"	1.5	230	56	134	250	75	512	290	802	190	155	48
19-15-1292	VS2-15	DN25/1 1/4"	1.5	400	56	134	250	75	512	290	802	190	155	48
19-15-1010	VSM2-18	DN25/1 1/4"	2.2	230	56	161	250	75	566	290	856	190	155	55
19-15-1007	VS2-18	DN25/1 1/4"	2.2	400	56	161	250	75	566	290	856	190	155	55
19-15-1190	VSM2-22	DN25/1 1/4"	2.22	230	56	197	250	75	638	290	928	190	155	58
19-15-1274	VS2-22	DN25/1 1/4"	2.2	400	56	197	250	75	638	290	928	190	155	58
19-15-1232	VS2-26	DN25/1 1/4"	3	400	56	232	250	75	720	315	1035	197	165	65

PREMIUM EFFICIENCY MOTORS (IE3) AVAILABLE FOR MODELS FROM 0.75kW 400v (P.O.A.)