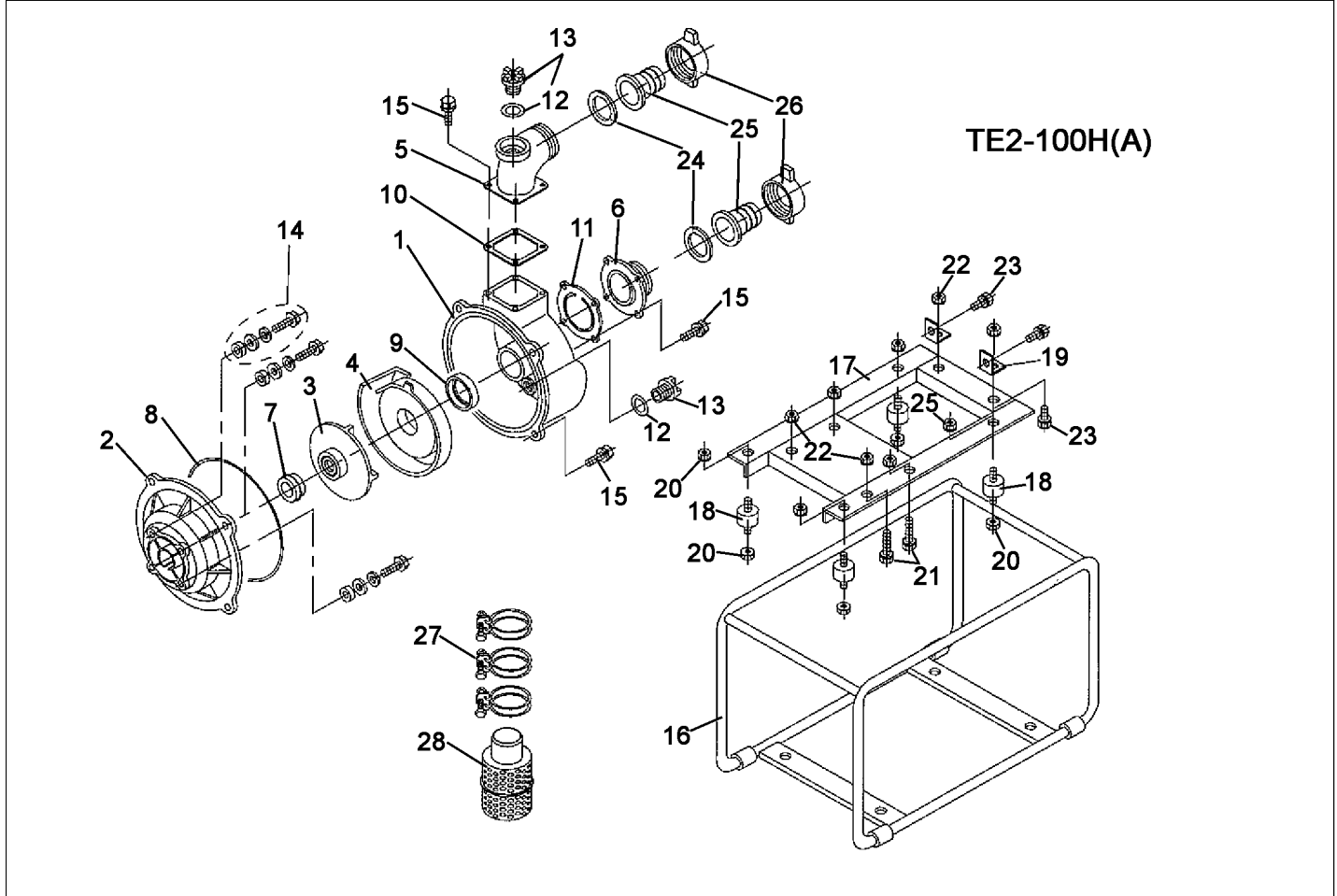
		Quotation		Version-no.	Page: 1
Company name Department Contact person Phone no. Fax-no. Email address					
Pos.no	Quant.	Description	Item no.	UP / EUR	TP / EUR
Spare parts					
		TE2-100H(A)			
1	1	1001-001 Casing (SCL-100)	200-200-280	Price on req.	Price on req.
2	1	1001-004 Casing Cover	200-200-290	Price on req.	Price on req.
3	1	1001-009 Impeller	200-210-140	Price on req.	Price on req.
4	1	1001-011 Inner Casing	200-210-030	Price on req.	Price on req.
5	1	1001-019 Bend (4"PF)	200-200-410	Price on req.	Price on req.
6	1	1001-013 Valve Case (4"PF)	200-200-570	Price on req.	Price on req.
7	1	1001-010 Mechanical Seal (4")	201-100-071	Price on req.	Price on req.
8	1	1001-002 O-Ring (W1517-51)	200-800-190	Price on req.	Price on req.
9	1	1001-012 Packing, Inner Casing	200-900-220	Price on req.	Price on req.
10	1	1001-020 Packing, Bend	200-900-210	Price on req.	Price on req.
11	1	1001-015 Check Valve	200-900-130	Price on req.	Price on req.
12	2	501-021,022 Plug Assy	200-500-040	Price on req.	Price on req.
13	2	501-022 Packing, Plug	200-800-020	Price on req.	Price on req.
14	4	501-005,006,007,008 Casing Bolt Assy	203-000-100	Price on req.	Price on req.
15	12	501-003 Hex. Bolt (M10x30(17) P=2)	203-000-081	Price on req.	Price on req.
16	1	1001-030 Frame (Black)	200-100-130	Price on req.	Price on req.
17	1	1001-031 Base	200-100-420	Price on req.	Price on req.
18	4	1001-032 Anti Vibration Rubber	200-900-370	Price on req.	Price on req.
19	2	1001-034 Metal	200-300-150	Price on req.	Price on req.
20	8	1001-024 Spring Nut (M8)	203-200-030	Price on req.	Price on req.
21	4	1001-023 Hex. Bolt (M10x45 P=2)	203-000-140	Price on req.	Price on req.
22	6	1001-033 Flange Nut (M10)	203-200-020	Price on req.	Price on req.
23	4	1001-014 Hex.Bolt (M10x20 P=2)	203-000-120	Price on req.	Price on req.
24	2	1001-017 Packing, Coupling (4")	200-900-080	Price on req.	Price on req.
25	2	1001-018 Hose Coupling (4")	200-200-590	Price on req.	Price on req.
26	2	1001-016 Coupling Handle (4"PF)	200-200-580	Price on req.	Price on req.
27	3	1001-028 Hose Band (4")	201-000-070	Price on req.	Price on req.
28	1	1001-029 Strainer	201-200-240	Price on req.	Price on req.
				Total	Price on req.
				Total Price	Price on req.
Projektnummer		Referenz		Erstelldatum	Last update
				21.05.2021	21.05.2021

TE2-100H(A)

Kontroll-Nr. --

2021-05-21 V.01.02.2021

Pos.no	Item no.	Description	Quant.	UP
--------	----------	-------------	--------	----



1	200-200-280	1001-001 Casing (SCL-100)	1	Price on req.
2	200-200-290	1001-004 Casing Cover	1	Price on req.
3	200-210-140	1001-009 Impeller	1	Price on req.
4	200-210-030	1001-011 Inner Casing	1	Price on req.
5	200-200-410	1001-019 Bend (4"PF)	1	Price on req.
6	200-200-570	1001-013 Valve Case (4"PF)	1	Price on req.
7	201-100-071	1001-010 Mechanical Seal (4")	1	Price on req.
8	200-800-190	1001-002 O-Ring (W1517-51)	1	Price on req.
9	200-900-220	1001-012 Packing, Inner Casing	1	Price on req.
10	200-900-210	1001-020 Packing, Bend	1	Price on req.
11	200-900-130	1001-015 Check Valve	1	Price on req.
12	200-500-040	501-021,022 Plug Assy	2	Price on req.
13	200-800-020	501-022 Packing, Plug	2	Price on req.
14	203-000-100	501-005,006,007,008 Casing Bolt Assy	4	Price on req.
15	203-000-081	501-003 Hex. Bolt (M10x30(17) P=2)	12	Price on req.
16	200-100-130	1001-030 Frame (Black)	1	Price on req.
17	200-100-420	1001-031 Base	1	Price on req.
18	200-900-370	1001-032 Anti Vibration Rubber	4	Price on req.
19	200-300-150	1001-034 Metal	2	Price on req.
20	203-200-030	1001-024 Spring Nut (M8)	8	Price on req.
21	203-000-140	1001-023 Hex. Bolt (M10x45 P=2)	4	Price on req.
22	203-200-020	1001-033 Flange Nut (M10)	6	Price on req.
23	203-000-120	1001-014 Hex Bolt (M10x20 P=2)	4	Price on req.
24	200-900-080	1001-017 Packing, Coupling (4")	2	Price on req.
25	200-200-590	1001-018 Hose Coupling (4")	2	Price on req.
26	200-200-580	1001-016 Coupling Handle (4"PF)	2	Price on req.
27	201-000-070	1001-028 Hose Band (4")	3	Price on req.
28	201-200-240	1001-029 Strainer	1	Price on req.