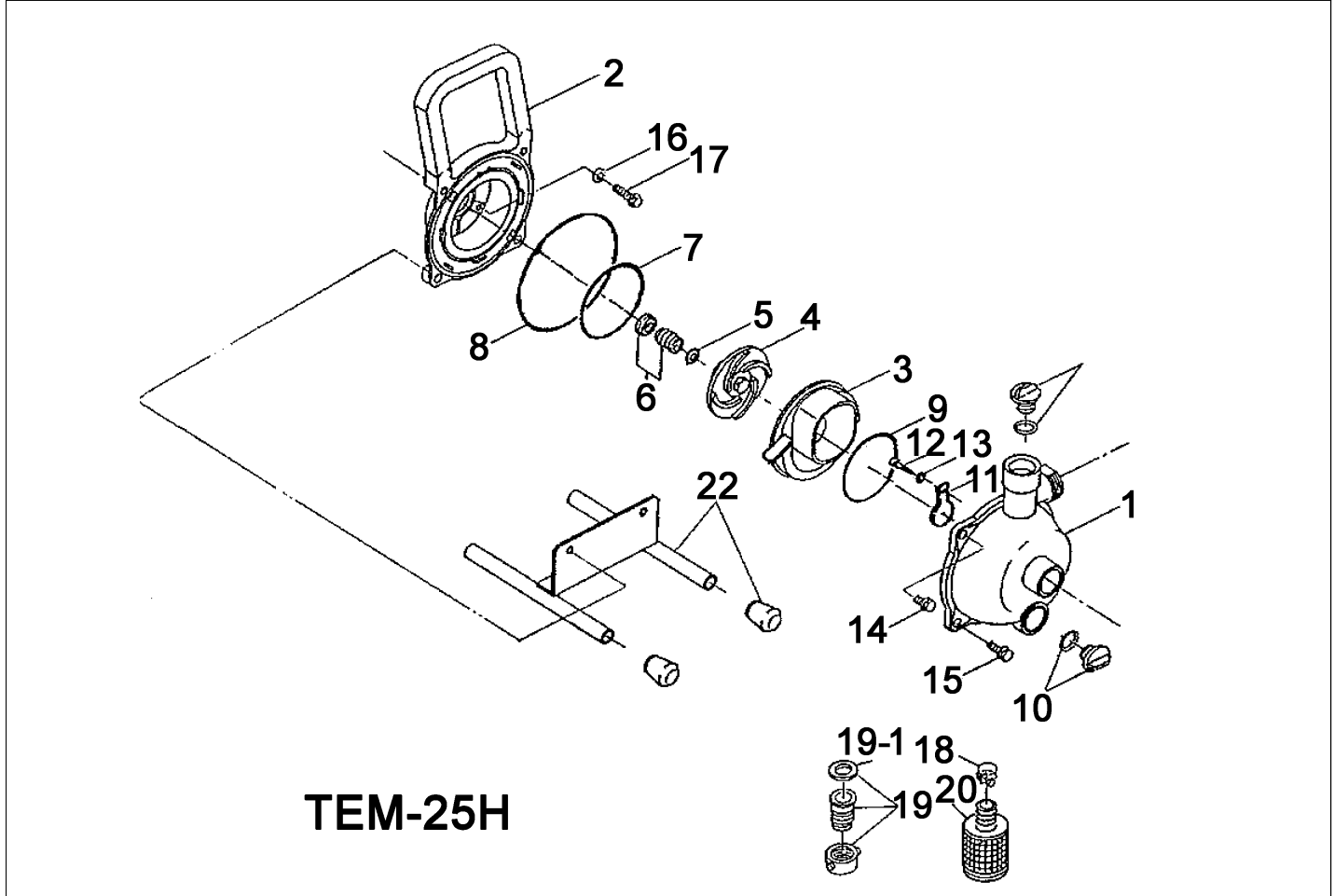
 www.tsurumi.eu		Quotation			Version-no.	Page: 1
Company name Department Contact person Phone no. Fax-no. Email address						
Pos.no	Quant.	Description	Item no.	UP / EUR	TP / EUR	
Spare parts						
		TEM-25H				
1	1	Casing ADC	1133-100010	Price on req.	Price on req.	
2	1	Casing Cover ADC	1133-100020	Price on req.	Price on req.	
3	1	Volute Casing FC	1133-100130	Price on req.	Price on req.	
4	1	Impeller FC	1133-100030	Price on req.	Price on req.	
5	4	Adjust Liner BSP	085283-1208	Price on req.	Price on req.	
6	1	Mechanical Seal Ceramic+Carbon	080311-1908	Price on req.	Price on req.	
7	1	O-Ring NBR	048220-0950	Price on req.	Price on req.	
8	1	O-Ring NBR	048131-1200	Price on req.	Price on req.	
9	1	O-Ring NBR	048220-0560	Price on req.	Price on req.	
10	2	Drain/Flooding Cap Assy ABS	063121-1060ASSY	Price on req.	Price on req.	
11	1	Check Valve NBR+SS400	1101-350350	Price on req.	Price on req.	
12	1	Screw SUS	014109-0510	Price on req.	Price on req.	
13	1	Washer SS400	040145-0050	Price on req.	Price on req.	
14	2	Bolt Set w/ Spring Washer SS400	018105-0825	Price on req.	Price on req.	
15	2	Bolt Set w/ Spring Washer SS400	018105-0835	Price on req.	Price on req.	
16	4	Seal Washer NBR + SUS	045822-0050	Price on req.	Price on req.	
17	4	Bolt SS400	010505-0525	Price on req.	Price on req.	
18	3	Wire Hose Band SWRM	093225-1000	Price on req.	Price on req.	
19	2	Hose Coupling Set PE	074111-9025	Price on req.	Price on req.	
19-1	2	Hose Coupling Packing NBR	074131-0321	Price on req.	Price on req.	
20	1	Strainer PE	074230-1025	Price on req.	Price on req.	
22	1	Base SS400	1135-214010-0014	Price on req.	Price on req.	
				Total	Price on req.	
Projektnummer		Referenz		Erstelldatum	Last update	
				18.05.2021	18.05.2021	

TEM-25H

Kontroll-Nr. --

2021-05-18 V.01.02.2021

Pos.no	Item no.	Description	Quant.	UP
--------	----------	-------------	--------	----



1	1133-100010	Casing ADC	1	Price on req.
2	1133-100020	Casing Cover ADC	1	Price on req.
3	1133-100130	Volute Casing FC	1	Price on req.
4	1133-100030	Impeller FC	1	Price on req.
5	085283-1208	Adjust Liner BSP	4	Price on req.
6	080311-1908	Mechanical Seal Ceramic+Carbon	1	Price on req.
7	048220-0950	O-Ring NBR	1	Price on req.
8	048131-1200	O-Ring NBR	1	Price on req.
9	048220-0560	O-Ring NBR	1	Price on req.
10	063121-1060ASSY	Drain/Flooding Cap Assy ABS	2	Price on req.
11	1101-350350	Check Valve NBR+SS400	1	Price on req.
12	014109-0510	Screw SUS	1	Price on req.
13	040145-0050	Washer SS400	1	Price on req.
14	018105-0825	Bolt Set w/ Spring Washer SS400	2	Price on req.
15	018105-0835	Bolt Set w/ Spring Washer SS400	2	Price on req.
16	045822-0050	Seal Washer NBR + SUS	4	Price on req.
17	010505-0525	Bolt SS400	4	Price on req.
18	093225-1000	Wire Hose Band SWRM	3	Price on req.
19	074111-9025	Hose Coupling Set PE	2	Price on req.
19-1	074131-0321	Hose Coupling Packing NBR	2	Price on req.
20	074230-1025	Strainer PE	1	Price on req.
22	1135-214010-0014	Base SS400	1	Price on req.