 www.tsurumi.eu		Quotation		Version-no.	Page: 1
Company name Department Contact person Phone no. Fax-no. Email address					
Pos.no	Quant.	Description	Item no.	UP / EUR	TP / EUR
Spare parts					
		TEF3-50H			
2	1	Suction Cover ADC	1803-100160	168,94	168,94
3	1	Check Valve NBR+SS400	1378-350350CE	77,56	77,56
4	4	Bolt Set With Spring Washer SS400	018205-0825CE	Price on req.	Price on req.
5	4	Bolt Set With Spring Washer SS400	018205-0825CE	Price on req.	Price on req.
6	1	O-Ring (Casing) NBR	048935-2550	7,07	7,07
7	1	Mechanical Seal ceramic+carbon	080311-2320	89,68	89,68
9	1	Impeller TEF3-50H AC	1803-060031	299,68	299,68
10	1	Volute Casing ADC	1803-100130	75,85	75,85
11	1	Volute Casing Packing NBR	1378-330620CE	7,46	7,46
12	1	Casing Cover Packing oil sheet	1211-390610	7,44	7,44
13	1	Casing Cover ADC	1378-100020	181,69	181,69
14	6	Bolt Set With Spring Washer SS400	018205-0825CE	Price on req.	Price on req.
15	1	Cover Packing NBR	1803-330360CE	15,94	15,94
16	1	Cover (3Way Outlet) ADC	1814-100091	Price on req.	Price on req.
17	4	Bolt SS400	010606-0840CE	Price on req.	Price on req.
18	1	Cap with o-ring ABS	063121-1100CE	Price on req.	Price on req.
19	1	O-ring NBR	048035-0300CE	Price on req.	Price on req.
20	1	Cap with o-ring ABS	063121-1100CE	Price on req.	Price on req.
21	1	O-ring NBR	048035-0300CE	Price on req.	Price on req.
22	1	Casing ADC	1378-100010B	235,88	235,88
23	1	Liner Ring Duracon	1803-521221	Price on req.	Price on req.
24	1	Base SS400	1378-214012-0004	Price on req.	Price on req.
25	4	Bolt SS400	010606-0840CE	Price on req.	Price on req.
26	1	Bolt Set with Spring Washer SS400	018205-0820CE	Price on req.	Price on req.
27	4	072332-3040CE	072332-3040CE	Price on req.	Price on req.
29	4	Spring Washer SWRH	045128-0080CE	Price on req.	Price on req.
30	8	Flange Nut SS400	020916-0080CE	Price on req.	Price on req.
31	1	074230-1050RCE	074230-1050R	65,87	65,87
32	1	Nylon net	092031-2013	Price on req.	Price on req.
36	1	Ball chain with cap AC+SS	1814-209660ASSYCE	Price on req.	Price on req.
37	2	Hose Coupling Set PE	074111-9025CE	Price on req.	Price on req.
37-1	2	Hose Coupling Packing NBR	074131-0321CE	Price on req.	Price on req.
38	1	Hose Coupling Set PE	074111-8040CE	Price on req.	Price on req.
38-1	1	Hose Coupling Packing NBR	074131-0481CE	Price on req.	Price on req.
39	1	Hose Coupling Set ADC	074111-7050RCE	Price on req.	Price on req.
39-1	1	Hose Coupling Packing NBR	074131-0501CE	Price on req.	Price on req.
40	2	Wire hose band SWRM	093225-2000	Price on req.	Price on req.
41	1	Wire hose band SWRM	093225-1120	Price on req.	Price on req.
42	2	Wire Hose Band SWRM	093225-1000	Price on req.	Price on req.
43	1	Nut SS400	020546-0080CE	Price on req.	Price on req.
				Total	Price on req.
				Total Price	Price on req.
Projektnummer		Referenz		Erstelldatum	Last update
				21.05.2021	21.05.2021

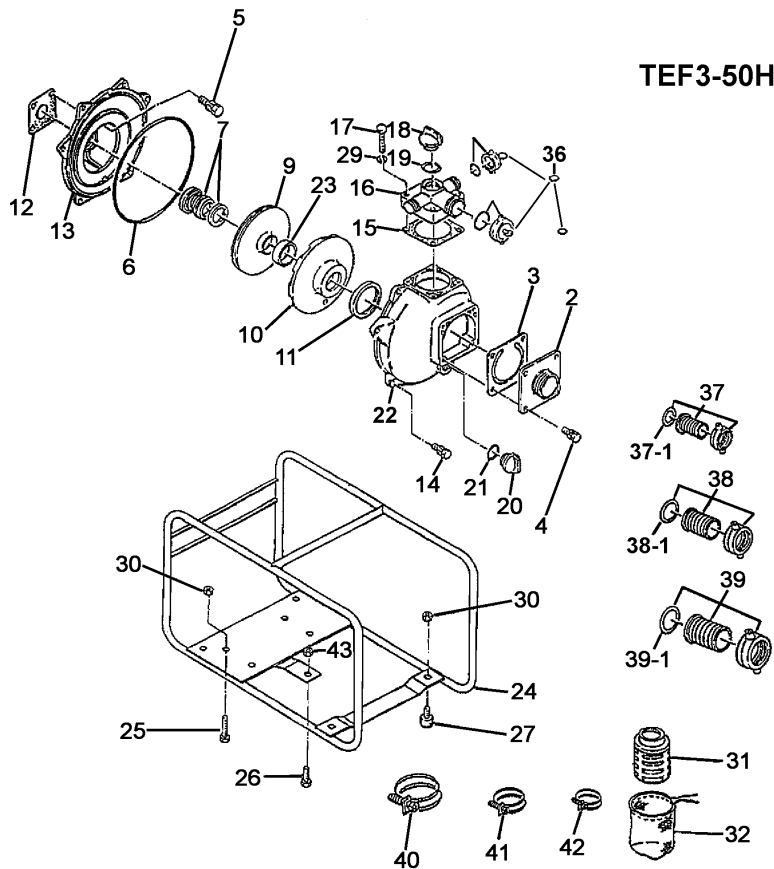
TEF3-50H

Kontroll-Nr. --

2021-05-21 V.01.02.2021

Pos.no	Item no.	Description	Quant.	UP
--------	----------	-------------	--------	----

TEF3-50H



2	1803-100160	Suction Cover ADC	1	168,94
3	1378-350350CE	Check Valve NBR+SS400	1	77,56
4	018205-0825CE	Bolt Set With Spring Washer SS400	4	Price on req.
5	018205-0825CE	Bolt Set With Spring Washer SS400	4	Price on req.
6	048935-2550	O-Ring (Casing) NBR	1	7,07
7	080311-2320	Mechanical Seal ceramic+carbon	1	89,68
9	1803-060031	Impeller TEF3-50H AC	1	299,68
10	1803-100130	Volute Casing ADC	1	75,85
11	1378-330620CE	Volute Casing Packing NBR	1	7,46
12	1211-390610	Casing Cover Packing oil sheet	1	7,44
13	1378-100020	Casing Cover ADC	1	181,69
14	018205-0825CE	Bolt Set With Spring Washer SS400	6	Price on req.
15	1803-330360CE	Cover Packing NBR	1	15,94
16	1814-100091	Cover (3Way Outlet) ADC	1	Price on req.
17	010606-0840CE	Bolt SS400	4	Price on req.
18	063121-1100CE	Cap with o-ring ABS	1	Price on req.
19	048035-0300CE	O-ring NBR	1	Price on req.
20	063121-1100CE	Cap with o-ring ABS	1	Price on req.
21	048035-0300CE	O-ring NBR	1	Price on req.
22	1378-100010B	Casing ADC	1	235,88
23	1803-521221	Liner Ring Duracon	1	Price on req.
24	1378-214012-0004	Base SS400	1	Price on req.
25	010606-0840CE	Bolt SS400	4	Price on req.
26	018205-0820CE	Bolt Set with Spring Washer SS400	1	Price on req.
27	072332-3040CE	072332-3040CE	4	Price on req.
29	045128-0080CE	Spring Washer SWRH	4	Price on req.
30	020916-0080CE	Flange Nut SS400	8	Price on req.
31	074230-1050R	074230-1050RCE	1	65,87
32	092031-2013	Nylon net	1	Price on req.
36	1814-209660ASSYCE	Ball chain with cap AC+SS	1	Price on req.
37	074111-9025CE	Hose Coupling Set PE	2	Price on req.
37-1	074131-0321CE	Hose Coupling Packing NBR	2	Price on req.
38	074111-8040CE	Hose Coupling Set PE	1	Price on req.
38-1	074131-0481CE	Hose Coupling Packing NBR	1	Price on req.
39	074111-7050RCE	Hose Coupling Set ADC	1	Price on req.
39-1	074131-0501CE	Hose Coupling Packing NBR	1	Price on req.
40	093225-2000	Wire hose band SWRM	2	Price on req.
41	093225-1120	Wire hose band SWRM	1	Price on req.
42	093225-1000	Wire Hose Band SWRM	2	Price on req.
43	020546-0080CE	Nut SS400	1	Price on req.