

 www.tsurumi.eu		Quotation		Version-no.	Page: 1
Company name Department Contact person Phone no. Fax-no. Email address					
Pos.no	Quant.	Description	Item no.	UP / EUR	TP / EUR
Spare parts					
		TEF-25HA			
1	1	Casing ADC	1714-100010	Price on req.	Price on req.
2	1	1107-100106	1107-100160	Price on req.	Price on req.
3	1	Suction Cover Packing NBR	1714-330370	Price on req.	Price on req.
4	5	Screw SS400	014205-0512CE	Price on req.	Price on req.
5	1	Check Valve NBR+SS400	1101-350350CE	Price on req.	Price on req.
6	1	Screw SUS	014109-0510	Price on req.	Price on req.
7	1	Washer SS400	040175-0050CE	Price on req.	Price on req.
8	4	Bolt SS400	010606-0620CE	Price on req.	Price on req.
9	4	Seal Washer SUS+NBR	045822-0060CE	Price on req.	Price on req.
10	1	O-Ring NBR	048931-1810CE	Price on req.	Price on req.
11	1	O-Ring NBR	048924-1380CE	Price on req.	Price on req.
12	1	Mechanical Seal Ceramic+Carbon	080611-2515	Price on req.	Price on req.
13	1	Adjust Liner BSP	085283-1812	Price on req.	Price on req.
13-1	1	Adjust Liner BSP	085285-1812	Price on req.	Price on req.
14	1	Impeller ADC	1129-100030	Price on req.	Price on req.
15	1	Volute Casing ADC	1714-100130	Price on req.	Price on req.
16	1	O-Ring NBR	048220-0380	Price on req.	Price on req.
17	1	Casing Cover Set Plate ADC	1129-060600	Price on req.	Price on req.
18	1	Casing Cover ADC	1714-100021	Price on req.	Price on req.
19	2	Bolt Set with Spring Washer SS400	018205-1025CE	Price on req.	Price on req.
20	1	Base SS400	1126-204010-0004	Price on req.	Price on req.
21	1	Base SS400	1126-204260-0004	Price on req.	Price on req.
22	1	O-Ring NBR	048035-0440	Price on req.	Price on req.
23	1	Delivery Elbow ADC	1107-100090	Price on req.	Price on req.
24	2	Bolt Set with Spring Washer SS400	018205-0820CE	Price on req.	Price on req.
25	2	063121-1060CE	063121-1060CE	Price on req.	Price on req.
26	2	R-Ring NBR	048131-0250CE	Price on req.	Price on req.
27	1	Hose Joint ABS	074120-4313	Price on req.	Price on req.
28	4	Cushion Rubber NBR+SS400	072332-2030RCE	Price on req.	Price on req.
29	4	Flange Nut SS400	020916-0060CE	Price on req.	Price on req.
30	8	Spring Washer SWRH	045128-0060CE	Price on req.	Price on req.
31	4	Bolt SS400	010606-0616CE	Price on req.	Price on req.
32	8	Washer SS400	040175-0014CE	Price on req.	Price on req.
33	1	Pump Shaft S45C	1129-221010	Price on req.	Price on req.
34	4	Screw SS400	014205-0620CE	Price on req.	Price on req.
35	1	Handle SS400	1746-207010-0014	Price on req.	Price on req.
36	2	Bolt Set with Spring Washer SS400	018205-1030CE	Price on req.	Price on req.
37	2	Hose Coupling Set PE	074111-9025CE	Price on req.	Price on req.
37-1	2	Hose Coupling Packing NBR	074131-0321CE	Price on req.	Price on req.
38	1	Strainer PE	074230-1025	Price on req.	Price on req.
39	3	Wire Hose Band SWRM	093225-1000	Price on req.	Price on req.
				Total	Price on req.
Projektnummer		Referenz		Erstelldatum	Last update
				21.05.2021	21.05.2021



Quotation

Version-no.

Page:
2

Company name
Department
Contact person
Phone no.
Fax-no.
Email address

Pos.no	Quant.	Description	Item no.	UP / EUR	TP / EUR
--------	--------	-------------	----------	----------	----------

Total Price **Price on req.**

Projektnummer

Referenz

Erstelldatum

Last update

21.05.2021

21.05.2021

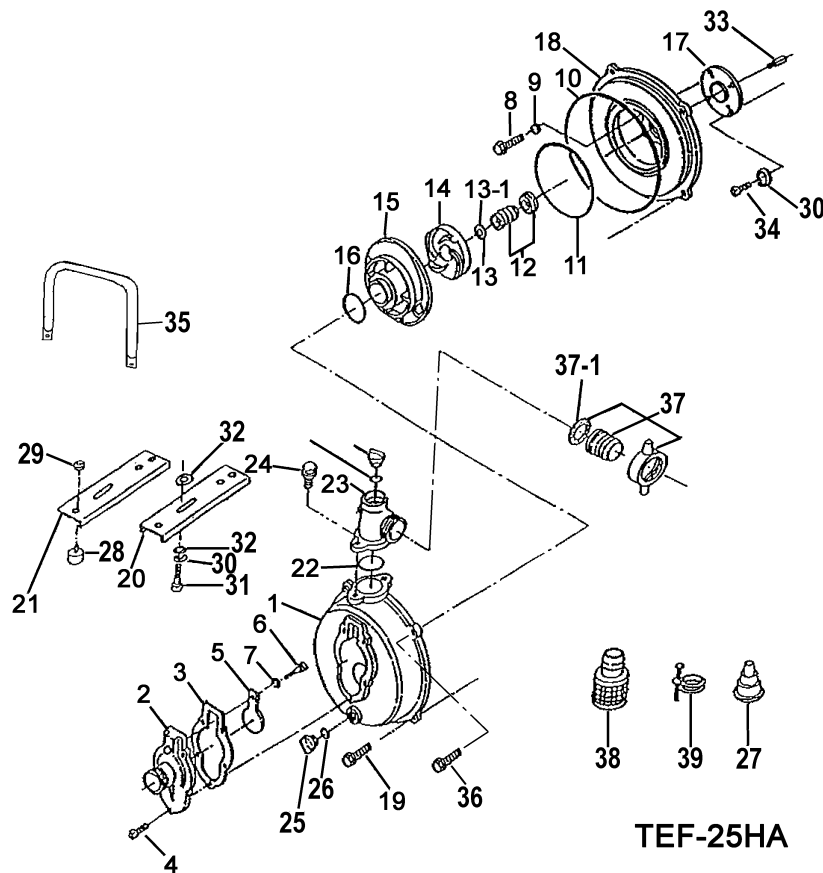
TEF-25HA

Kontroll-Nr. --

2021-05-21 V.01.02.2021

Pos.no	Item no.	Description	Quant.	UP
--------	----------	-------------	--------	----

TEF-25HA


TEF-25HA

1	1714-100010	Casing ADC	1	Price on req.
2	1107-100160	1107-100106	1	Price on req.
3	1714-330370	Suction Cover Packing NBR	1	Price on req.
4	014205-0512CE	Screw SS400	5	Price on req.
5	1101-350350CE	Check Valve NBR+SS400	1	Price on req.
6	014109-0510	Screw SUS	1	Price on req.
7	040175-0050CE	Washer SS400	1	Price on req.
8	010606-0620CE	Bolt SS400	4	Price on req.
9	045822-0060CE	Seal Washer SUS+NBR	4	Price on req.
10	048931-1810CE	O-Ring NBR	1	Price on req.
11	048924-1380CE	O-Ring NBR	1	Price on req.
12	080611-2515	Mechanical Seal Ceramic+Carbon	1	Price on req.
13	085283-1812	Adjust Liner BSP	1	Price on req.
13-1	085285-1812	Adjust Liner BSP	1	Price on req.
14	1129-100030	Impeller ADC	1	Price on req.
15	1714-100130	Volute Casing ADC	1	Price on req.
16	048220-0380	O-Ring NBR	1	Price on req.
17	1129-060600	Casing Cover Set Plate ADC	1	Price on req.
18	1714-100021	Casing Cover ADC	1	Price on req.
19	018205-1025CE	Bolt Set with Spring Washer SS400	2	Price on req.
20	1126-204010-0004	Base SS400	1	Price on req.
21	1126-204260-0004	Base SS400	1	Price on req.
22	048035-0440	O-Ring NBR	1	Price on req.
23	1107-100090	Delivery Elbow ADC	1	Price on req.
24	018205-0820CE	Bolt Set with Spring Washer SS400	2	Price on req.
25	063121-1060CE	063121-1060CE	2	Price on req.
26	048131-0250CE	R-Ring NBR	2	Price on req.
27	074120-4313	Hose Joint ABS	1	Price on req.
28	072332-2030RCE	Cushion Rubber NBR+SS400	4	Price on req.
29	020916-0060CE	Flange Nut SS400	4	Price on req.
30	045128-0060CE	Spring Washer SWRH	8	Price on req.
31	010606-0616CE	Bolt SS400	4	Price on req.
32	040175-0014CE	Washer SS400	8	Price on req.
33	1129-221010	Pump Shaft S45C	1	Price on req.
34	014205-0620CE	Screw SS400	4	Price on req.
35	1746-207010-0014	Handle SS400	1	Price on req.
36	018205-1030CE	Bolt Set with Spring Washer SS400	2	Price on req.
37	074111-9025CE	Hose Coupling Set PE	2	Price on req.
37-1	074131-0321CE	Hose Coupling Packing NBR	2	Price on req.
38	074230-1025	Strainer PE	1	Price on req.

