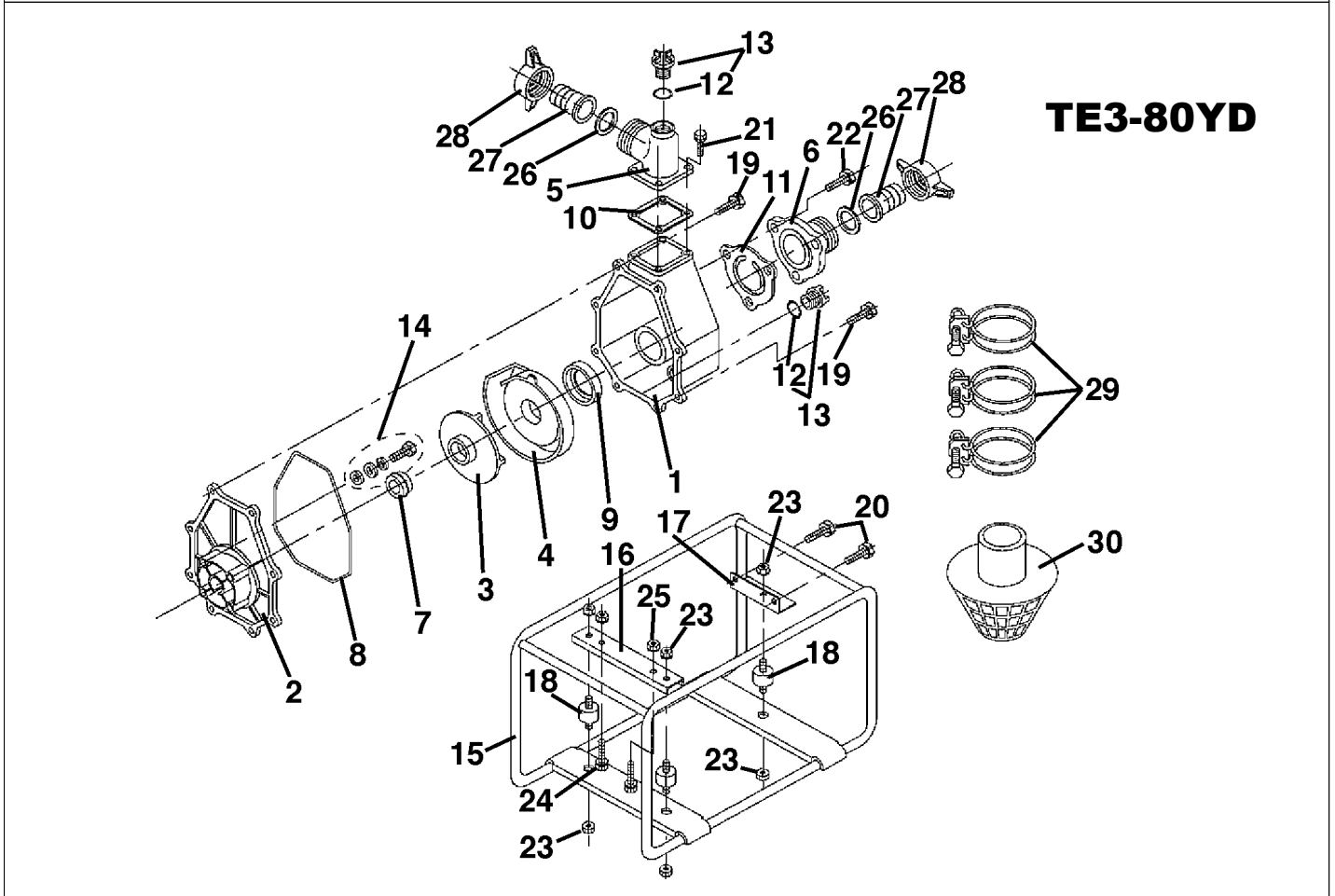
		Quotation		Version-no.	Page: 1
Company name Department Contact person Phone no. Fax-no. Email address					
Pos.no	Quant.	Description	Item no.	UP / EUR	TP / EUR
Spare parts					
		TE3-80YD			
1	1	803-001Casing (SCQ-80)	200-200-190	Price on req.	Price on req.
2	1	502-004 Casing Cover	200-200-510	Price on req.	Price on req.
3	1	801-009 Impeller	200-210-230	Price on req.	Price on req.
4	1	801-011 Inner Casing	200-210-020	Price on req.	Price on req.
5	1	801-019 Bend	200-200-260	Price on req.	Price on req.
6	1	801-013 Valve Case	200-200-270	Price on req.	Price on req.
7	1	501-010 Mechanical Seal	201-100-031	Price on req.	Price on req.
8	1	Packing Casing	200-900-350	Price on req.	Price on req.
9	1	801-012 Packing, Inner Casing	200-900-180	Price on req.	Price on req.
10	1	801-020 Packing, Bend	200-900-190	Price on req.	Price on req.
11	1	801-015 Check Valve	200-900-110	Price on req.	Price on req.
12	2	501-022 Packing, Plug	200-800-020	Price on req.	Price on req.
13	2	501-021,022 Plug Assy	200-500-040	Price on req.	Price on req.
14	4	501-005,006,007,008 Casing Bolt Assy	203-000-100	Price on req.	Price on req.
15	1	Frame (Black)	200-100-890	Price on req.	Price on req.
16	1	821-005RD Base, Engine (Black)	200-100-410	Price on req.	Price on req.
17	1	Support	200-300-460	Price on req.	Price on req.
18	3	821-019 Anti Vibration Rubber	200-900-360	Price on req.	Price on req.
19	6	501-014 Hex. Bolt M8x25	203-000-040	Price on req.	Price on req.
20	2	501-014 Hex. Bolt M8x25	203-000-040	Price on req.	Price on req.
21	4	501-014 Hex. Bolt M8x25	203-000-050	Price on req.	Price on req.
22	3	801-014 Hex. Bolt M8x30	203-000-060	Price on req.	Price on req.
23	6	1001-024 Spring Nut (M8)	203-200-030	Price on req.	Price on req.
24	2	501-025 Bolt M10x50SW	203-000-090	Price on req.	Price on req.
25	2	1001-033 Flange Nut (M10)	203-200-020	Price on req.	Price on req.
26	2	801-017 Packing, Coupling	200-900-060	Price on req.	Price on req.
27	2	801-018P Hose Coupling	200-500-100	Price on req.	Price on req.
28	2	801-016 Handle (PF3)	200-200-250	Price on req.	Price on req.
29	3	801-028 Hose Band	201-000-060	Price on req.	Price on req.
30	1	Strainer 3"J	201-200-050	Price on req.	Price on req.
				Total	Price on req.
				Total Price	Price on req.
Projektnummer	Referenz	Erstelldatum	Last update		
		21.05.2021	21.05.2021		

TE3-80YD

Kontroll-Nr. --

2021-05-21 V.01.02.2021

Pos.no	Item no.	Description	Quant.	UP
--------	----------	-------------	--------	----


TE3-80YD

1	200-200-190	803-001Casing (SCQ-80)	1	price on req.
2	200-200-510	502-004 Casing Cover	1	price on req.
3	200-210-230	801-009 Impeller	1	price on req.
4	200-210-020	801-011 Inner Casing	1	price on req.
5	200-200-260	801-019 Bend	1	price on req.
6	200-200-270	801-013 Valve Case	1	price on req.
7	201-100-031	501-010 Mechanical Seal	1	price on req.
8	200-900-350	Packing Casing	1	price on req.
9	200-900-180	801-012 Packing, Inner Casing	1	price on req.
10	200-900-190	801-020 Packing, Bend	1	price on req.
11	200-900-110	801-015 Check Valve	1	price on req.
12	200-800-020	501-022 Packing, Plug	2	price on req.
13	200-500-040	501-021,022 Plug Assy	2	price on req.
14	203-000-100	501-005,006,007,008 Casing Bolt Assy	4	price on req.
15	200-100-890	Frame (Black)	1	price on req.
16	200-100-410	821-005RD Base, Engine (Black)	1	price on req.
17	200-300-460	Support	1	price on req.
18	200-900-360	821-019 Anti Vibration Rubber	3	price on req.
19	203-000-040	501-014 Hex. Bolt M8x25	6	price on req.
20	203-000-040	501-014 Hex. Bolt M8x25	2	price on req.
21	203-000-050	501-014 Hex. Bolt M8x25	4	price on req.
22	203-000-060	801-014 Hex. Bolt M8x30	3	price on req.
23	203-200-030	1001-024 Spring Nut (M8)	6	price on req.
24	203-000-090	501-025 Bolt M10x50SW	2	price on req.
25	203-200-020	1001-033 Flange Nut (M10)	2	price on req.
26	200-900-060	801-017 Packing, Coupling	2	price on req.
27	200-500-100	801-018P Hose Coupling	2	price on req.
28	200-200-250	801-016 Handle (PF3)	2	price on req.
29	201-000-060	801-028 Hose Band	3	price on req.
30	201-200-050	Strainer 3"J	1	price on req.