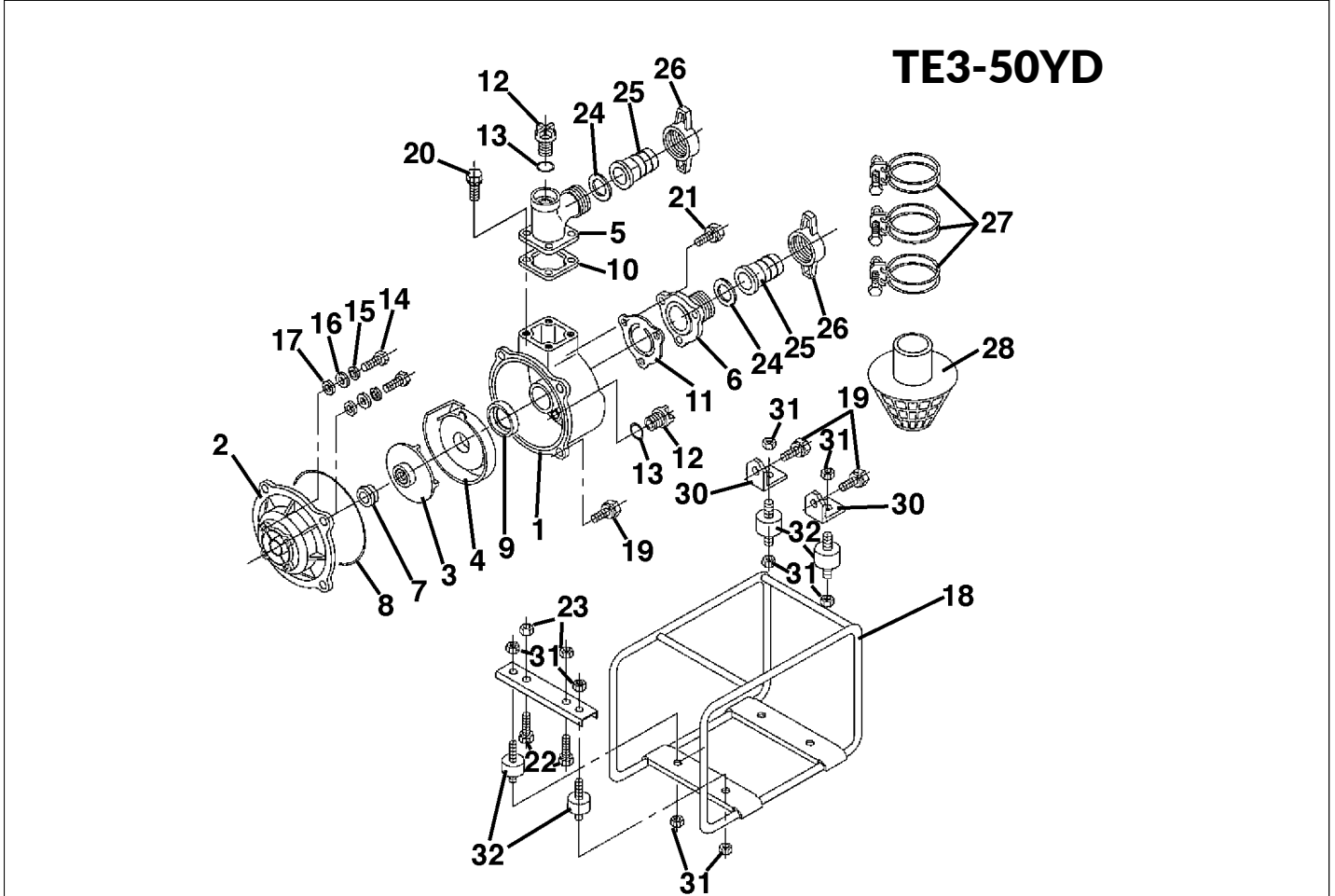
 www.tsurumi.eu		Quotation		Version-no.	Page: 1
Company name Department Contact person Phone no. Fax-no. Email address					
Pos.no	Quant.	Description	Item no.	UP / EUR	TP / EUR
Spare parts					
1	1	503-001 Casing (OEL-50)	200-200-140	Price on req.	Price on req.
2	1	501-004 Casing Cover	200-200-770	Price on req.	Price on req.
3	1	581-009 Impeller	200-210-220	Price on req.	Price on req.
4	1	581-011 Inner Casing	200-210-090	Price on req.	Price on req.
5	1	501-019 Bend	200-200-560	Price on req.	Price on req.
6	1	501-013 Valve Case	200-200-230	Price on req.	Price on req.
7	1	501-010 Mechanical Seal	201-100-031	Price on req.	Price on req.
8	1	501-002 Packing, Casing	200-800-180	Price on req.	Price on req.
9	1	801-012 Packing, Inner Casing	200-900-180	Price on req.	Price on req.
10	1	501-020 Packing, Bend	200-900-170	Price on req.	Price on req.
11	1	501-015 Check Valve	200-900-120	Price on req.	Price on req.
12	2	501-021,022 Plug Assy	200-500-040	Price on req.	Price on req.
13	2	501-022 Packing, Plug	200-800-020	Price on req.	Price on req.
14	4	501-005 Bolt M8x50	203-000-290	Price on req.	Price on req.
15	4	501-007 Spring Washer	203-100-120	Price on req.	Price on req.
16	4	501-008 Plain Washer M8	203-100-150	Price on req.	Price on req.
17	4	501-006 Seal Packing	200-900-070	Price on req.	Price on req.
18	1	501-030RD2 Frame	200-101-380	Price on req.	Price on req.
19	4	501-003 Bolt M10x30SW (14)	203-000-080	Price on req.	Price on req.
20	4	501-014 Hex. Bolt M8x25	203-000-040	Price on req.	Price on req.
21	3	501-014 Hex. Bolt M8x25	203-000-040	Price on req.	Price on req.
22	2	501-025 Bolt M10x50SW	203-000-090	Price on req.	Price on req.
23	2	1001-033 Flange Nut (M10)	203-200-020	Price on req.	Price on req.
24	2	501-017 Packing, Coupling	200-900-050	Price on req.	Price on req.
25	2	501-018P Hose Coupling	200-500-090	Price on req.	Price on req.
26	2	501-016 Handle (PF2)	200-200-670	Price on req.	Price on req.
27	3	501-028 Hose Band	201-000-040	Price on req.	Price on req.
28	1	505-029 Strainer	201-200-030	Price on req.	Price on req.
29	1	821-005RD Base, Engine (Black)	200-100-410	Price on req.	Price on req.
30	2	501-038 Metal	200-300-180	Price on req.	Price on req.
31	6	1001-024 Spring Nut (M8)	203-200-030	Price on req.	Price on req.
32	4	1001-032 Anti Vibration Rubber	200-900-370	Price on req.	Price on req.
				Total	Price on req.
				Total Price	Price on req.
Projektnummer	Referenz	Erstelldatum	Last update		
		21.05.2021	21.05.2021		

TE3-50YD

Kontroll-Nr. --

2021-05-21 V.01.02.2021

Pos.no	Item no.	Description	Quant.	LP
--------	----------	-------------	--------	----



1	200-200-140	503-001 Casing (OEL-50)	1	price on req.
2	200-200-770	501-004 Casing Cover	1	price on req.
3	200-210-220	581-009 Impeller	1	price on req.
4	200-210-090	581-011 Inner Casing	1	price on req.
5	200-200-560	501-019 Bend	1	price on req.
6	200-200-230	501-013 Valve Case	1	price on req.
7	201-100-031	501-010 Mechanical Seal	1	price on req.
8	200-800-180	501-002 Packing, Casing	1	price on req.
9	200-900-180	801-012 Packing, Inner Casing	1	price on req.
10	200-900-170	501-020 Packing, Bend	1	price on req.
11	200-900-120	501-015 Check Valve	1	price on req.
12	200-500-040	501-021,022 Plug Assy	2	price on req.
13	200-800-020	501-022 Packing, Plug	2	price on req.
14	203-000-290	501-005 Bolt M8x50	4	price on req.
15	203-100-120	501-007 Spring Washer	4	price on req.
16	203-100-150	501-008 Plain Washer M8	4	price on req.
17	200-900-070	501-006 Seal Packing	4	price on req.
18	200-101-380	501-030RD2 Frame	1	price on req.
19	203-000-080	501-003 Bolt M10x30SW (14)	4	price on req.
20	203-000-040	501-014 Hex. Bolt M8x25	4	price on req.
21	203-000-040	501-014 Hex. Bolt M8x25	3	price on req.
22	203-000-090	501-025 Bolt M10x50SW	2	price on req.
23	203-200-020	1001-033 Flange Nut (M10)	2	price on req.
24	200-900-050	501-017 Packing, Coupling	2	price on req.
25	200-500-090	501-018P Hose Coupling	2	price on req.
26	200-200-670	501-016 Handle (PF2)	2	price on req.
27	201-000-040	501-028 Hose Band	3	price on req.
28	201-200-030	505-029 Strainer	1	price on req.
29	200-100-410	821-005RD Base, Engine (Black)	1	price on req.
30	200-300-180	501-038 Metal	2	price on req.
31	203-200-030	1001-024 Spring Nut (M8)	6	price on req.
32	200-900-370	1001-032 Anti Vibration Rubber	4	price on req.