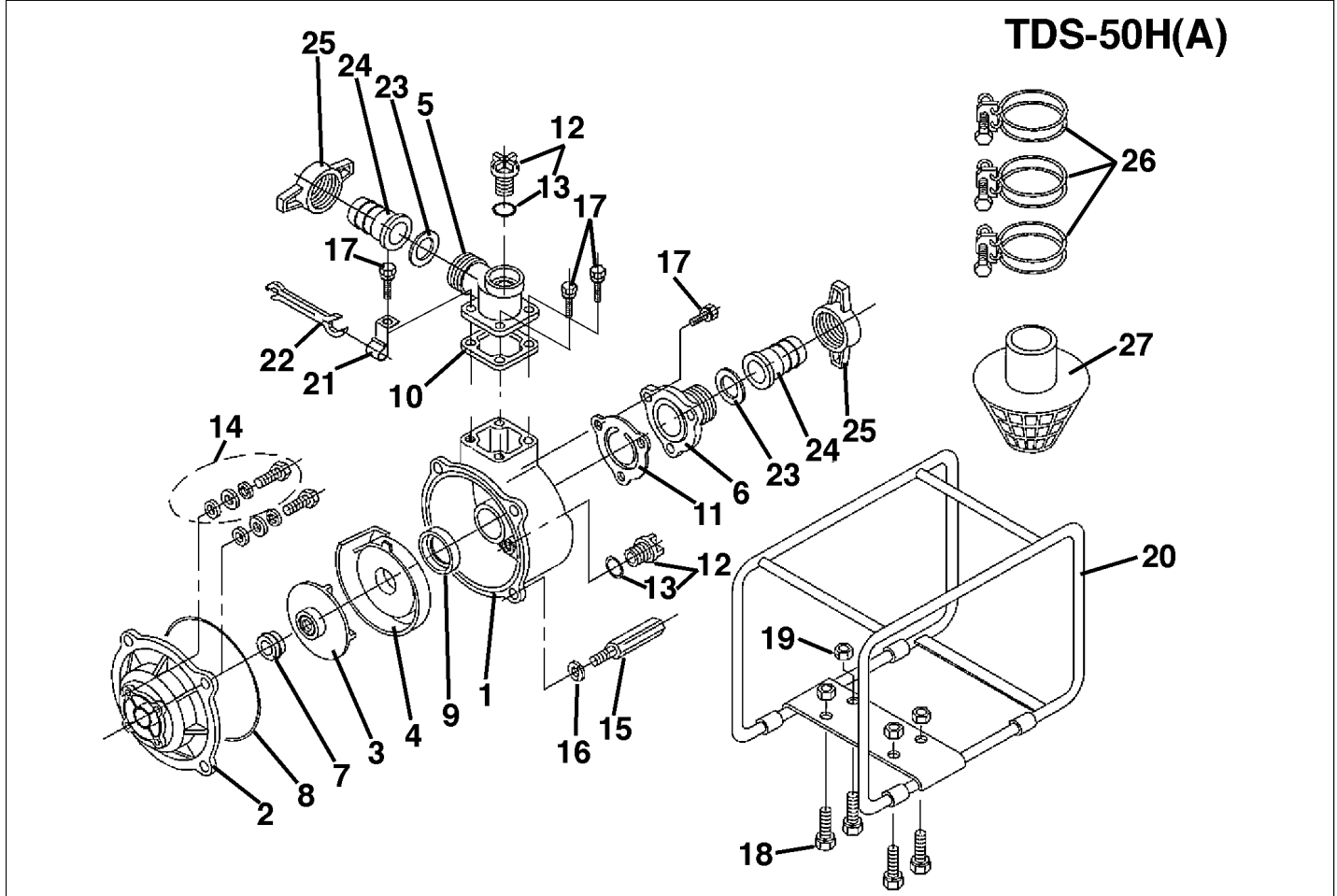
 www.tsurumi.eu		Quotation		Version-no.	Page: 1
Company name Department Contact person Phone no. Fax-no. Email address					
Pos.no	Quant.	Description	Item no.	UP / EUR	TP / EUR
Spare parts					
		TDS-50H(A)			
1	1	501-001 Casing (Oel)	200-200-120	Price on req.	Price on req.
2	1	501-004 Casing Cover	200-200-770	Price on req.	Price on req.
3	1	570-009, 571-009 Impeller	200-210-470	Price on req.	Price on req.
4	1	571-011 Inner Casing	200-210-490	Price on req.	Price on req.
5	1	501-019 Bend	200-200-240	Price on req.	Price on req.
6	1	501-013 Valve Case	200-200-230	Price on req.	Price on req.
7	1	521-008 Mechanical Seal	201-100-051	Price on req.	Price on req.
8	1	501-002 Packing, Casing	200-800-180	Price on req.	Price on req.
9	1	501-012 Packing, Inner Casing	200-900-240	Price on req.	Price on req.
10	1	501-020 Packing, Bend	200-900-170	Price on req.	Price on req.
11	1	501-015 Check Valve	200-900-120	Price on req.	Price on req.
12	2	501-021,022 Plug Assy	200-500-040	Price on req.	Price on req.
13	2	501-022 Packing, Plug	200-800-020	Price on req.	Price on req.
14	4	501-005,006,007,008 Casing Bolt Assy	203-000-100	Price on req.	Price on req.
15	4	571-003 Special Bolt (M10)	203-000-330	Price on req.	Price on req.
16	4	571-003SW Spring Washer 10	203-100-230	Price on req.	Price on req.
17	7	501-014 Hex. Bolt M8x25	203-000-040	Price on req.	Price on req.
18	4	501-023 Hex. Bolt M8x40	203-000-070	Price on req.	Price on req.
19	4	502-033 Flange Nut	203-200-010	Price on req.	Price on req.
20	1	501-030RN Frame	200-100-040	Price on req.	Price on req.
21	1	571-021 Hook	203-300-130	Price on req.	Price on req.
22	1	Hex. Stick Wrench	1005-095-0400	Price on req.	Price on req.
23	2	501-017 Packing, Coupling	200-900-050	Price on req.	Price on req.
24	2	501-018P Hose Coupling	200-500-090	Price on req.	Price on req.
25	2	501-016P Hose Handle	200-500-070	Price on req.	Price on req.
26	3	501-028 Hose Band	201-000-040	Price on req.	Price on req.
27	1	575-029 Strainer (2"FJ)	201-200-040	Price on req.	Price on req.
				Total	Price on req.
Projektnummer		Referenz		Erstelldatum	Last update
				21.05.2021	21.05.2021

TDS-50H(A)

Kontroll-Nr. --

2021-05-21 V.01.02.2021

Pos.no	Item no.	Description	Quant.	UP
--------	----------	-------------	--------	----



1	200-200-120	501-001 Casing (Oel)	1	Price on req.
2	200-200-770	501-004 Casing Cover	1	Price on req.
3	200-210-470	570-009, 571-009 Impeller	1	Price on req.
4	200-210-490	571-011 Inner Casing	1	Price on req.
5	200-200-240	501-019 Bend	1	Price on req.
6	200-200-230	501-013 Valve Case	1	Price on req.
7	201-100-051	521-008 Mechanical Seal	1	Price on req.
8	200-800-180	501-002 Packing, Casing	1	Price on req.
9	200-900-240	501-012 Packing, Inner Casing	1	Price on req.
10	200-900-170	501-020 Packing, Bend	1	Price on req.
11	200-900-120	501-015 Check Valve	1	Price on req.
12	200-500-040	501-021,022 Plug Assy	2	Price on req.
13	200-800-020	501-022 Packing, Plug	2	Price on req.
14	203-000-100	501-005,006,007,008 Casing Bolt Assy	4	Price on req.
15	203-000-330	571-003 Special Bolt (M10)	4	Price on req.
16	203-100-230	571-003SW Spring Washer 10	4	Price on req.
17	203-000-040	501-014 Hex. Bolt M8x25	7	Price on req.
18	203-000-070	501-023 Hex. Bolt M8x40	4	Price on req.
19	203-200-010	502-033 Flange Nut	4	Price on req.
20	200-100-040	501-030RN Frame	1	Price on req.
21	203-300-130	571-021 Hook	1	Price on req.
22	1005-095-0400	Hex. Stick Wrench	1	Price on req.
23	200-900-050	501-017 Packing, Coupling	2	Price on req.
24	200-500-090	501-018P Hose Coupling	2	Price on req.
25	200-500-070	501-016P Hose Handle	2	Price on req.
26	201-000-040	501-028 Hose Band	3	Price on req.
27	201-200-040	575-029 Strainer (2"FJ)	1	Price on req.