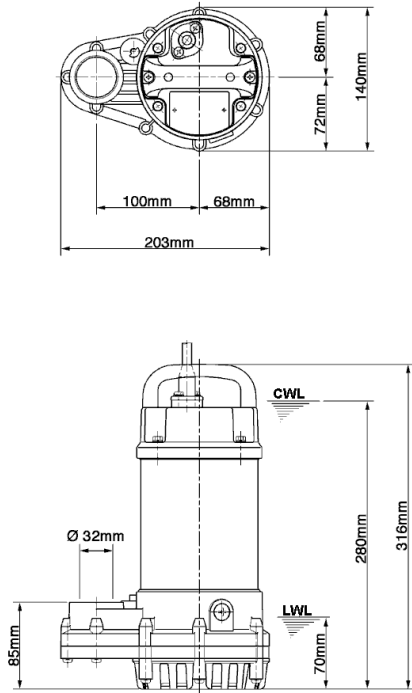
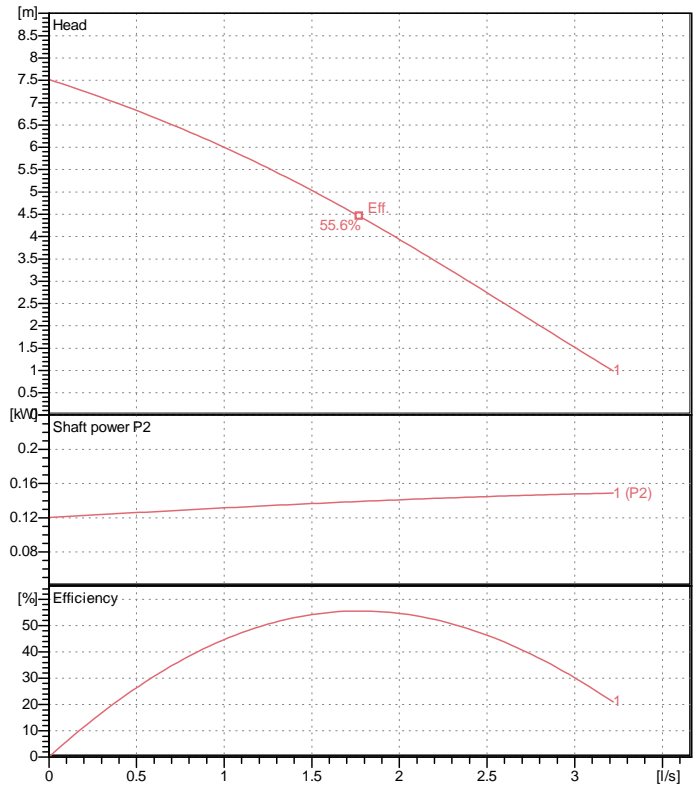


Data sheet OM4



CWL: Continuous running water level
LWL: Lowest running water level



Specification

Electric submersible pump
Degree of protection IP 68
Depth of submersion max. 10 m
Type of impeller Vortex impeller
Free passage 10 mm
Suitable for:
sewage water, various waste water

Electric motor

Dry-type submersible induction motor
Insulation class E 2Poles 2850 1/min
Starting mode Directly
Rated voltage 230 V 50 Hz 1~
Power uptake 0.30 kW
Rated power 0.15 kW
Rated current 1.6 A
Start current 4.3 A

Cable

10m H07RN-F 3Cx1mm²

Motor Protection

Circle thermal protector
(snap-action bi-metal device)

Shaft seal

Double inside mechanical seal in oil bath
additional lubrication by oil lifting device

Primary seal

Silicon carbide on silicon carbide

Secondary seal

Ceramic on carbon

Bearings

Shielded ball bearings, maintenance-free

Materials

Impeller	Plastic with glass fibers
Upper Pump casing	Plastic with glass fibers
Lower Pump casing	Plastic with glass fibers
Motor Frame	DIN 1.4301 (EN-X5CrNi 18-10)
Shaft	DIN 1.4000 (EN-X6Cr13)

Discharge size

1,25" (32mm) screwed-in mating flange

Weight

5.9 kg (dry weight of the pump only without cable)