

NKZ3-D3/C4

Kontroll-Nr. --

2019-02-04 V.01.02.2019

Pos.no	Item no.	Description	Quant.	UP
		Packing O-Ring Set	1	Price on req.
1	001-TEG-09	Cabletyre Cable Set (20m) H07RN-F4Cx2,5mm ² without stuffing box	1	Price on req.
	M01-TEG-09	Cabletyre Cable Set (20m) NSSHÖU 4Cx2,5mm ²	1	Price on req.
2	141-004-17	Hex.Nut M6 SUS304	1	Price on req.
3	010-120-18	Cable Clip No.2-1 SPC	1	Price on req.
4	010-000-31	Cable Clip Rubber NBR	1	Price on req.
5	095-131-18	Chain 4mm(3L) SS	1	Price on req.
6	070-103-10	L-Shape Fitting KT-55 SPC	1	Price on req.
7	070-107-18	Cable Clamp FC	1	Price on req.
8	140-035-27	Hex.Bolt M6x20 SUS304 (EN X5CrNi18-10) Stainless Steel	2	Price on req.
9	008-154-17	Mould Cover KR2-10 CR	1	Price on req.
10	140-032-11	Hex.Bolt M6x15 SUS304 (EN X5CrNi18-10) Stainless Steel	1	Price on req.
11	011-110-11	Shackle 6mm SS	1	Price on req.
12	140-060-18	Hex.Bolt M8x50 SUS304	4	Price on req.
13	142-210-11	Plain Washer d8.6xd13.4x1t SUS304 (EN X5CrNi18-10) Stainless Steel	4	Price on req.
14	142-127-23	Plain Washer M8 SPC	1	Price on req.
15	143-085-34	Pan Screw (w/Spring Washer) M4x6 C3604 (EN CuZn39Pb3)	1	Price on req.
16	009-116-10	Terminal R-2-4 CU	1	Price on req.
17	009-274-17	Compression type Terminal TMNB-2.2(Insulated) CU	3	Price on req.
18	002-129-15	Heat Shrink Tube (Sold per meter) EVA(d14x1t) (Vm)	1	Price on req.
19	002-132-11	Heat Shrink Tube (Sold per meter) A4(d17x0.27t) (Vm)	1	Price on req.
20	140-055-10	Hex.Bolt M8x25 SUS304	4	Price on req.
21	006-126-14	Stuffing Box No.2 FC	1	Price on req.
22	050-366-15	Motor Bracket FC	1	Price on req.
23	053-254-18	Motor Protector 380/400/415V-50HZ KA313-GCXL103 (H.C)	1	Price on req.
24	142-124-20	Plain Washer M4 SPC	2	Price on req.
25	142-160-31	Spring Washer M4 SWRH	2	Price on req.
26	143-016-18	Pan Screw M4x12 SWRM	2	Price on req.
27	068-170-15	Handle NKZ2-2.2/3.7KW SGP+SPC	1	Price on req.
28	142-127-10	Plain Washer M8 SUS304 (EN X5CrNi18-10) Stainless Steel	4	Price on req.
29	121-342-18	Packing d8.8xd16x5t NBR	4	Price on req.
30	140-052-17	Hex.Bolt M8x16 SUS304	2	Price on req.
31	046-000-05	Air Release Valve GSZ/NKZ/B SPCC	1	Price on req.
32	203-017-18	Ball d28 NBR	1	Price on req.
33	121-151-18	Packing (Air Release Valve) P.C.80xd50 CR	1	Price on req.
34	122-285-15	O-Ring 155xd3.1 NBR	1	Price on req.
35	142-197-11	Wave Washer #6305 SK-5	1	Price on req.
36	052-108-13	Bearing 6305ZZC3	2	Price on req.
37	058-126-15	Lead Wire Protection Plate d75xd155x1.6t Resin	1	Price on req.
38	055-566-12	Rotor	1	Price on req.
39	147-022-19	Impeller Key 7x7x28l Stainless Steel	1	Price on req.
40	056-010-14	Stator 400/415V-50Hz(EUR)	1	Price on req.
41	122-155-15	O-Ring G-240 NBR	1	Price on req.
42	065-157-17	Outer Cover NKZ2-3.7KW SS	1	Price on req.
43	122-155-15	O-Ring G-240 NBR	1	Price on req.
44	064-300-14	Motor Frame FC	1	Price on req.
45	122-285-15	O-Ring 155xd3.1 NBR	1	Price on req.
46	143-043-14	Pan Screw M6x12 SWRM	3	Price on req.
47	062-219-19	Bearing Cover d70xd105x2.3t SPCC	1	Price on req.
48	052-110-18	Bearing 6307ZZC3	1	Price on req.
49	140-099-16	Hex.Bolt M12x40 SUS304	4	Price on req.
50	142-165-10	Spring Washer M12 SUS304	4	Price on req.
51	060-243-16	Bearing Housing FC	1	Price on req.
52, 53	143-070-10	Pan Screw M5x6 SWRM	4	Price on req.
52, 53	030-143-12	Oil Lifter H-25(A)(T) Resin	1	Price on req.
52, 53	030-152-14	Seal Stopper H-25(A)(T) SPCC	1	Price on req.
54	142-164-19	Spring Washer M10 SUS304	4	Price on req.
55	140-000-01	Hex.Bolt M10x30(B=14) SUS304 (EN X5CrNi18-10) Stainless Steel	4	Price on req.
56	122-253-14	O-Ring 245xd3.8 NBR	1	Price on req.
57	020-532-11	Pump Casing NKZ2-C3/A3 FC	1	Price on req.
58	142-129-25	Plain Washer M12 SPC	3	Price on req.
59	144-153-24	Stud Bolt M12x142(15/28.5) SUS403 (EN X6Cr13) Stainless Steel	3	Price on req.
60	141-007-10	Hex.Nut M12 SUS304	3	Price on req.
61	146-022-16	Retaining Ring C35 SK5	1	Price on req.
62	142-210-11	Plain Washer d8.6xd13.4x1t SUS304 (EN X5CrNi18-10) Stainless Steel	4	Price on req.
63	140-057-12	Hex.Bolt M8x30 SUS304 (EN X5CrNi18-10) Stainless Steel	4	Price on req.
64	035-113-18	Oil Plug M12x14 SUS304	1	Price on req.
65	121-247-12	Packing d12.3xd18x2t PE	1	Price on req.
66	025-000-93	Mechanical Seal H-25 SiC	1	Price on req.
67	122-139-13	O-Ring G-140 NBR	1	Price on req.
68	029-188-15	Oil Casing NKZ2-2.2KW FC	1	Price on req.
69	140-000-01	Hex.Bolt M10x30(B=14) SUS304 (EN X5CrNi18-10) Stainless Steel	4	Price on req.
70	032-119-28	Hose Coupling 80mm(D3/B3) FC	1	Price on req.
70	032-437-12	Hose Coupling (for EUR)KTV(BSPT-3) FC	1	Price on req.
70	032-438-13	Hose Coupling (for EUR)KTV(BSPT-4) FC	1	Price on req.
71	121-141-15	Packing KRB-3/4 Type NR	1	Price on req.
72	026-106-10	Oil Seal DD-305011 (NBR)	1	Price on req.
73	071-126-45	Shaft Sleeve KRS2-C3 SUS403 (EN X6Cr13) Stainless Steel	1	Price on req.
74	040-108-29	Impeller Shim d22.5xd45x0.3t SUS304 (EN X5CrNi18-10) Stainless Steel	1	Price on req.
75	021-821-13	Impeller (50HZ) D3/C4 FCD	1	Price on req.
75	021-532-30	Impeller (50HZ) C3 FCD	1	Price on req.
76	047-105-14	Impeller Thread Protect.Cover No.4(22) SPC	1	Price on req.
77	142-168-13	Spring Washer M20 SUS304	1	Price on req.

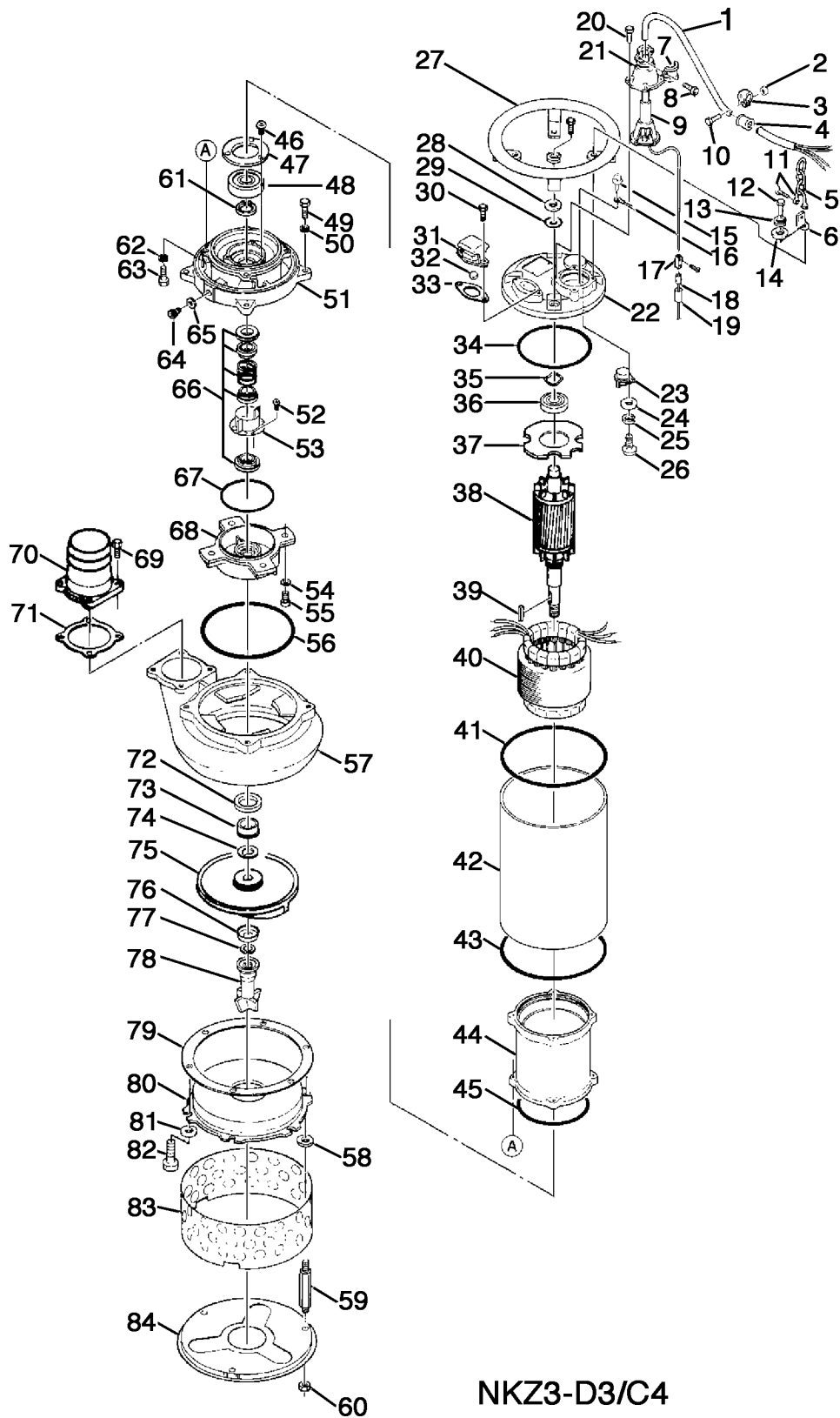
NKZ3-D3/C4

Kontroll-Nr. --

2019-02-04 V.01.02.2019

Pos.no	Item no.	Description	Quant.	UP
78	024-114-15	Stirrer No.1(M20) FCD	1	Price on req.
79	120-112-14	Packing d260xd314x0.5t PE	1	Price on req.
80	022-367-22	Suction Cover D3 FC	1	Price on req.
80	022-532-17	Suction Cover B3/A4 FC	1	Price on req.
81	142-129-25	Plain Washer M12 SPC	3	Price on req.
82	140-096-13	Hex.Bolt M12x25 SUS304	3	Price on req.
83	023-277-14	Strainer NKZ2-D4/B4 SPC	1	Price on req.
84	049-148-15	Bottom Plate NKZ2-2.2KW SPC	1	Price on req.
	173-441-19	Packing & O-Ring Set	1	Price on req.
	##oilVG32	ml Turbine Oil ISO VG32	700	Price on req.

Exploded View NKZ3-D3/C4



NKZ3-D3/C4