

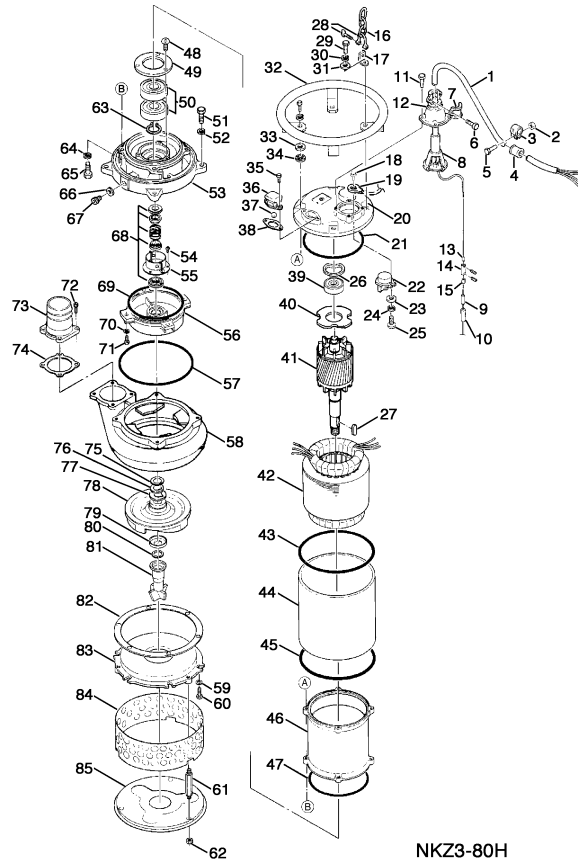
**NKZ3-80H**

Kontroll-Nr. --

2024-04-12 V.01.02.2023

Pos.no	Item no.	Description	Qty.	UP / EUR
--------	----------	-------------	------	----------

NKZ3-80H


**NKZ3-80H**

1.1.1	173-442-10	Packing & O-Ring Set	1	
1	001-TEG-09	Cabletyre Cable Set (20m) H07RN-F4Cx2,5mm <sup>2</sup> without stuffing box	1	
1	M01-TEG-09	Cabletyre Cable Set (20m) NSSHÖU 4Cx2,5mm <sup>2</sup>	1	
2	141-004-17	Hex. Nut M6 SUS304 SUS304 (EN X5CrNi18-10) Stainless	1	
3	010-120-18	Cable Clip No.2-1 SPC	1	Price on req.
4	010-121-19	Cable Clip Rubber (EUR,NSU) No.1 NBR	1	
5	140-032-11	Hex.Bolt M6x15 SUS304 (EN X5CrNi18-10) Stainless Steel	1	
6	140-035-27	Hex.Bolt M6x20 SUS304 (EN X5CrNi18-10) Stainless Steel	2	
7	070-107-18	Cable Clamp FC	1	
8	008-137-14	Mould Cover KR2-2 CR	1	
9	002-129-15	Heat Shrink Tube (Sold per meter) EVA(d14x1t) (Vm)	1	
10	002-132-11	Heat Shrink Tube (Sold per meter) A4(d17x0.27t) (Vm)	1	
11	140-055-10	Hex.Bolt M8x25 SUS304	4	
12	006-126-14	Stuffing Box No.2 FC	1	
13	009-123-10	Terminal (EUR,NSU) P-5,5 CU	3	
14	009-101-12	Terminal(C/W Screw) d12x(d6.6xd6.6)x25l C3604	3	
15	009-123-10	Terminal (EUR,NSU) P-5,5 CU	3	
16	095-000-95	Chain 4mm(4L)l=24 SS	1	
17	070-103-10	L-Shape Fitting KT-55 SPC	1	
18	143-085-34	Pan Screw (w/Spring Washer) M4x6 C3604 (EN CuZn39Pb3)	1	
19	009-122-19	Terminal R-3,5-4 CU	1	
20	050-367-16	Motor Bracket FC	1	
21	122-410-11	O-Ring 190xd3,8 NBR	1	
22	053-222-17	Motor Protector 380/400/415V-50HZ KA314-HMXL00 (H.C)	1	
23	142-124-20	Plain Washer M4 SPC	2	
24	142-160-31	Spring Washer M4 SWRH	2	
25	143-016-18	Pan Screw M4x12 SWRM	2	
26	142-197-11	Wave Washer #6305 SK-5	1	
27	147-024-11	Impeller Key 8x8x38L SUS420 (EN X20Cr13)	1	
28	011-110-11	Shackle 6mm SS	1	
29	140-081-15	Hex.Bolt M10x50 SUS304 (EN X5CrNi18-10) Stainless Steel	4	
30	142-164-19	Spring Washer M10 SUS304	4	
31	142-128-11	Plain Washer M10 Kaltgewalztes Blech	1	
32	068-236-10	Handle NKZ3-5.5KW SGP+SPC	1	
33	142-128-11	Plain Washer M10 Kaltgewalztes Blech	4	
34	121-343-19	Packing d9.5xd16x5t NBR	4	
35	140-052-17	Hex.Bolt M8x16 SUS304	2	
36	046-000-05	Air Release Valve GSZ/NKZ/B SPCC	1	
37	203-017-18	Ball d28 NBR	1	
38	121-151-18	Packing (Air Release Valve) P.C.80xd50 CR	1	

**NKZ3-80H**

Kontroll-Nr. --

2024-04-12 V.01.02.2023

Pos.no	Item no.	Description	Qty.	UP / EUR
39	052-108-13	Bearing 6305ZZC3	1	
40	058-155-13	Lead Wire Protection Plate d78xd180x1.6t Bakelite	1	
41	055-569-15	Rotor	1	
42	056-001-99	Stator	1	Price on req.
43	122-156-16	O-Ring G-250(249.3xd5.7) NBR	1	
44	065-158-18	Outer Cover NKZ2-5.5KW SS	1	
45	122-156-16	O-Ring G-250(249.3xd5.7) NBR	1	
46	064-441-18	Motor Frame FC	1	
47	122-410-11	O-Ring 190xd3.8 NBR	1	
48	143-043-14	Pan Screw M6x12 SWRM	3	
49	062-116-15	Bearing Fixing Plate d80xd115x3.2t SS	1	
50	052-139-13	Bearing 6308ZZD2C3	1	
51	140-099-16	Hex.Bolt M12x40 SUS304	4	
52	142-165-10	Spring Washer M12 SUS304 (EN X5CrNi18-10) Stainless Steel	4	Price on req.
53	060-358-15	Bearing Housing FC	1	
54, 55	143-070-23	Pan Screw M5x6 SWRM	5	
54, 55	030-156-18	Oil Lifter H-35(A)(T) Resin	1	
54, 55	030-150-12	Seal Stopper H-35(A)(T) SPCC	1	
56	029-192-12	Oil Casinq NKZ2-80H FC	1	
57	122-299-12	O-Ring (Seal Housing/P.Casing) 260xd3.8 NBR	1	
58	020-540-12	Pump Casing NKZ2-80H FC	1	
59	142-116-29	Plain Washer M12(D=21) SPC	6	
60	140-098-15	Hex.Bolt M12x35 SUS304	6	
61	144-124-26	Stud Bolt M12x137(16/18) SUS403 (EN X6Cr13) Stainless Steel	3	
62	141-007-10	Hex.Nut M12 SUS304	3	
63	146-025-19	Retaining Ring C40 SK-5	1	
64	142-164-19	Spring Washer M10 SUS304	4	
65	140-079-10	Hex.Bolt M10x40 SUS304 (EN X5Cr18-10)	4	
66	121-247-12	Packing d12.3xd18x2t PE	1	
67	035-113-18	Oil Plug M12x14 SUS304 (EN X5CrNi18-10) Stainless Steel	1	Price on req.
68	025-000-97	Mechanical Seal H-35 (ROHS)(T) SIC	1	
69	122-330-16	O-Ring 155xd3.8 NBR	1	
70	142-164-19	Spring Washer M10 SUS304	4	
71	140-000-01	Hex.Bolt M10x30(B=14) SUS304 (EN X5CrNi18-10) Stainless Steel	4	
72	140-000-01	Hex.Bolt M10x30(B=14) SUS304 (EN X5CrNi18-10) Stainless Steel	4	
73	032-119-28	Hose Coupling 80mm(D3/B3) FC	1	
73	032-437-12	Hose Coupling (for EUR)IKTV(BSP-3) FC	1	
74	121-141-15	Packing KRB-3/4 Type NR	1	
75	026-225-16	Oil Seal VC-60756 NBR	1	
76	026-000-12	Oil Seal DD-718195 (NBR)	1	
77	040-113-14	Impeller Shim d32.5xd48x0.3t SUS304 (EN X5CrNi18-10)	1	
78	021-265-13	Impeller (50Hz) HiCrFC	1	
78	021-002-49	Impeller (60Hz) HiCrFC	1	Price on req.
79	047-107-16	Impeller Thread Protect.Cover No.6(33) SPC	1	
80	142-171-19	Spring Washer M30 SUS304	1	
81	024-116-17	Stirrer No.2(M30) FCD	1	
82	120-147-18	Packing d312.5xd360x0.5t PE	1	
83	022-531-16	Suction Cover NKZ2-80/100H FCD	1	
84	023-282-12	Strainer NKZ2-80/100H SPC	1	
85	049-118-16	Bottom Plate NKZ-2.2/11KW SPC	1	
	173-442-10	Packing & O-Ring Set	1	
	##oilVG32	ml Turbine Oil ISO VG32	1100	Price on req.