

NKZ3-80H

Kontroll-Nr. --

2018-10-16 V.18 / 1.10.2015

NKZ3-80H			
Item	Item no.	Description	Quant.
1	001-TEG-09	Cable Set (20m) H07RN-F4C2,5mm ² without stuffing box	1
1	M01-TEG-09	Cable Set (20m) NSSHÖU 4C2,5mm ²	1
2	141-004-17	Hex.Nut 380/440/460V-60Hz M6 SUS304 (EN X5Cr18-10)	1
3	010-120-18	Cable Clip No.2-1 SPC	1
4	010-121-19	Cable Clip Rubber No.1 NBR	1
5	140-032-11	Hex.Bolt M6x15 SUS304 (EN X5CrNi18-10) Stainless Steel	1
6	140-035-27	Hex.Bolt M6x20 SUS304 (EN X5CrNi18-10) Stainless Steel	2
7	070-107-18	Cable Clamp FC	1
8	008-143-13	Mould Cover KR2-8 CR	1
9	002-129-15	Heat Shrink Tube (Sold per meter) EVA(d14x1t) (Vm)	1
10	002-132-11	Heat Shrink Tube (Sold per meter) A4(d17x0.3t) (Vm)	1
11	140-055-10	Hex.Bolt M8x25 SUS304 (EN X5CrNi18-10)	4
12	006-126-14	Stuffing Box No.2 FC	1
13	009-123-10	Terminal P-5.5 CU	3
14	009-101-12	Terminal(C/W Screw) d12x(d6.6xd6.6)x25l BSBM	3
15	009-123-10	Terminal P-5.5 CU	3
16	095-131-18	Chain d4(3-Link) SS	1
17	070-103-10	Cable Clamper (SS)	1
18	143-805-34	Pan Screw (w/spring washer /plain washer) M4x6 (SWRM)	1
19	009-122-19	Terminal R-3.5-4 CU	1
20	050-367-16	Motor Bracket FC	1
21	122-410-11	O-Ring 190xd3.8 NBR	1
22	053-222-17	Motor Protector 380/400/415V-50HZ KA314-HMXL00 (H.C)	1
23	142-124-20	Plain Washer M4 SPC	2
24	142-160-31	Spring Washer M4 SWRH	2
25	143-016-18	Pan Screw M4x12 SWRM	2
26	142-197-11	Wave Washer #6305 SK-5	1
27	147-024-11	Impeller Key 8x8x38L SUS420 (EN X20Cr13)	1
28	011-110-11	Shackle 6mm SS	1
29	140-081-15	Hex.Bolt M10x50 SUS304 (EN X5CrNi18-10) Stainless Steel	4
30	142-164-19	Spring Washer M10 SUS304 (EN X5CrNi18-10)	4
31	142-128-24	Plain Washer M10 Kaltgewalztes Blech	1
32	068-236-10	Handle NKZ3-5.5KW SGP+SPC	1
33	142-128-11	Plain Washer M10 SUS304 (EN X5CrNi18-10)	4
34	121-343-19	Packing d9.5xd16x5t NBR	4
35	140-052-17	Hex.Bolt M8x16 SUS304 (EN X5Cr18-10)	2
36	046-000-05	Air Release Valve GSZ/NKZ/B SPCC	1
37	203-017-18	Ball d28 NBR	1
38	121-151-18	Packing (Air Release Valve) P.C.80xd50 CR	1
39	052-108-13	Bearing 6305ZZC3	1
40	058-155-13	Lead Wire Protection Plate d78xd180x1.6t Bakelite	1
41	055-569-15	Rotor	1
42	056-001-99	Stator	1
43	122-156-16	O-Ring G-250 NBR	1
44	065-158-18	Outer Cover NKZ2-5.5KW SS	1
45	122-156-16	O-Ring G-250 NBR	1
46	064-441-18	Motor Frame FC	1
47	122-410-11	O-Ring 190xd3.8 NBR	1
48	143-043-14	Pan Screw M6x12 SWRM	3
49	062-116-15	Bearing Fixing Plate d80xd115x3.2t SS	1
50	052-139-13	Bearing 6308ZZD2C3	1
51	140-099-16	Hex.Bolt M12x40 SUS304 (EN X5CrNi18-10)	4
52	142-165-10	Spring Washer M12 SUS304 (EN X5Cr18-10)	4
53	060-358-15	Bearing Housing FC	1
54, 55	143-070-10	Pan Screw M5x6 SWRM	2
54, 55	030-156-18	Oil Lifter H-35(A)(T) Resin	1
54, 55	143-070-10	Pan Screw M5x6 SWRM	3
54, 55	030-150-12	Seal Stopper H-35(A)(T) SPCC	1
56	029-192-12	Oil Casing NKZ2-80H FC	1
57	122-299-12	O-Ring (Seal Housing/P.Casing) 260xd3.8 NBR	1
58	020-540-12	Pump Casing NKZ2-80H FC	1
59	142-116-29	Plain Washer M12(D=21) SPC	6
60	140-098-15	Hex.Bolt M12x35 SUS304 (EN X5Cr18-10)	6
61	144-124-26	Stud Bolt M12x137(16/18) SUS403 (EN X6Cr13) Stainless Steel	3
62	141-007-10	Hex.Nut M12 SUS304 (EN X5CrNi18-10)	3
63	146-025-19	Retaining Ring C40 SK-5	1
64	142-164-19	Spring Washer M10 SUS304 (EN X5CrNi18-10)	4
65	140-079-10	Hex.Bolt M10x40 SUS304 (EN X5Cr18-10)	4
66	121-247-12	Packing (Oil Plug) d12.3xd18x2t PE	1
67	035-113-18	Oil Plug M12x14 SUS304 (EN X5Cr18-10)	1
68	025-195-13	Mechanical Seal H-35 SiC	1
69	122-330-16	O-Ring 155xd3.8 NBR	1
70	142-164-19	Spring Washer M10 SUS304 (EN X5CrNi18-10)	4
71	140-000-01	Hex.Bolt M10x30(B=14) SUS304 (EN X5CrNi18-10) Stainless Steel	4
72	140-000-01	Hex.Bolt M10x30(B=14) SUS304 (EN X5CrNi18-10) Stainless Steel	4
73	032-119-28	Hose Coupling 80mm(D3/B3) FC	1
73	032-437-12	Hose Coupling (for EUR)KTV(BSPT-3) FC	1
74	121-141-15	Packing KRB-3/4 Type NR	1
75	026-225-16	Oil Seal VC-60756 NBR	1
76	026-000-12	Oil Seal DD-718195 (NBR)	1
77	040-113-14	Impeller Shim d32.5xd48x0.3t SUS304 (EN X5CrNi18-10)	1
78	021-265-13	Impeller (50HZ) 50Hz HiCrFC	1

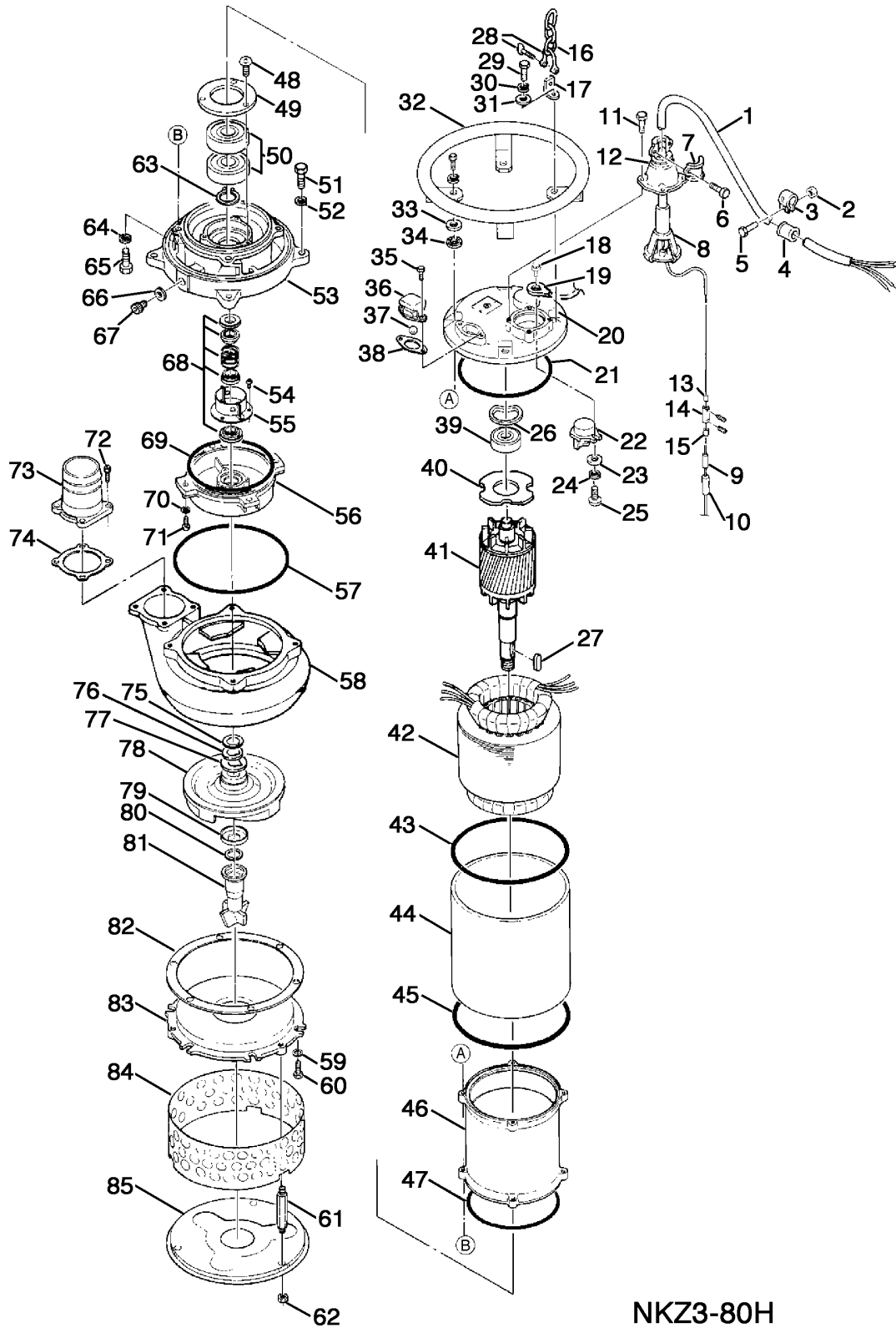
NKZ3-80H

Kontroll-Nr. --

2018-10-16 V.18 / 1.10.2015

NKZ3-80H			
Item	Item no.	Description	Quant.
79	047-107-16	Impeller Thread Protect.Cover No.6(33) SPC	1
80	142-171-19	Spring Washer M80 SUS304 (EN X5CrNi18-10) Stainless Steel	1
81	024-116-17	Stirrer No.2(M80) FCD	1
82	120-147-18	Packing d312.5xd360x0.5t PE	1
83	022-531-16	Suction Cover NKZ2-80/100H FCD	1
84	023-282-12	Strainer NKZ2-80/100H SPC	1
85	049-118-16	Bottom Plate NKZ-2.2/11KW SPC	1
	173-442-10	Packing & O-Ring Set	1
	##oilVG32	ml Turbine Oil ISO VG32	1100

Exploded View NKZ3-80H



NKZ3-80H