

NKZ3-100H

Kontroll-Nr. --

2018-10-16 V.18 / 1.10.2015

NKZ3-100H			
Item	Item no.	Description	Quant.
1	001-TEG-11	Cable Set (20m) H07RN-F4Cx4mm ² without stuffing box	1
1	M01-TEG-11	Cable Set (20m) NSSHÖU 4Cx4mm ²	1
2	141-004-17	Hex.Nut 380/440/460V-60Hz M6 SUS304 (EN X5Cr18-10)	1
3	010-120-18	Cable Clip No.2-1 SPC	1
4	010-121-19	Cable Clip Rubber No.1 NBR	1
5	140-032-11	Hex.Bolt M6x15 SUS304 (EN X5CrNi18-10) Stainless Steel	1
6	140-035-27	Hex.Bolt M6x20 SUS304 (EN X5CrNi18-10) Stainless Steel	2
7	070-107-18	Cable Clamp FC	1
8	008-150-13	Mould Cover KR3-12 CR	1
9	009-125-12	Terminal E (Small) CU	6
10	002-129-15	Heat Shrink Tube (Sold per meter) EVA(d14x1t) (Vm)	1
11	002-132-11	Heat Shrink Tube (Sold per meter) A4(d17x0.3t) (Vm)	1
12	140-055-10	Hex.Bolt M8x25 SUS304 (EN X5CrNi18-10)	4
13	006-127-15	Stuffing Box No.3 FC	1
14	009-101-12	Terminal (C/W Screw) d12x(d6.6x6.6)x25l BSBM	3
15	095-131-18	Chain d4(3-Link) SS	1
16	070-103-10	Cable Clamper (SS)	1
17	143-041-12	Pan Screw M6x8 SWRM	1
18	142-162-33	Spring Washer M6 SWRH	1
19	009-106-17	Terminal R-8-6 CU	1
20	050-368-17	Motor Bracket FC	1
21	122-250-11	O-Ring 230xd3.8 NBR	1
22	053-398-15	Motor Protector 380V-50HZ KA314-HLYL00 (B.C)	1
23	142-124-20	Plain Washer M4 SPC	2
24	142-160-31	Spring Washer M4 SWRH	2
25	143-017-19	Pan Screw M4x14 SWRM	2
26	142-199-13	Wave Washer #6208/6307 SK-5	2
27	055-572-11	Rotor	1
28	147-024-11	Impeller Key 8x8x38L SUS420 (EN X20Cr13)	1
29	011-110-11	Shackle 6mm SS	1
30	140-081-15	Hex.Bolt M10x50 SUS304 (EN X5CrNi18-10) Stainless Steel	4
31	142-164-19	Spring Washer M10 SUS304 (EN X5CrNi18-10)	4
32	142-128-24	Plain Washer M10 Kaltgewalztes Blech	1
33	068-172-17	Handle NKZ2-11KW SGP+SPC	1
34	142-128-11	Plain Washer M10 SUS304 (EN X5CrNi18-10)	4
35	121-343-19	Packing d9.5xd16x5t NBR	4
36	140-052-17	Hex.Bolt M8x16 SUS304 (EN X5Cr18-10)	2
37	046-000-05	Air Release Valve GSZ/NKZ/B SPCC	1
38	203-017-18	Ball d28 NBR	1
39	121-151-18	Packing (Air Release Valve) P.C.80xd50 CR	1
40	052-110-18	Bearing 6307ZZC3	1
41	058-125-14	Lead Wire Protection Plate d110xd190x1.2t SPC+NBR	1
42	142-162-33	Spring Washer M6 SWRH	2
43	143-042-13	Pan Screw M6x10 SWRM	2
44	056-001-99	Stator	1
45	122-161-14	O-Ring G-300 NBR	1
46	065-159-19	Outer Cover NKZ2-11KW SS	1
47	122-161-14	O-Ring G-300 NBR	1
48	064-302-16	Motor Frame FC	1
49	122-250-11	O-Ring 230xd3.8 NBR	1
50	140-052-33	Hex.Bolt M8x16 SWRM	3
51	062-158-19	Bearing Fixing Plate d95xd144x4.5t SPCC	1
52	061-142-17	Bearing Collar d50xd70x3t SPC	1
53	052-141-18	Bearing 6310ZZD2C3	1
54	140-099-16	Hex.Bolt M12x40 SUS304 (EN X5CrNi18-10)	6
55	142-165-10	Spring Washer M12 SUS304 (EN X5Cr18-10)	6
56	060-247-10	Bearing Housing FC	1
57, 58	143-070-10	Pan Screw M5x6 SWRM	2
57, 58	030-156-18	Oil Lifter H-35(A)(T) Resin	1
57, 58	143-070-10	Pan Screw M5x6 SWRM	3
57, 58	030-150-12	Seal Stopper H-35(A)(T) SPCC	1
59	029-193-13	Oil Casing NKZ2-100H FC	1
60	122-295-18	O-Ring 310xd3.8 NBR	1
61	020-541-13	Pump Casing NKZ2-100H FC	1
62	142-116-29	Plain Washer M12(D=21) SPC	6
63	140-098-15	Hex.Bolt M12x35 SUS304 (EN X5Cr18-10)	6
64	144-124-26	Stud Bolt M12x137(16/18) SUS403 (EN X6Cr13) Stainless Steel	3
65	141-007-10	Hex.Nut M12 SUS304 (EN X5CrNi18-10)	3
66	146-029-13	Retaining Ring C50 SK-5	1
67	142-164-19	Spring Washer M10 SUS304 (EN X5CrNi18-10)	4
68	140-079-10	Hex.Bolt M10x40 SUS304 (EN X5Cr18-10)	4
69	121-247-12	Packing (Oil Plug) d12.3xd18x2t PE	1
70	035-113-18	Oil Plug M12x14 SUS304 (EN X5Cr18-10)	1
71	025-195-13	Mechanical Seal H-35 SiC	1
72	122-251-12	O-Ring 205xd3.8 NBR	1
73	142-164-19	Spring Washer M10 SUS304 (EN X5CrNi18-10)	4
74	140-000-01	Hex.Bolt M10x30(B=14) SUS304 (EN X5CrNi18-10) Stainless Steel	4
75	140-000-01	Hex.Bolt M10x30(B=14) SUS304 (EN X5CrNi18-10) Stainless Steel	4
76	032-126-28	Hose Coupling 100mm(C4/A4) FC	1
76	032-438-13	Hose Coupling (for EUR)KTV(BSPT-4) FC	1
77	121-141-15	Packing KRB-3/4 Type NR	1
78	026-225-16	Oil Seal VC-60756 NBR	1

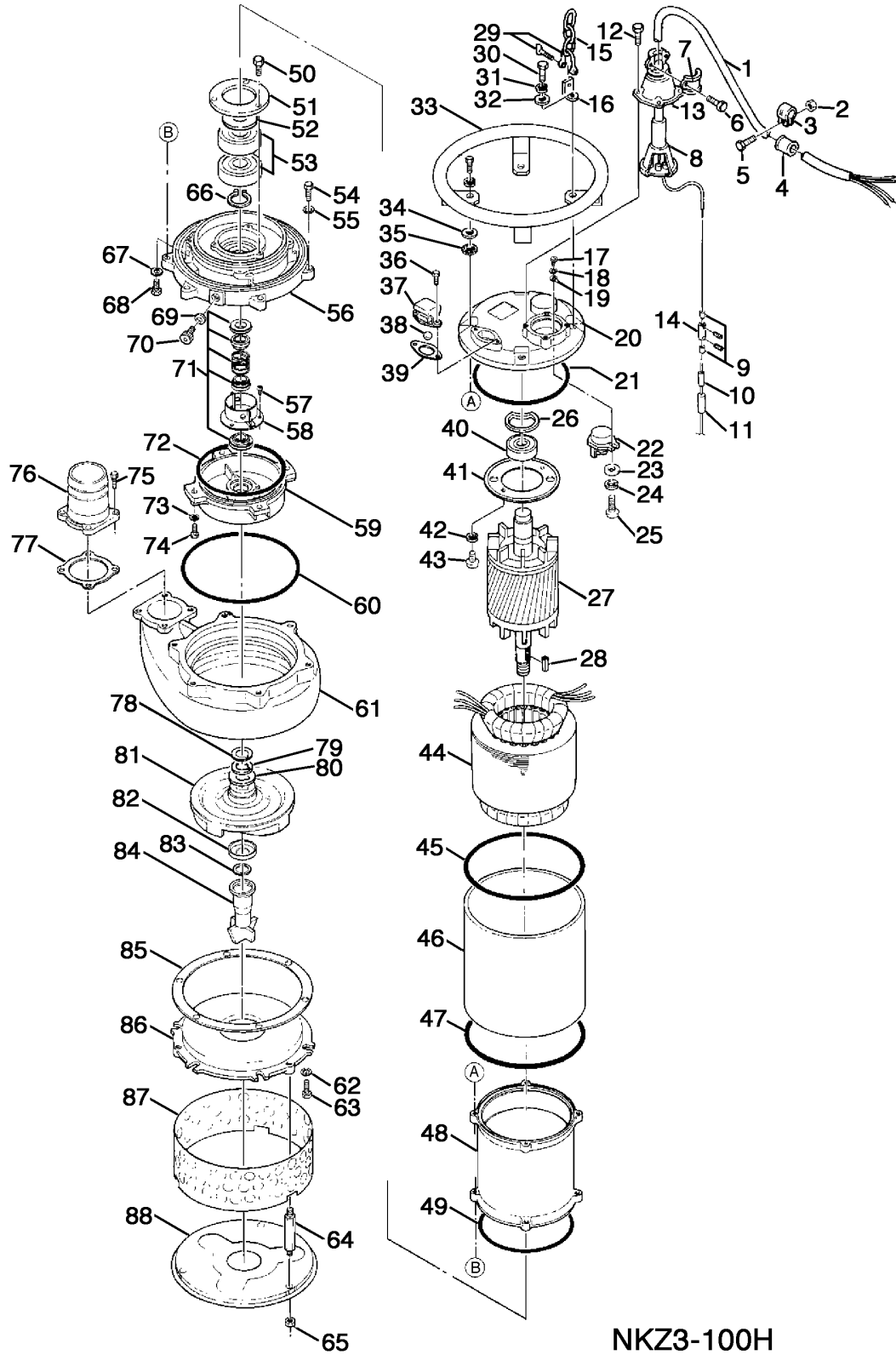
NKZ3-100H

Kontroll-Nr. --

2018-10-16 V.18 / 1.10.2015

NKZ3-100H			
Item	Item no.	Description	Quant.
79	026-000-12	Oil Seal DD-718195 (NBR)	1
80	040-113-14	Impeller Shim d32.5xd48x0.3t SUS304 (EN X5CrNi18-10)	1
81	021-267-15	Impeller (50HZ) 50Hz HiCrFC	1
82	047-107-16	Impeller Thread Protect.Cover No.6(33) SPC	1
83	142-171-19	Spring Washer M30 SUS304 (EN X5CrNi18-10) Stainless Steel	1
84	024-116-17	Stirrer No.2(M30) FCD	1
85	120-147-18	Packing d312.5xd360x0.5t PE	1
86	022-531-16	Suction Cover NKZ2-80/100H FCD	1
87	023-282-12	Strainer NKZ2-80/100H SPC	1
88	049-118-16	Bottom Plate NKZ-2.2/11KW SPC	1
	173-372-18	Packing & O-Ring Set	1
	##oilVG32	ml Turbine Oil ISO VG32	2500

Exploded View NKZ3-100H



NKZ3-100H