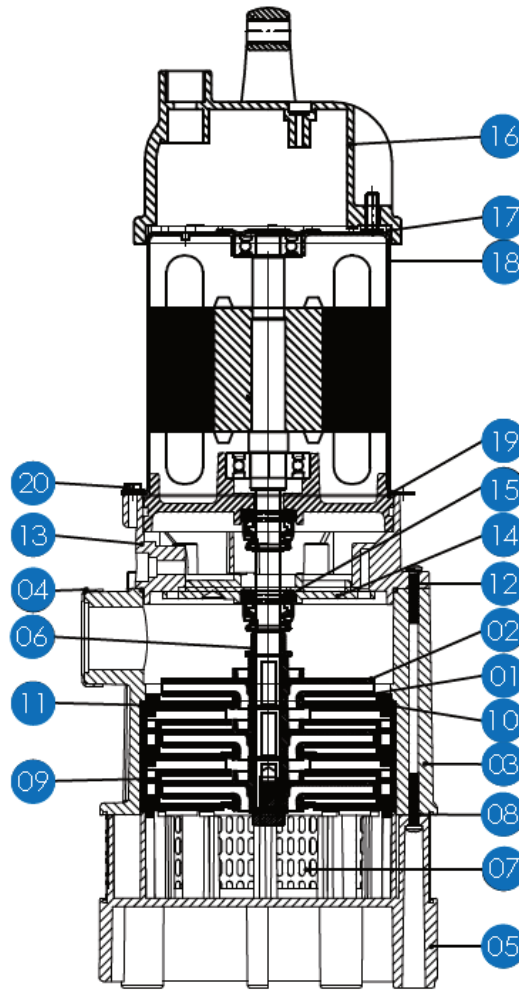


**Structures and parts list**



Construction					
No.	Description	No.	Description	No.	Description
1	Upper impeller	8	Screw	15	Mechanical seal
2	Lower impeller	9	Diffuser	16	Top cover
3	Pump casing	10	Stop Plate	17	Packing
4	Discharge ring	11	Impeller bushing	18	Motor casing
5	Bottom	12	Screw	19	O-ring
6	Sleeve	13	Seal Plate	20	Screw
7	Strainer	14	Oil Seal Cover		