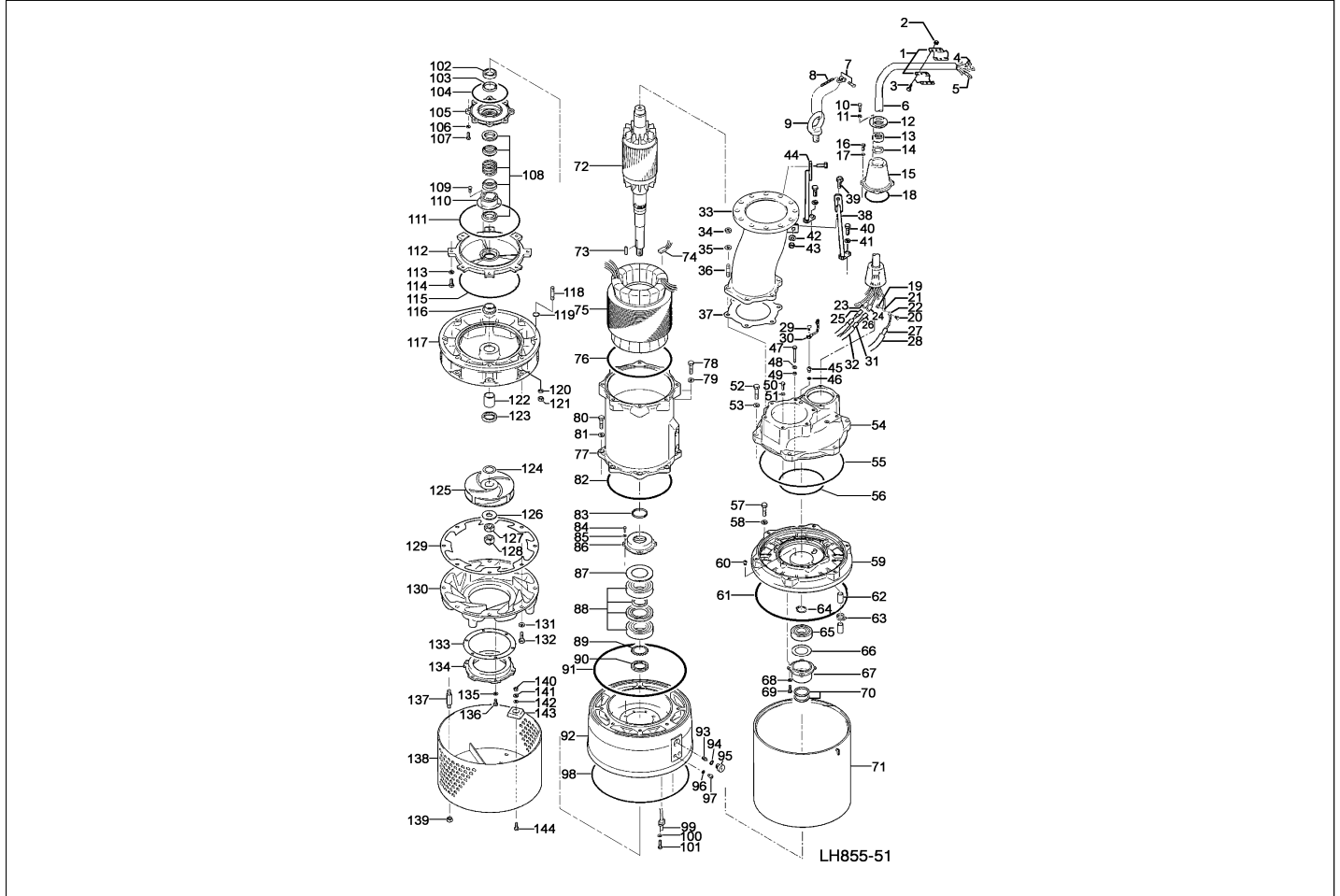


LH855-51

Kontroll-Nr. --

2024-04-11 V.01.02.2023

Pos.no	Item no.	Description	Qty.	UP / EUR
--------	----------	-------------	------	----------



1.1.1	173-002-26	Packing & O-Ring Set	1	
1	010-000-36	Cable Clip (N)SSHOU-J SS	1	
2	141-005-18	Hex.Nut M8 SUS304 (EN X5CrNi18-10)	4	
3	140-055-10	Hex.Bolt M8x25 SUS304	4	
4	009-113-17	Terminal R-38-10 CU	7	
5	009-116-10	Terminal R2-4	3	
6	M01-TEG-40(N)	Cabtyre Cable Set (20m) (N)SSHÖU 7x35+1x (3x2.5ST) LH37-75KW	1	
6	001-009-19	Cabtyre Cable Set(20m)380/400/415V-50Hz(EUR,NSU) (N)SSHOEU-J 7x35mm2+1x(3x2.5ST)	1	
7	011-101-19	Shackle 6mm SS	1	
8	095-100-18	Chain d5(9-Link) SS	1	
9	072-108-44	Eye Bolt M30 SS	2	
10	140-081-31	Hex.Bolt M10x50 SUS304 (EN X5CrNi18-10) Stainless Steel	4	
11	141-006-19	Hex.Nut M10 SUS304 (EN X5CrNi18-10)	4	
12	003-000-41	Gland No.8 (NISSHO) FC	1	
13	004-000-41	Cable Bush 85X50X60L NBR	1	
14	005-000-21	Busch Washer 84,5x51x3,2t	1	
15	006-000-51	Stuffing Box No.8 (NISSHO) FC	1	
16	140-078-19	Hex.Bolt M10x30 SUS304	4	
17	142-164-19	Spring Washer M10 SUS304	4	
18	122-135-19	O-Ring G-120(119.4xd3.1) NBR	1	
19	141-004-59	Hex.Nut M6 SWRM	7	
20	140-029-28	Hex.Bolt M6x10 SWRM	7	Price on req.
21	009-108-19	Terminal R-38-6 CU	7	
22	009-107-18	Terminal R-14-6 CU	6	
23	009-114-18	Connector PC-4020M	2	
24	009-115-19	Connector PC-4020F	1	
25	009-115-19	Connector PC-4020F	2	
26	009-114-18	Connector PC-4020M	1	
27	002-000-18	Heat Shrink Tube (Sold per meter) W3F2(3/4IN) (Vm)	1	Price on req.
28	200-000-23	Electrical tape(30M) 540S(0.18T-30Wx30M)	1	Price on req.
29	143-000-58	Pan Screw (w/Spring Washer/Plain Washer) M6x12 SWRM	1	
30	009-107-18	Terminal R-14-6 CU	2	
31	002-128-14	Heat Shrink Tube (Sold per meter) EVA(d10x1t) (Vm)	1	
32	002-164-12	Heat Shrink Tube (Sold per meter)A4(d13x0.3t)(JPY /m)	1	
33	037-000-68	Center Flange Discharge Pipe JIS10Kx200(L=415) SGP+SS	1	Price on req.
34	141-008-11	Hex.Nut M16 SUS304 (EN X5CrNi18-10)	1	
35	142-166-11	Spring Washer M16 SUS304	1	
36	144-436-24	Stud Bolt M16x69(28/24) SUS304 (EN X5CrNi18-10) Stainless Steel	1	
37	121-500-16	Packing LH637/875 THREE SHEET	1	
38	127-000-41	Stay (Right) LH855/875-51/61 SS	1	Price on req.

LH855-51

Kontroll-Nr. --

2024-04-11 V.01.02.2023

Pos.no	Item no.	Description	Qty.	UP / EUR
39	140-126-13	Hex.Bolt M16x50 SUS304 (EN X5CrNi18-10) Stainless Steel	2	
40	140-124-11	Hex.Bolt M16x40 SUS304 (EN X5Cr18-10)	2	
41	142-166-11	Spring Washer M16 SUS304	2	
42	142-166-11	Spring Washer M16 SUS304	2	
43	141-008-11	Hex.Nut M16 SUS304 (EN X5CrNi18-10)	2	
44	127-000-42	Stay (Left) LH855/875-51/61 SS	1	Price on req.
45	035-113-18	Oil Plug M12x14 SUS304 (EN X5CrNi18-10) Stainless Steel	1	Price on req.
46	121-247-12	Packing d12.3xd18x2t PE	1	
47	140-093-10	Hex.Bolt M10x120 SUS304 (EN X5CrNi18-10) Stainless Steel	2	
48	142-164-19	Spring Washer M10 SUS304	2	
49	142-297-12	Seal Washer SM-10 Stainless Steel+NBR	2	
50	140-078-19	Hex.Bolt M10x30 SUS304	1	
51	142-164-19	Spring Washer M10 SUS304	1	
52	140-130-10	Hex.Bolt M16x70 SUS304 (EN X5Cr18-10)	6	
53	142-166-11	Spring Washer M16 SUS304	6	
54	051-231-13	Motor Head Cover FC	1	
55	122-503-12	O-Ring 435xd6 NBR	1	
56	122-344-13	O-Ring 234.3xd5.7 NBR	1	
57	140-130-10	Hex.Bolt M16x70 SUS304 (EN X5Cr18-10)	8	
58	142-166-11	Spring Washer M16 SUS304	8	
59	050-000-62	Motor Bracket FC	1	Price on req.
60	148-002-16	Grease Nipple A-PT1/8 BSBM	1	
61	122-000-45	O-Ring V-500(494.5xd10) NBR	1	Price on req.
62	002-140-12	Heat Shrink Tube (Sold per meter) ST-110DG(d19) (Vm)	1	
63	181-104-12	Cable Tie T18R (100Lx2.5Bx22D)	2	Price on req.
64	146-029-13	Retaining Ring C50 SK-5	1	
65	052-137-11	Bearing NU310C3	1	
66	061-000-04	Bearing Collar d74xd109x1.2t SS	1	
67	113-000-02	Upper Bearing Grease Cover LH675/855-51/61 FC	1	
68	142-163-34	Spring Washer M8 SWRH	4	
69	140-055-49	Hex.Bolt M8x25 SWRM	4	
70	121-001-16	Packing 6.4x6.4x235 Felt	2	
71	065-000-43	Outer Cover SS	1	Price on req.
72	055-001-70	Rotor	1	Price on req.
73	147-058-14	Impeller Key 12x8x52L SUS420 (EN-X20Cr13)	1	
74	053-001-67	Motor Protector YS11A135A-D20 (H)	3	
75	056-005-11	Stator 380/400/415V-50Hz	1	Price on req.
76	122-000-44	O-Ring G-350(349.3xd5.7) NBR	1	Price on req.
77	064-000-95	Motor Frame FC	1	Price on req.
78	140-098-31	Hex. Bolt M12x35 SWRM	2	Price on req.
79	142-427-13	Seal Washer WD-12 SPC+NBR	2	
80	140-130-10	Hex.Bolt M16x70 SUS304 (EN X5Cr18-10)	8	
81	142-166-11	Spring Washer M16 SUS304	8	
82	122-000-44	O-Ring G-350(349.3xd5.7) NBR	1	Price on req.
83	121-001-17	Packing 6.4x6.4x255 Felt	1	
84	140-076-33	Hex.Bolt M10x30 SWRM	4	
85	142-164-35	Spring Washer M10 SWRH	4	Price on req.
86	062-000-13	Bearing Cover LH675/855-51/61 FC	1	
87	061-000-10	Bearing Collar d115xd139x3.2t SS	1	
88	052-000-59	Bearing 7313ATDBC3	1	
89	142-246-16	Bearing Washer AW13 SPCC	1	
90	141-078-12	Bearing Nut AN13 SS	1	
91	122-000-45	O-Ring V-500(494.5xd10) NBR	1	Price on req.
92	060-001-11	Bearing Housing FC	1	Price on req.
93	148-002-16	Grease Nipple A-PT1/8 BSBM	1	
94	122-024-14	O-Ring P-25(24.7xd3.5) NBR	1	Price on req.
95	144-000-47	Grease Plug M25x20 SUS304 (EN X5CrNi18-10) Stainless Steel	1	Price on req.
96	121-247-12	Packing d12.3xd18x2t PE	2	
97	035-113-18	Oil Plug M12x14 SUS304 (EN X5CrNi18-10) Stainless Steel	2	Price on req.
98	122-307-14	O-Ring (P.Casing/Suction Plate) 510xd5.7 NBR	1	
99	090-122-11	Leakage Sensor(Electrode) d9x43L SUS	1	
100	142-161-32	Spring Washer M5 SWRH	2	Price on req.
101	140-021-33	Hex.Bolt M5x20 SWRM	2	Price on req.
102	026-188-16	Oil Seal TC-60759 NBR	1	
103	071-000-38	Spacer d65xd74x3.2t SS	1	Price on req.
104	122-149-16	O-Ring G-190 NBR	1	
105	113-000-03	Lower Bearing Grease Cover LH675/855-51/61 FC	1	Price on req.
106	142-164-19	Spring Washer M10 SUS304	8	
107	140-078-19	Hex.Bolt M10x30 SUS304	8	
108	025-001-17	Mechanical Seal H-50T SIC	1	
109	143-028-13	Pan Screw M5x10 SWRM	3	
110	030-133-19	Oil Lifter H-50(T) SPCC	1	
111	122-308-15	O-Ring (M.Frame/Brg.Housing) 320xd5.7 NBR	1	
112	029-178-12	Oil Casing GH-750H/L FC	1	
113	142-165-10	Spring Washer M12 SUS304 (EN X5CrNi18-10) Stainless Steel	8	Price on req.
114	140-097-14	Hex.Bolt M12x30 SUS304	8	
115	122-308-15	O-Ring (M.Frame/Brg.Housing) 320xd5.7 NBR	1	
116	071-142-18	Shaft Sleeve (Upper) GH-550/750 SUS403 (EN X6Cr13)	1	
117	020-A84-13	Pump Casing (Upper) LH855/675(w/Labyrinth Ring) FC	1	
117.1	026-166-21	Labyrinth Ring LH855/LH675/LH875 SUS304 (EN X5CrNi18-10) Stainless Steel	1	
118	144-160-24	Stud Bolt M16x80 SUS304 (EN X5CrNi18-10) Stainless Steel	8	
119	122-016-13	O-Ring P-16(15.8xd2.4) NBR	8	
120	142-166-11	Spring Washer M16 SUS304	8	

LH855-51

Kontroll-Nr. --

2024-04-11 V.01.02.2023

Pos.no	Item no.	Description	Qty.	UP / EUR
121	141-008-11	Hex.Nut M16 SUS304 (EN X5CrNi18-10)	8	
122	071-153-12	Shaft Sleeve (Lower) d45xd49x57.5L SUS403 (EN X6Cr13)	1	
123	026-177-12	Oil Seal TCN-557812 NBR	1	
124	040-127-11	Impeller Shim d45.2xd68x0.3t SUS304 (EN X5CrNi18-10)	1	
125	021-008-29	Impeller (50Hz) LH855-51 HiCrFC	1	
126	142-274-13	Impeller Fixing Washer d33xd75x6t SUS304 (EN X5CrNi18-10)	1	
127	141-012-50	Hex.Nut M30(H=18) SUS304 (EN X5CrNi18-10)	1	
128	141-036-18	Hex.Cap Nut M30 SUS304 (EN X5CrNi18-10)	1	
129	121-000-31	Packing d403xd516x0.6t(855/875)THREE SHEET	1	
130	020-428-42	Pump Casing (Lower) GH-550/750L FC	1	
131	142-166-11	Spring Washer M16 SUS304	8	
132	140-125-12	Hex.Bolt M16x45 SUS304	8	
133	120-118-10	Packing (S.Cover) d211xd274x0.5t PE	1	
134	034-118-10	Suction Mouth GH-750H/L HiCrFC	1	
135	142-165-10	Spring Washer M12 SUS304 (EN X5CrNi18-10) Stainless Steel	6	Price on req.
136	140-096-13	Hex.Bolt M12x25 SUS304	6	
137	144-128-17	Stud Bolt M16x110(24/24) SUS403 (EN X6Cr13)	4	
138	023-266-10	Strainer Stand GH-750L SS	1	
139	141-008-11	Hex.Nut M16 SUS304 (EN X5CrNi18-10)	4	
140	141-007-10	Hex.Nut M12 SUS304	3	
141	142-165-10	Spring Washer M12 SUS304 (EN X5CrNi18-10) Stainless Steel	3	Price on req.
142	142-129-12	Plain Washer M12 SUS304	3	
143	043-102-19	Cathodic Protection Plate AB-1HS(75x70x20t) Al	3	
144	140-097-14	Hex.Bolt M12x30 SUS304	3	
	173-002-26	Packing & O-Ring Set	1	
	##oilVG32	ml Turbine Oil ISO VG32	6100	Price on req.