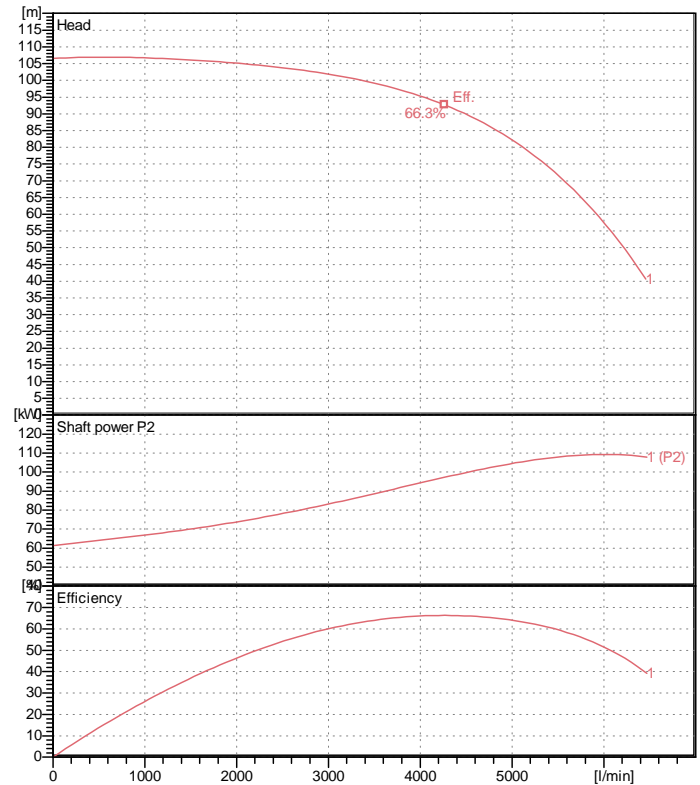
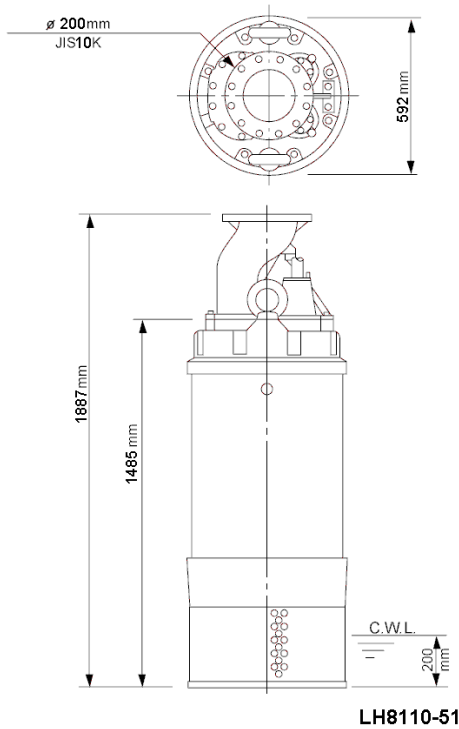


# Data sheet LH8110-51



## Specification

Electric submersible pump  
 Degree of protection IP 68  
 Depth of submersion max. 30 m  
 Type of impeller Closed  
 Max. solid handling 20 mm  
 Suitable for:  
 rain water, ground water, sand water

## Electric motor

Dry-type submersible induction motor  
 Insulation class F 2Poles 2965 1/min  
 Starting mode Star-delta  
 Rated voltage 400 V 50 Hz 3~  
 Power uptake 128.96 kW  
 Rated power 110.00 kW  
 Rated current 209 A  
 Start current 1366.9 A

## Cable

20m NSSHÖU(3Cx35mm<sup>2</sup>,3x16mm<sup>2</sup>/3E,2x2,5ST);NSSHÖU (3Cx35mm<sup>2</sup>, 3x16mm<sup>2</sup>/3E)

## Motor Protection

Miniature protector in windings  
 (snap-action bi-metal device)

## Shaft seal

Leak sensor in oil chamber  
 Double inside mechanical seal in oil bath  
 additional lubrication by oil lifting device  
 Primary seal  
 Silicon carbide on silicon carbide  
 Secondary seal  
 Silicon carbide on silicon carbide

## Bearings

Shielded ball bearings, maintenance-free

## Materials

Impeller	Chromium iron casting
Upper Pump casing	FC200 (EN-GJL-200)
Lower Pump casing	FC200 (EN-GJL-200)
Wear Ring	Chromium iron casting
Motor Frame	FC200 (EN-GJL-200)
Shaft	SUS420J2 (EN-X30Cr13)

## Discharge size

200mm JIS10K flange

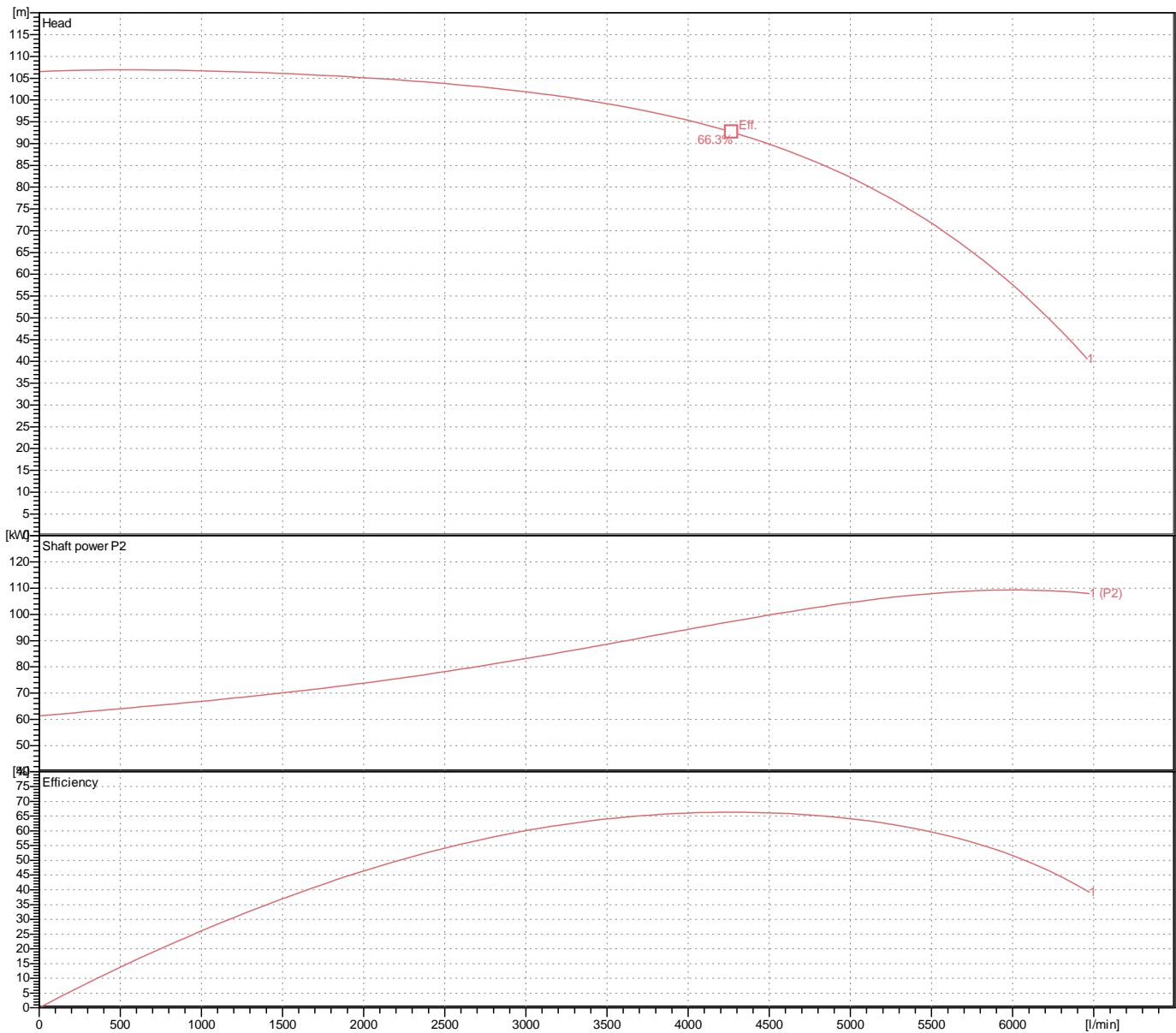
## Weight

1210 kg (dry weight of the pump only without cable)

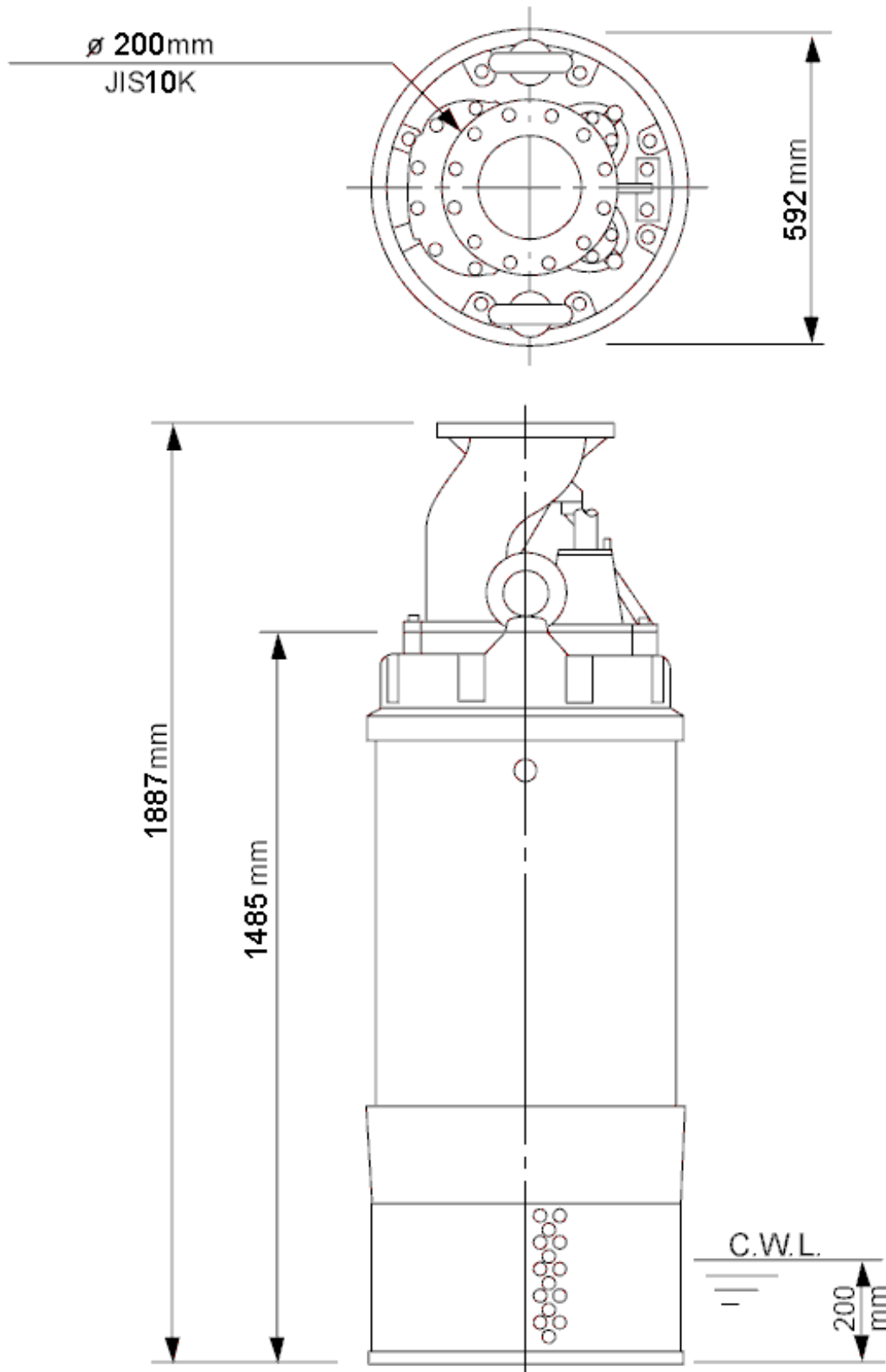
# Performance curve

## LH8110-51

Discharge port	8"
Head	106.5 m
Flow	6458.5 l/min
Rated power	110.00 kW
Power input	128.96 kW
Phases	3~
Voltages	400 V
Frequency	50 Hz
Rated current	209 A
Starting current	1,366.86 A
Number of poles	2
Speed	2965 1/min
Starting mode	Star-delta
Insulation class	F



# Dimensions LH8110-51



**LH8110-51**

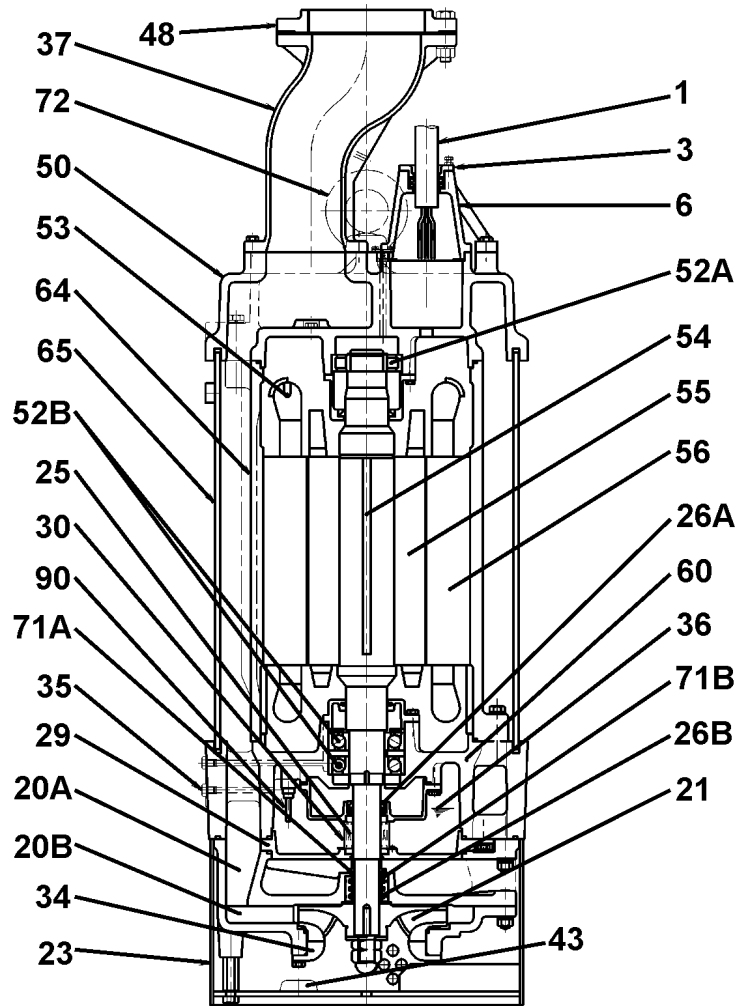
**CWL: Continuous running water level**  
**LWL: Lowest running water level**

 **TSURUMI PUMP**

Tsurumi Europe GmbH  
22.07.2016 V.18 / 1.10.2015

Helstorfer Str. 14 \* 40472 Düsseldorf \* Germany  
Tel.: +49-211-4179373 sales@tsurumi.eu  
Fax: +49-211-417937-480 www.tsurumi.eu

# Sectional drawing LH8110-51



**LH8110-51**

No.	Description	Remark	No.	Description	Remark
1	Cable	20m NSSHÖU	43	Sacrificial anode (3x)	Aluminium alloy
3	Gland	FC200 (EN-GJL-200)	48	Screwed Flange	FC200 (EN-GJL-200)
6	Stuffing box	FC200 (EN-GJL-200)	50	Motor cover	FC200 (EN-GJL-200)
20A	Upper Pump casing	FC200 (EN-GJL-200)	52A	Upper bearing	NU312C3
20B	Lower Pump casing	FC200 (EN-GJL-200)	52B	Lower bearing	7313ADB
21	Impeller	Chromium iron casting	53	Miniature protector (3x)	.
23	Strainer	Construction steel SS400	54	Shaft	SUS420J2 (EN-X30Cr13)
25	Mechanical seal	H-50TX	55	Rotor	.
26A	Oil seal	TC60759	56	Stator	.
26B	Labyrinth ring only	SUS403 (EN-X6Cr13)	60	Bearing Housing	FC200 (EN-GJL-200)
29	Oil casing	FC200 (EN-GJL-200)	64	Motor Frame	FC200 (EN-GJL-200)
30	Oil distributor	Plastic	65	Outer Cover	Construction steel SS400
34	Wear Ring	Chromium iron casting	71A	Upper shaft protection sleeve	SUS403 (EN-X6Cr13)
35	Oil screw (2x)	SUS403 (EN-X6Cr13)	71B	Lower shaft protection sleeve	SUS403 (EN-X6Cr13)
36	Lubricant	Turbine oil (ISO VG32)	72	Eye screw	Construction steel SS400
37	Discharge coupling	FCD700 (EN-GJS-700-2)	90	Density sensor	.