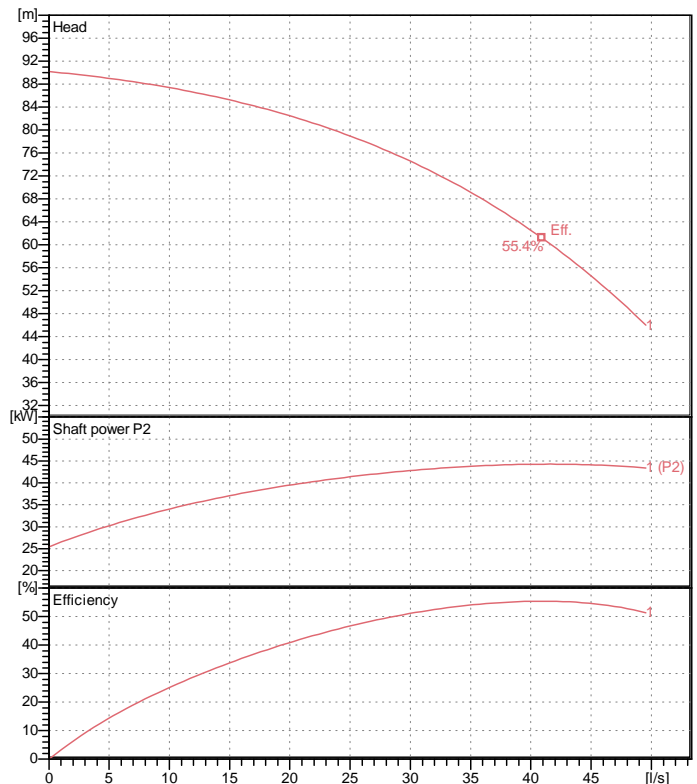
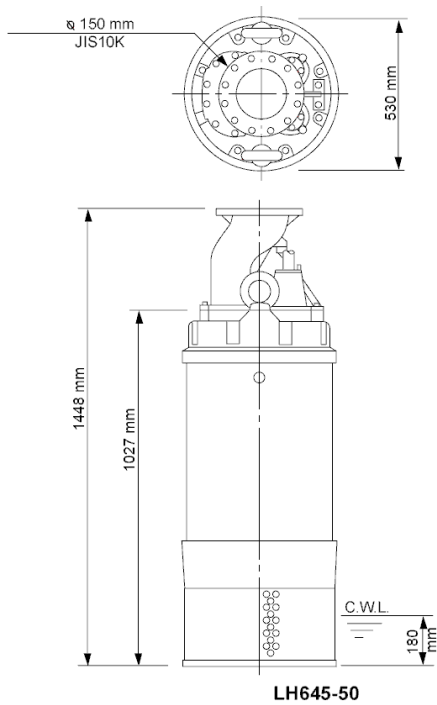


Data sheet LH645-50



Specification

Electric submersible pump
 Degree of protection IP 68
 Depth of submersion max. 30 m
 Type of impeller Closed
 Max. solid handling 6 mm
 Suitable for:
 rain water, ground water, sand water

Electric motor

Dry-type submersible induction motor
 Insulation class F 2Poles 2940 1/min
 Starting mode Star-delta
 Rated voltage 400 V 50 Hz 3~
 Power uptake 50.68 kW
 Rated power 45.00 kW
 Rated current 81 A
 Start current 600.2 A

Cable

20m NSSHÖU 7Cx35mm² + 3x2,5mm²ST

Motor Protection

Miniature protector in windings
 (snap-action bi-metal device)

Shaft seal

Double inside mechanical seal in oil bath
 additional lubrication by oil lifting device
 Primary seal
 Silicon carbide on silicon carbide
 Secondary seal
 Silicon carbide on carbon

Bearings

Shielded ball bearings, maintenance-free

Materials

| | |
|-------------|-----------------------|
| Impeller | Chromium iron casting |
| Pump casing | FC200 (EN-GJL-200) |
| Wear Ring | FC200 (EN-GJL-200) |
| Wear Ring | Chromium iron casting |
| Motor Frame | FC200 (EN-GJL-200) |
| Shaft | SUS420J2 (EN-X30Cr13) |

Discharge size

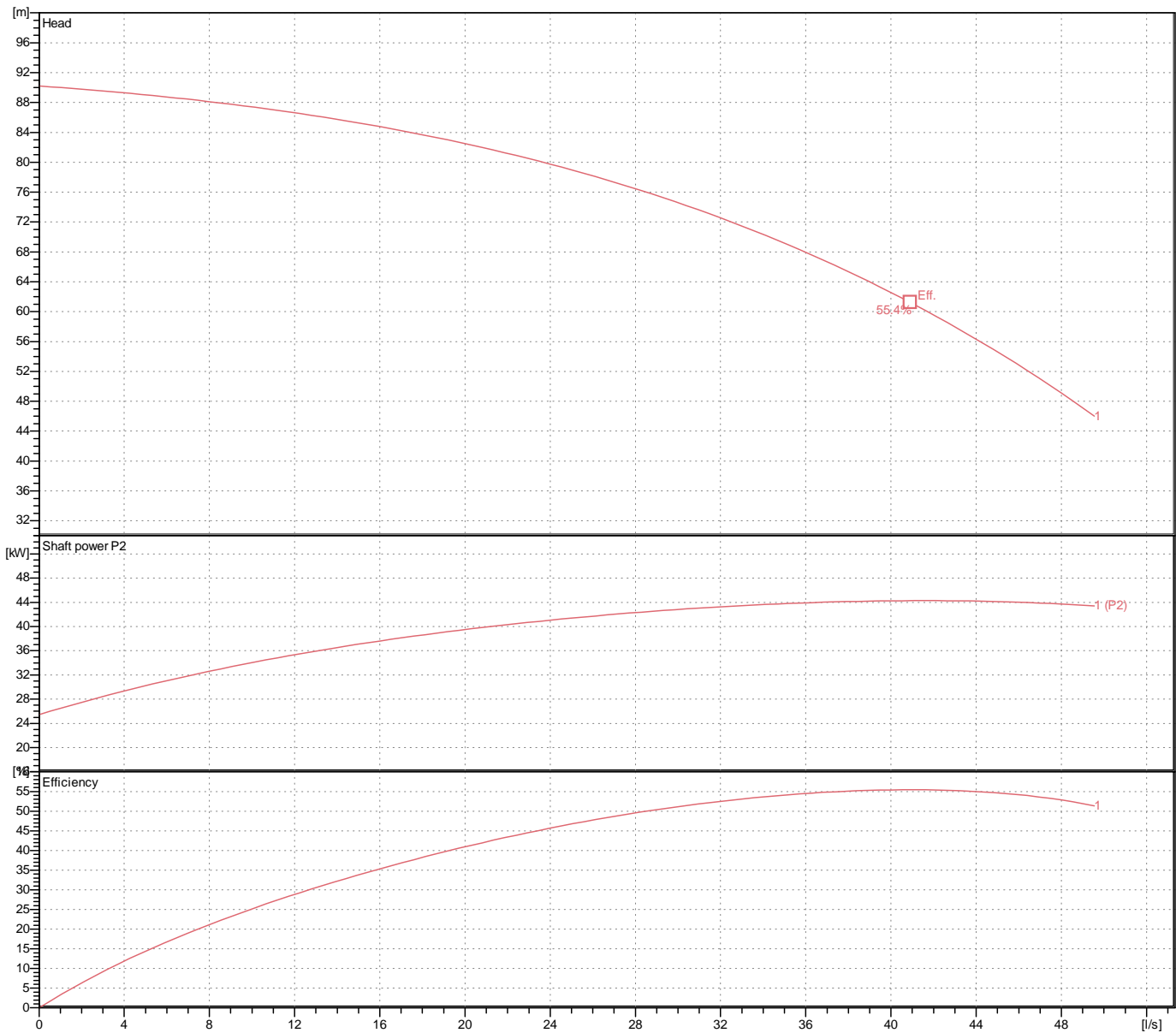
150mm JIS10K flange

Weight

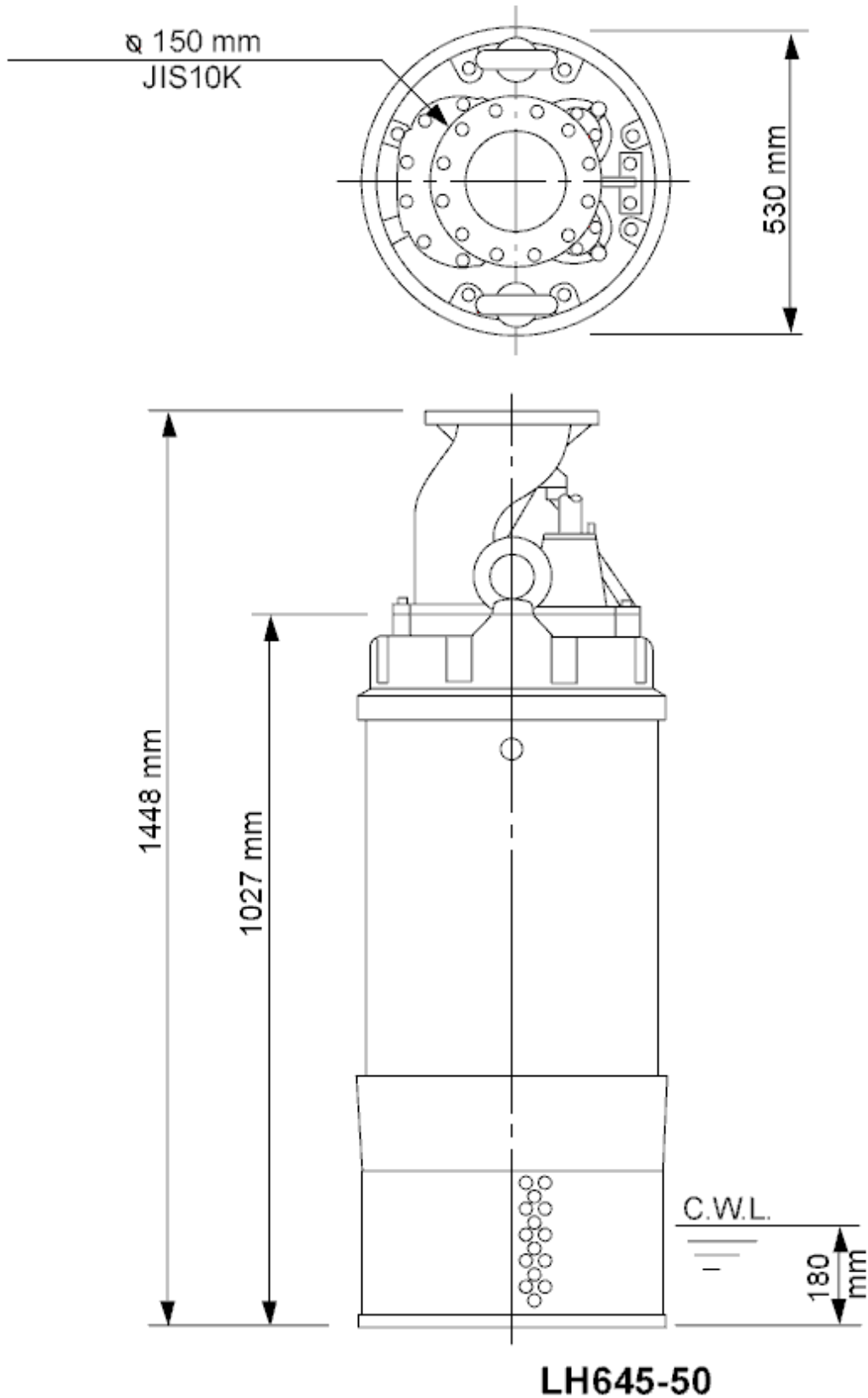
510 kg (dry weight of the pump only without cable)

Performance curve LH645-50

| | |
|------------------|------------|
| Discharge port | 6" |
| Head | 90.2 m |
| Flow | 49.6 l/s |
| Rated power | 45.00 kW |
| Power input | 50.68 kW |
| Phases | 3~ |
| Voltages | 400 V |
| Frequency | 50 Hz |
| Rated current | 81 A |
| Starting current | 600.21 A |
| Number of poles | 2 |
| Speed | 2940 1/min |
| Starting mode | Star-delta |
| Insulation class | F |



Dimensions LH645-50



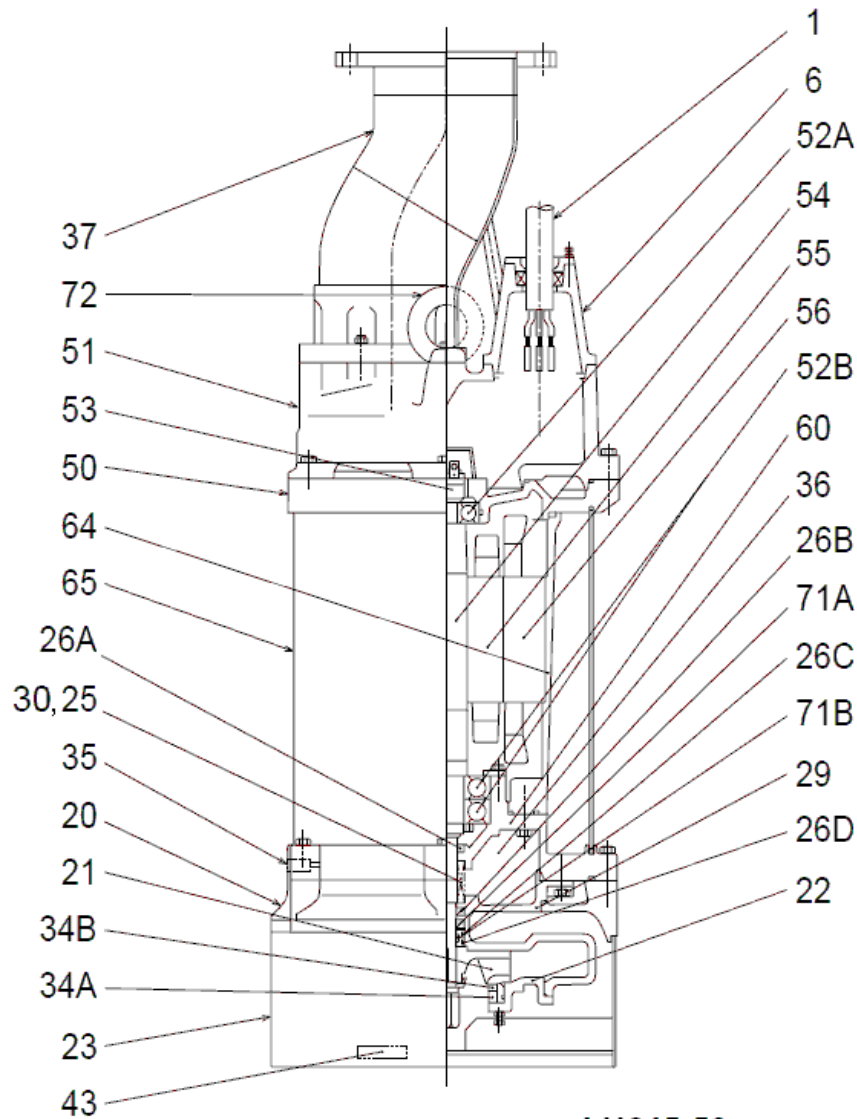
CWL: Continuous running water level
LWL: Lowest running water level

 **TSURUMI PUMP**

Tsurumi Europe GmbH
13.07.2018 V.18 / 1.10.2015

Helstorfer Str. 14 * 40472 Düsseldorf * Germany
Tel.: +49-211-4179373 sales@tsurumi.eu
Fax: +49-211-417937-480 www.tsurumi.eu

Sectional drawing LH645-50



LH645-50

| No. | Description | Remark | No. | Description | Remark |
|-----|---------------------|--------------------------|-----|-------------------------------|--------------------------|
| 1 | Cable | 20m NSSHÖU | 36 | Lubricant | Turbine oil (ISO VG32) |
| 6 | Stuffing box | FC200 (EN-GJL-200) | 37 | Discharge coupling | Baustahl / Stahlrohr |
| 20 | Pump casing | FC200 (EN-GJL-200) | 43 | Sacrificial anode (3x) | Aluminium alloy |
| 21 | Impeller | Chromium iron casting | 50 | Motor cover | FC200 (EN-GJL-200) |
| 22 | Suction cover | FC200 (EN-GJL-200) | 51 | Main cover | FC200 (EN-GJL-200) |
| 23 | Strainer | Construction steel SS400 | 52A | Upper bearing | 6307ZZC3 |
| 25 | Mechanical seal | HT-3540 | 52B | Lower bearing | 6311ZZD2C3 |
| 26A | Oil seal | SC40588 | 53 | Miniature protector (3x) | . |
| 26B | Oil seal | TC385811 | 54 | Shaft | SUS420J2 (EN-X30Cr13) |
| 26C | Oil seal | TCN385811 | 55 | Rotor | . |
| 26D | Labyrinth ring only | SUS304 (EN-X5CrNi18-10) | 56 | Stator | . |
| 29 | Oil casing | FC200 (EN-GJL-200) | 60 | Bearing Housing | FC200 (EN-GJL-200) |
| 30 | Oil distributor | Plastic | 64 | Motor Frame | FC200 (EN-GJL-200) |
| 34A | Wear Ring | FC200 (EN-GJL-200) | 65 | Outer Cover | Construction steel SS400 |
| 34B | Wear Ring | Chromium iron casting | 71A | Upper shaft protection sleeve | SUS403 (EN-X6Cr13) |
| 35 | Oil screw (2x) | SUS304 (EN-X5CrNi18-10) | 71B | Lower shaft protection sleeve | SUS403 (EN-X6Cr13) |