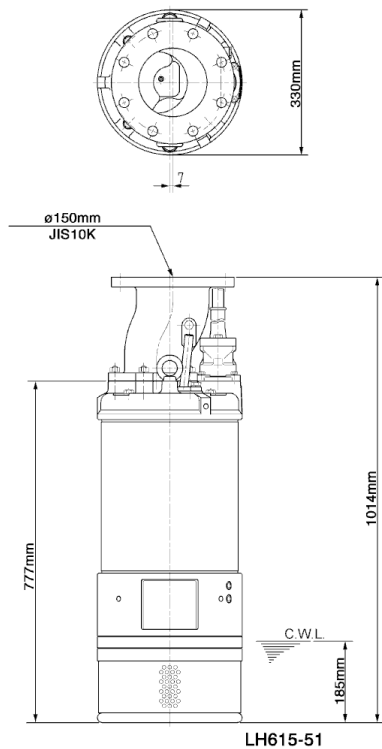
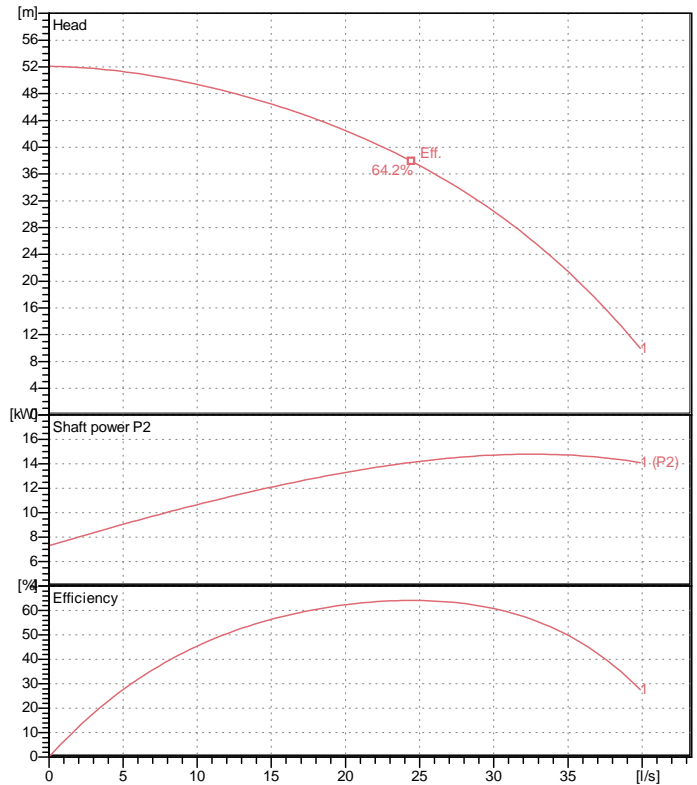


# Data sheet LH615-51



CWL: Continuous running water level



## Specification

Electric submersible pump  
 Degree of protection IP 68  
 Depth of submersion max. 30 m  
 Type of impeller Closed  
 Max. solid handling 6 mm  
 Suitable for:  
 rain water, ground water, sand water

## Electric motor

Dry-type submersible induction motor  
 Insulation class B 2Poles 2890 1/min  
 Starting mode Directly  
 Rated voltage 400 V 50 Hz 3~  
 Power uptake 17.86 kW  
 Rated power 15.00 kW  
 Rated current 27.5 A  
 Start current 169.9 A

## Cable

20m NSSHÖU 4Cx6mm<sup>2</sup>

## Motor Protection

Miniature protector in windings  
 (snap-action bi-metal device)

## Shaft seal

Double inside mechanical seal in oil bath  
 additional lubrication by oil lifting device  
 Primary seal  
 Silicon carbide on silicon carbide  
 Secondary seal  
 Silicon carbide on silicon carbide

## Bearings

Shielded ball bearings, maintenance-free

## Materials

Impeller	Chromium iron casting
Upper casing	FCD45 (EN-GJS-450-10)
Lower casing	FCD45 (EN-GJS-450-10)
Wear Ring	Chromium iron casting
Motor Frame	FC200 (EN-GJL-200)
Shaft	SUS420J2 (EN-X30Cr13)

## Discharge size

150mm JIS10K flange

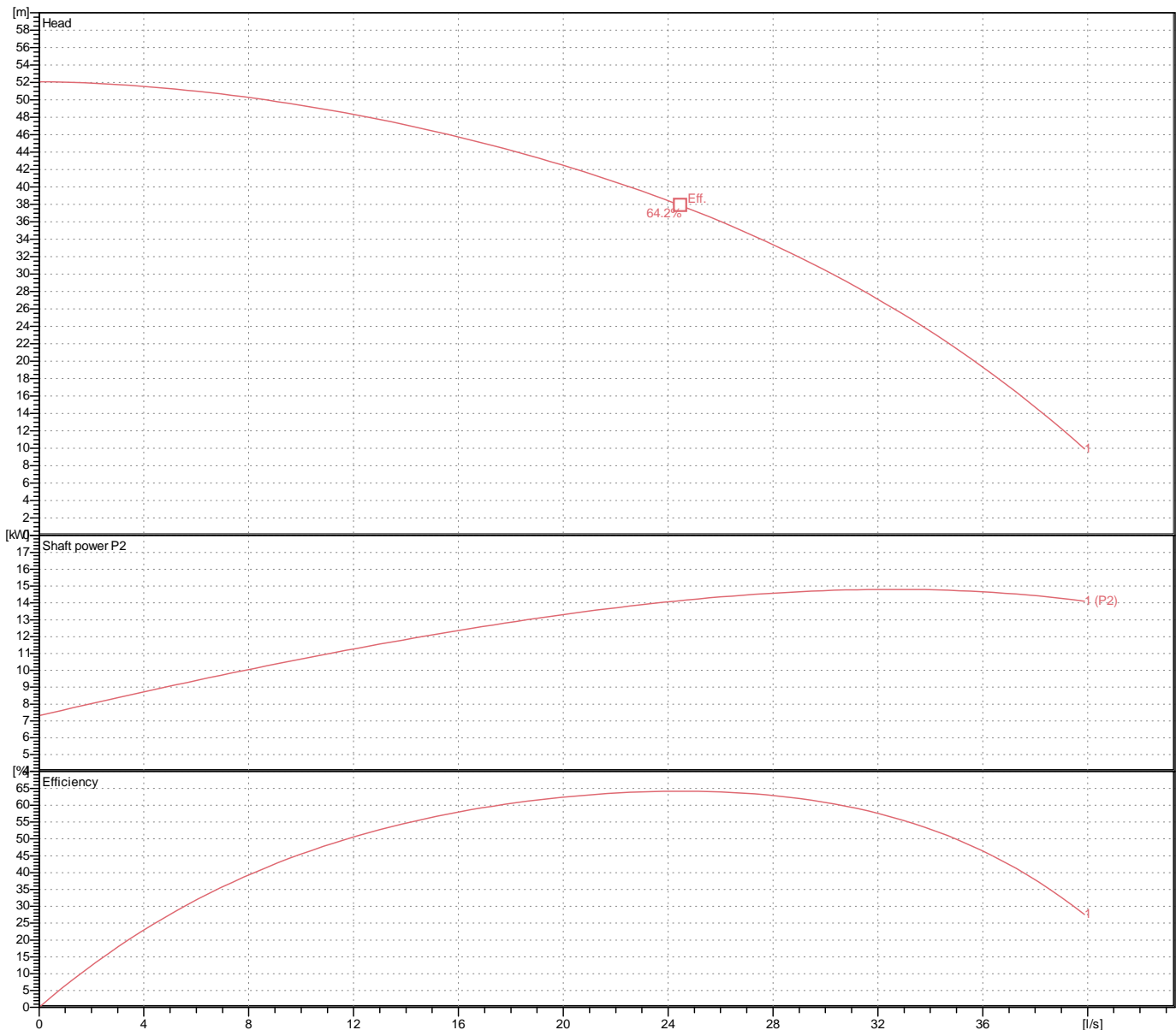
## Weight

213 kg (dry weight of the pump only without cable)

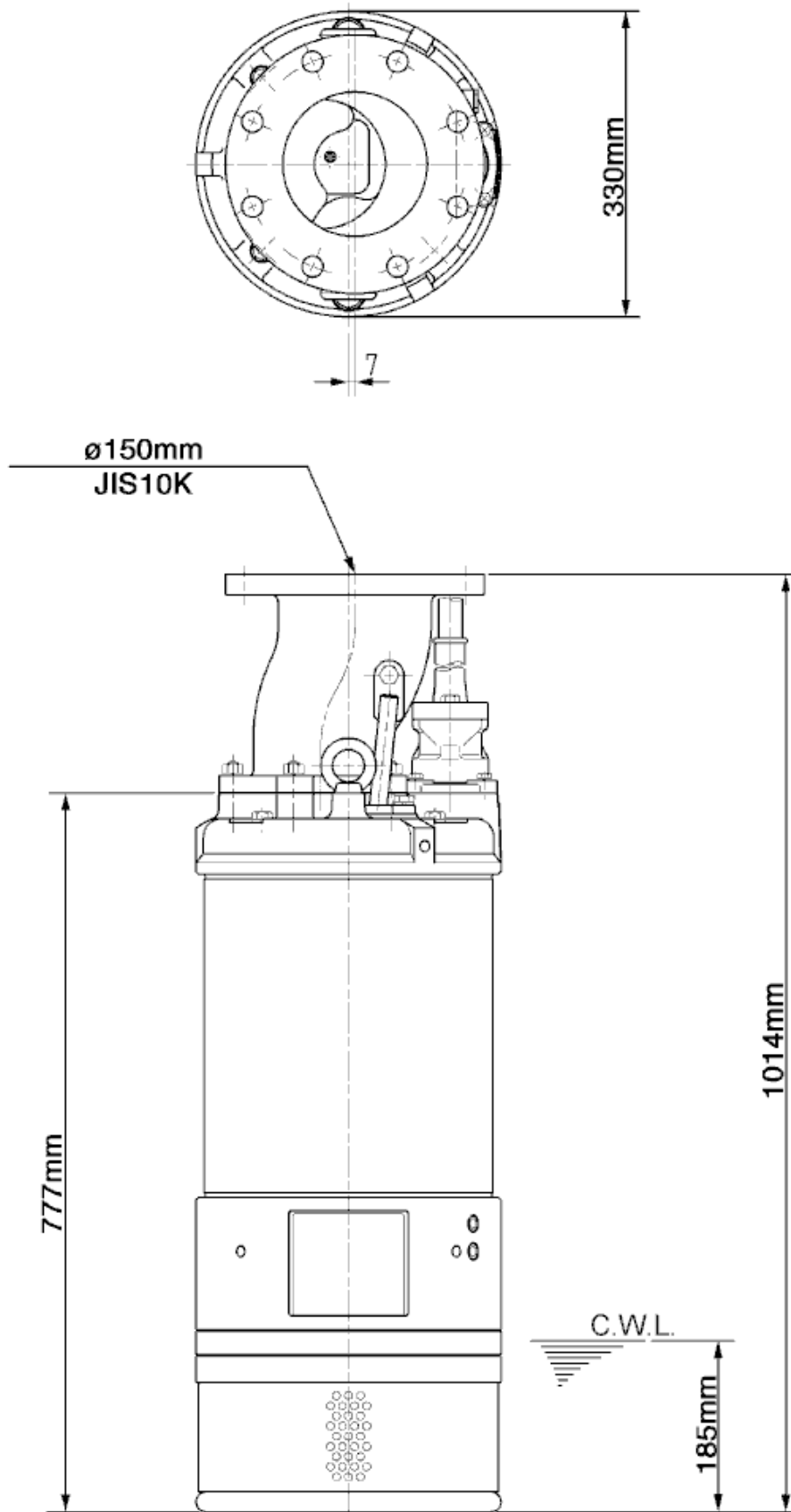
# Performance curve

## LH615-51

Discharge port	6"
Head	52.1 m
Flow	39.9 l/s
Rated power	15.00 kW
Power input	17.86 kW
Phases	3~
Voltages	400 V
Frequency	50 Hz
Rated current	27.5 A
Starting current	169.95 A
Number of poles	2
Speed	2890 1/min
Starting mode	Directly
Insulation class	B



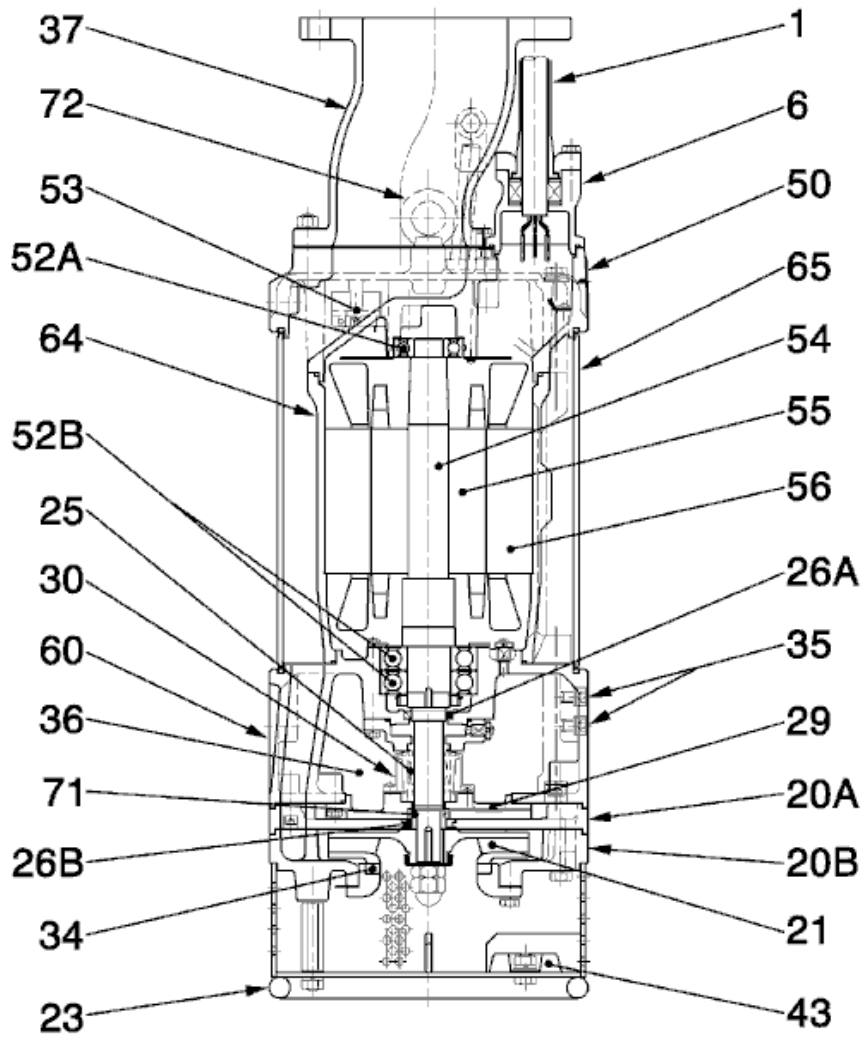
# Dimensions LH615-51



LH615-51

CWL: Continuous running water level  
LWL: Lowest running water level

# Sectional drawing LH615-51



**LH615-51**

No.	Description	Remark	No.	Description	Remark
1	Cable	20m NSSHÖU	50	Main cover	FC200 (EN-GJL-200)
6	Stuffing box	FC200 (EN-GJL-200)	52A	Upper bearing	6306ZZC3
20A	Upper casing	FCD45 (EN-GJS-450-10)	52B	Lower bearing	6309ZZD2C3
20B	Lower casing	FCD45 (EN-GJS-450-10)	53	Motor Protector 380/400/415V	50Hz KA314-HRXL00 (H.C)
21	Impeller	Chromium iron casting	54	Shaft	SUS420J2 (EN-X30Cr13)
23	Strainer	Construction steel SS400	55	Rotor	.
25	Mechanical seal	H-30T	56	Stator	.
26A	Oil seal	SC35508	60	Bearing Housing	FC200 (EN-GJL-200)
26B	Oil seal	SUS304 (EN-X5CrNi18-10)	64	Motor Frame	FC200 (EN-GJL-200)
29	Oil casing	FC200 (EN-GJL-200)	65	Outer Cover	Construction steel SS400
30	Oil distributor	Plastic	71	Shaft protection sleeve	SUS403 (EN-X6Cr13)
34	Wear Ring	Chromium iron casting	72	Eye screw (2x)	Construction steel SS400
35	Oil screw (2x)	SUS304 (EN-X5CrNi18-10)			
36	Lubricant	Turbine oil (ISO VG32)			
37	Discharge coupling	FCD700 (EN-GJS-700-2)			
43	Sacrificial anode (4x)	Aluminium alloy			