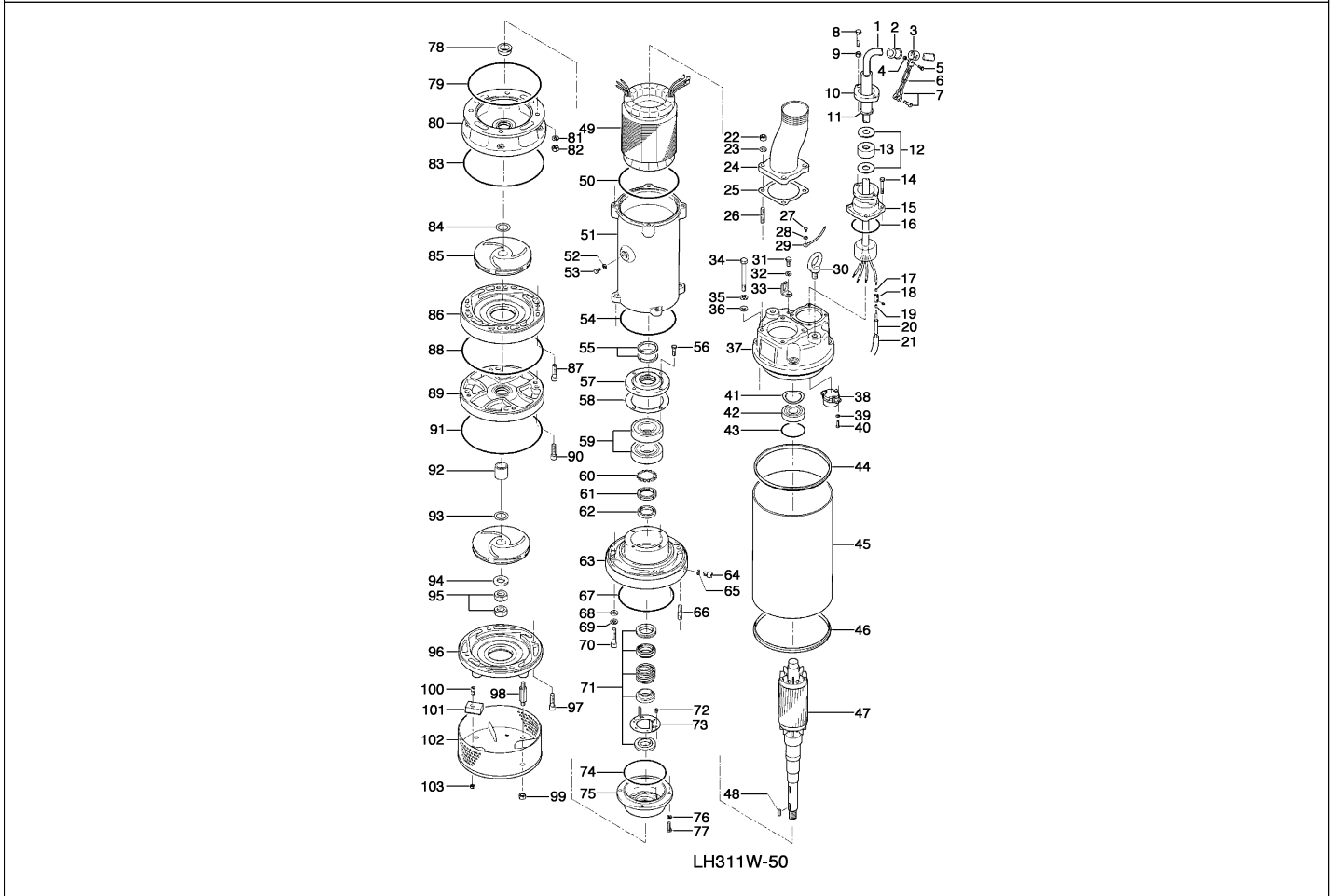


**LH311W-50**

Kontroll-Nr. --

2024-04-11 V.01.02.2023

Pos.no	Item no.	Description	Qty.	UP / EUR
--------	----------	-------------	------	----------



1.1.1	173-471-18	Packing & O-Ring Set	1	
1	001-TEG-04	Cabletyre Cable Set (20m) H07RN-F4Cx4mm <sup>2</sup> with stuffing box	1	
1	M01-TEG-04	Cabletyre Cable Set (20m) NSSHÖU 4Cx4mm <sup>2</sup>	1	
2	010-122-10	Cable Clip Rubber No.2 NBR	1	
3	010-120-18	Cable Clip No.2-1 SPC	1	Price on req.
4	141-004-33	Hex.Nut M6 SWRM	1	
5	140-032-37	Hex.Bolt M6x15 SWRM	1	
6	095-000-95	Chain 4mm(4L)L=24 SS	1	
7	011-101-19	Shackle 6mm SS	1	
8	140-078-19	Hex.Bolt M10x30 SUS304	2	
9	141-006-19	Hex.Nut M10 SUS304 (EN X5CrNi18-10)	2	
10	003-183-23	Gland GHZ-311W FC	1	
11	002-103-26	Cable Protection Tube 380V-50Hz No.3 NR	1	
12	005-122-17	Bush Washer 380V-50Hz d23xd53.5x3.2t SPC	2	
13	004-129-11	Cable Bush 380V-50Hz d22.5xd54x25l NBR	1	
14	140-055-10	Hex.Bolt M8x25 SUS304	4	
15	006-160-10	Stuffing Box GHZ-311W FC	1	
16	122-128-19	O-Ring G-85(84.4xd3.1) NBR	1	
17	009-123-10	Terminal (EUR,NSU) P-5.5 CU	4	
18	009-101-12	Terminal(C/W Screw) d12x(d6.6xd6.6)x25l C3604	4	
19	009-123-10	Terminal (EUR,NSU) P-5.5 CU	4	
20	002-129-15	Heat Shrink Tube (Sold per meter) EVA(d14x1t) (Vm)	1	
21	002-132-11	Heat Shrink Tube (Sold per meter) A4(d17x0.27t) (Vm)	1	
22	141-007-10	Hex.Nut M12 SUS304	4	
23	142-165-10	Spring Washer M12 SUS304 (EN X5CrNi18-10) Stainless Steel	4	Price on req.
24	037-000-39	Discharge Pipe with threaded flange 80mm(GHZ-311W) SGP+SS	1	
25	121-373-18	Packing P.C.133xd100x1t THREE SHEET	1	
26	144-000-46	Stud Bolt M12x64(24/27) SUS304	4	
27	143-014-16	Pan Screw M4x8 SWRM	1	
28	142-124-46	Plain Washer M4 BSBM	1	
29	009-166-15	Earth Terminal 8mm2x190l	1	
30	072-107-27	Eye Bolt M16 SUS304	2	
31	140-074-15	Hex.Bolt M10x20 SUS304	1	
32	142-164-19	Spring Washer M10 SUS304	1	
33	070-103-10	L-Shape Fitting KT-55 SPC	1	
34	140-112-16	Hex.Bolt M12x110 SUS304 (EN X5CrNi18-10) Stainless Steel	4	
35	142-165-10	Spring Washer M12 SUS304 (EN X5CrNi18-10) Stainless Steel	4	Price on req.
36	142-298-13	Seal Washer SM-12 SUS+NBR	4	
37	050-397-28	Motor Bracket FC	1	
38	053-364-12	Motor Protector	3	

**LH311W-50**

Kontroll-Nr. --

2024-04-11 V.01.02.2023

Pos.no	Item no.	Description	Qty.	UP / EUR
39	142-124-20	Plain Washer M4 SPC	2	
40	143-016-18	Pan Screw M4x12 SWRM	2	
41	142-198-12	Wave Washer 6306 SK5	1	Price on req.
42	052-109-14	Bearing 6306ZZC3	1	
43	122-245-13	O-Ring 71.4xd3.1 NBR	1	
44	121-422-13	Packing d234.5xd245.9x12.5t NBR	1	
45	065-232-17	Outer Cover GHZ-311W SS	1	
46	121-422-13	Packing d234.5xd245.9x12.5t NBR	1	
47	055-723-19	Rotor	1	
48	147-126-14	Impeller Key 7x7x20l Stainless Steel	2	
49	056-	Stator	1	Price on req.
50	122-337-13	O-Ring 183.74xd3.53 NBR	1	
51	064-464-17	Motor Frame FC	1	
52	142-337-15	Seal Washer SM-8 SUS+NBR	1	
53	140-421-11	Hex.Bolt M8x14 SUS403 (EN X6Cr13) Stainless Steel	1	
54	122-431-18	O-Ring 171.04xd3.53 NBR	1	
55	121-424-15	Packing 5x5.5x185l Felt	2	
56	140-056-37	Hex.Bolt M8x30 SWRM	4	
57	062-207-14	Bearing Cover d54.3xd140x24t FC	1	
58	121-423-14	Packing d101xd138x1.5t NBR	1	
59	052-118-16	Bearing 7309ADBC3	1	
60	142-242-12	Bearing Washer AW09 SPCC	1	
61	141-074-18	Bearing Nut AN09 SS	1	
62	026-271-17	Oil Seal SC-40588 NBR	1	
63	060-419-28	Bearing Housing FC	1	
64	035-113-18	Oil Plug M12x14 SUS304 (EN X5CrNi18-10) Stainless Steel	1	Price on req.
65	121-247-12	Packing d12.3xd18x2t PE	1	
66	144-142-17	Stud Bolt M12x50(15/20) SUS304 (EN X5CrNi18-10) Stainless Steel	4	
67	122-334-10	O-Ring 170xd3.8 NBR	1	
68	142-298-13	Seal Washer SM-12 SUS+NBR	4	
69	142-165-10	Spring Washer M12 SUS304 (EN X5CrNi18-10) Stainless Steel	4	Price on req.
70	140-306-19	Hex. Socket Cap Bolt M12x55 SUS304 (EN X5CrNi18-10) Stainless Steel	4	
71	025-001-23	Mechanical Seal HT-3540N SIC	1	
72, 73	143-070-23	Pan Screw M5x6 SWRM	8	
72, 73	030-137-13	Oil Lifter For HT-3540 Resin	1	
72, 73	030-146-15	Seal Stopper For HT-3540 SPCC	1	
74	122-137-11	O-Ring G-130 NBR	1	
75	029-000-40	Oil Casing LH311W FC	1	
76	142-163-21	Spring Washer M8 SUS316 (DIN 1.4401) Stainless Steel	4	
77	140-055-10	Hex.Bolt M8x25 SUS304	4	
78	071-217-15	Shaft Sleeve (2nd Stage) d30xd40x17t SUS403 (EN X6Cr13) Stainless Steel	1	
79	122-250-11	O-Ring 230xd3.8 NBR	1	
80	020-001-21	Pump Casing (upper/2nd stage) GHZ-311W(w/Labyrinth Ring) (FC-SUS)	1	
	026-255-15	Labyrinth ring only	2	
81	142-165-10	Spring Washer M12 SUS304 (EN X5CrNi18-10) Stainless Steel	4	Price on req.
82	141-007-10	Hex.Nut M12 SUS304	4	
83	122-407-15	O-Ring 253.59xd3.53 NBR	1	
84	040-125-19	Impeller Shim d31xd45.2x0.5t SUS304 (EN X5CrNi18-10) Stainless Steel	1	
85	021-J99-12	Impeller (50Hz) HiCrFC	2	
86	020-855-13	Pump Casing (Lower/2nd Stage) GHZ-311W(w/Mouth Ring) FC+HiCrFC	1	
	034-404-16	Mouth ring only	2	
87	140-304-17	Hex. Socket Cap Bolt M12x45 SUS304 (EN X5CrNi18-10) Stainless Steel	4	
88	122-407-15	O-Ring 253.59xd3.53 NBR	1	
89	020-856-14	Pump Casing (Upper/1st Stage) GHZ-311W(w/Labyrinth Ring) FC+Stainless Steel	1	
90	140-303-16	Hex. Socket Cap Bolt M12x40 SUS304 (EN X5CrNi18-10) Stainless Steel	4	
91	122-407-15	O-Ring 253.59xd3.53 NBR	1	
92	071-218-16	Shaft Sleeve (1st Stage) d30xd40x40t SUS403 (EN X6Cr13) Stainless Steel	1	
93	040-125-19	Impeller Shim d31xd45.2x0.5t SUS304 (EN X5CrNi18-10) Stainless Steel	1	
94	142-133-19	Plain Washer M24 SUS304 (EN X5CrNi18-10) Stainless Steel	1	
95	141-011-20	Hex.Nut M24(H=14) SUS304 (EN X5CrNi18-10) Stainless Steel	2	
96	020-857-15	Pump Casing (Lower/1st Stage) GHZ-311W(w/Mouth Ring) FC+HiCrFC	1	
97	140-304-17	Hex. Socket Cap Bolt M12x45 SUS304 (EN X5CrNi18-10) Stainless Steel	4	
98	144-121-23	Stud Bolt M12x86(16/20) SUS403 (EN X6Cr13) Stainless Steel	4	
99	141-007-10	Hex.Nut M12 SUS304	4	
100	140-266-16	Hex. Socket Cap Bolt M8x16 SUS304 (EN X5CrNi18-10) Stainless Steel	2	
101	043-100-17	Cathodic Protection Plate ZNP	2	
102	023-001-22	Strainer Stand LH-311W SS	1	
103	141-005-18	Hex.Nut M8 SUS304 (EN X5CrNi18-10)	2	
0	026-255-15	Labyrinth ring only	1	
	173-471-18	Packing & O-Ring Set	1	
	##oilVG32	ml Turbine Oil ISO VG32	800	Price on req.