

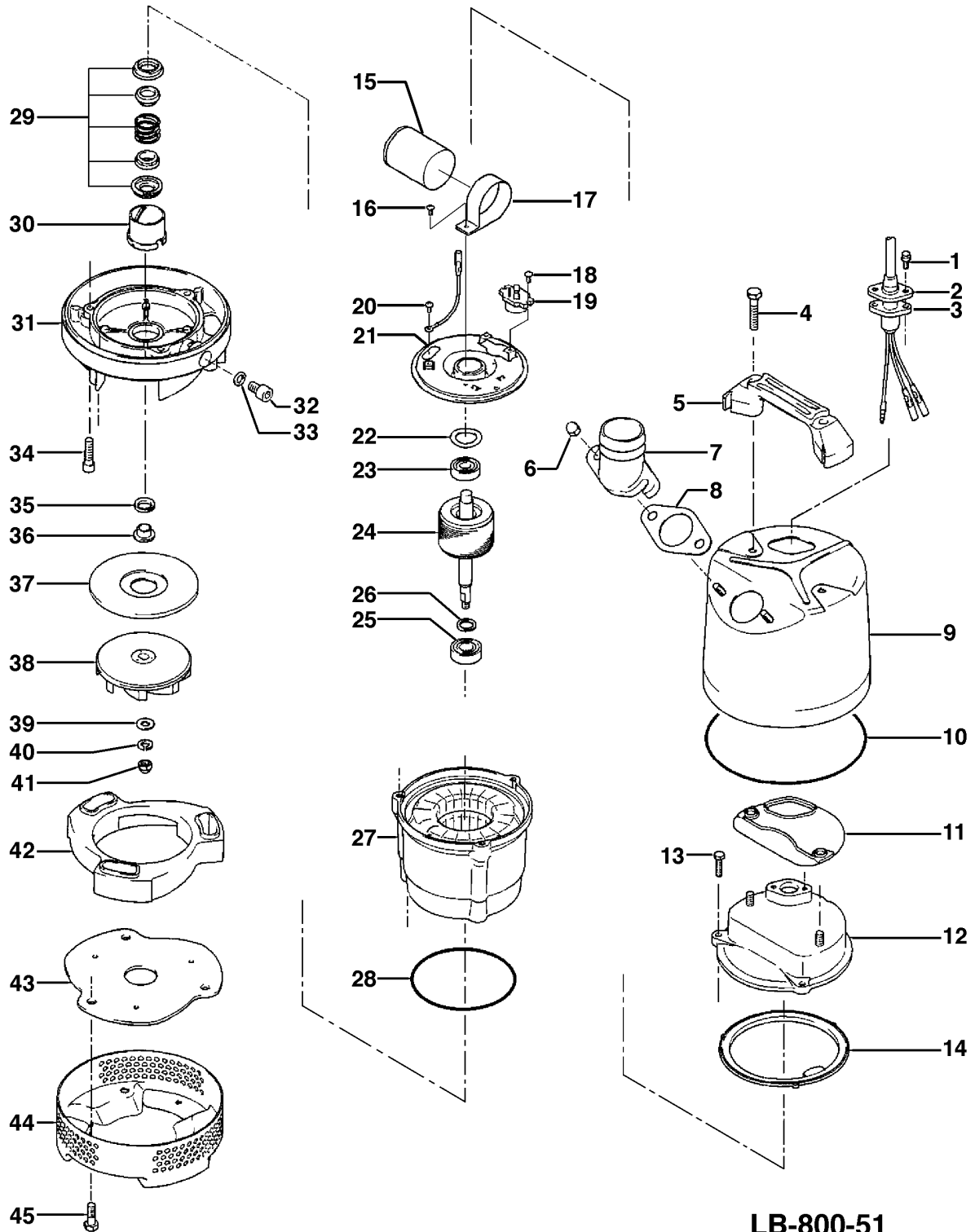
LB-800-51

Kontroll-Nr. --

2019-01-24 V.20 / 1.11.2017

| Pos.no | Item no. | Description | Quant. | UP |
|--------|------------|---|--------|---------------|
| | | Dichtungs-Oring-Satz | 1 | Price on req. |
| 1 | 140-427-17 | Hex.Bolt (w/Plain Washer) M5x15 SUS304 (EN X5CrNi18-10) | 2 | Price on req. |
| 2 | 003-190-10 | Gland SUS316 (EN X5CrNi-Mo17-12-2) | 1 | Price on req. |
| 3 | 001-009-48 | Cabletyre Cable Set (10m) 220/230/240V-50HZ(EUR) H07R-F3Cx1mm2 LBD(HAR) | 1 | Price on req. |
| 4 | 140-000-13 | Hex.Bolt (w/Plain Washer) M8x65 SUS304 (EN X5CrNi18-10) Stainless Steel | 2 | Price on req. |
| 5 | 068-289-18 | Handle LBA3-250/480 (SPC+NBR) | 1 | Price on req. |
| 6 | 141-144-10 | Flanged Hex. Nut M8 SUS304 (EN X5CrNi18-10) Stainless Steel | 2 | Price on req. |
| 7 | 032-000-12 | Hose Coupling 50mm(LB-480-52/62 Type) ADC | 1 | Price on req. |
| 7 | 032-000-23 | Hose Coupling (for EUR) BSPT-2, LB-480 ADC | 1 | Price on req. |
| 8 | 121-587-17 | Packing LB-250/480-51/61 NBR | 1 | Price on req. |
| 9 | 065-000-22 | Outer Cover SPC | 1 | Price on req. |
| 10 | 122-453-16 | O-Ring 172x2,7 NBR | 1 | Price on req. |
| 11 | 121-434-18 | Packing LB3-250/480 Synthetic Rubber | 1 | Price on req. |
| 12 | 051-000-22 | Motor Head Cover ADC | 1 | Price on req. |
| 13 | 140-396-16 | Hex.Bolt (w/Plain Washer) M6x20 SUS304 (EN X5CrNi18-10) Stainless Steel | 3 | Price on req. |
| 14 | 121-000-72 | Packing d121xd140x2.8t NBR | 1 | Price on req. |
| 15 | 076-000-31 | Capacitor 80MF-250VAC(d50x85L) | 1 | Price on req. |
| 16 | 143-086-22 | Pan Screw (w/Spring Washer) M4x8 SWRM | 1 | Price on req. |
| 17 | 127-000-34 | Capacitor Fixing Plate d50 SPC | 1 | Price on req. |
| 18 | 143-127-13 | Pan Screw (w/Spring Washer/Plain Washer) M4x8 SWRM | 2 | Price on req. |
| 19 | 053-000-28 | Motor Protector 230V-50Hz KA142-LPTL25F (T.C) | 1 | Price on req. |
| 20 | 140-000-44 | Hex.Bolt M4x8 SWRM | 1 | Price on req. |
| 21 | 050-000-48 | Motor Bracket SECD | 1 | Price on req. |
| 22 | 142-192-16 | Wave Washer 6201(D=32,t=0.4) SK5 | 1 | Price on req. |
| 23 | 052-100-15 | Bearing 6201ZZC3 | 1 | Price on req. |
| 24 | 055-001-26 | Rotor w/Bearing | 1 | Price on req. |
| 25 | 052-152-12 | Bearing 6302ZZC3 | 1 | Price on req. |
| 26 | 061-175-19 | Bearing Collar d15xd23x1.6t SPC | 1 | Price on req. |
| 27 | 056-004-16 | Stator 220/230/240V-50HZ w/Frame | 1 | Price on req. |
| 28 | 122-133-17 | O-Ring G-110 NBR | 1 | Price on req. |
| 29 | 025-000-81 | Mechanical Seal W-14VCA SIC | 1 | Price on req. |
| 30 | 030-000-09 | Oil Lifter W-14VL Resin | 1 | Price on req. |
| 31 | 029-000-72 | Oil Casing LB-750-51/61 ADC | 1 | Price on req. |
| 32 | 035-124-12 | Oil Plug M10x15 SUS304 (EN X5CrNi18-10) | 1 | Price on req. |
| 33 | 121-246-11 | Packing (Oil Plug) d10.3xd16x2t PE | 1 | Price on req. |
| 34 | 140-252-19 | Hex.Socket Cap Bolt M6x20 SUS304 (EN X5CrNi18-10) | 3 | Price on req. |
| 35 | 122-441-11 | V-Ring VR-14 NBR | 1 | Price on req. |
| 36 | 071-292-14 | Shaft Sleeve LB3-250/480 SUS304 (EN X5CrNi18-10) Stainless Steel | 1 | Price on req. |
| 37 | 031-000-12 | Wear Ring LSC1.4S-51/61 SPC+Urethane Rubber | 1 | Price on req. |
| 38 | 021-007-52 | Impeller (50HZ) 50Hz Urethane Rubber | 1 | Price on req. |
| 38 | 021-007-56 | Impeller (60HZ) LB-800-61 Urethane Rubber | 1 | Price on req. |
| 39 | 142-127-10 | Plain Washer M8 SUS304 (EN X5CrNi18-10) Stainless Steel | 1 | Price on req. |
| 40 | 142-163-21 | Spring Washer M8 SUS316 (DIN 1.4401) Stainless Steel | 1 | Price on req. |
| 41 | 141-030-12 | Hex.Cap Nut M8 SUS304 (EN X5CrNi18-10) Stainless Steel | 1 | Price on req. |
| 42 | 020-000-43 | Pump Casing LB-750 BR+NR | 1 | Price on req. |
| 43 | 022-001-27 | Suction Cover LB-750 SPC | 1 | Price on req. |
| 44 | 023-547-18 | Strainer Stand LB-250/480-51/61 SPC | 1 | Price on req. |
| 45 | 140-000-14 | Hex.Bolt (w/Plain Washer) M8x20 SUS304 (EN X5CrNi18-10) Stainless Steel | 3 | Price on req. |
| | 173-001-20 | Packing & O-Ring Set | 1 | Price on req. |
| | ##oilVG32 | ml Turbine Oil ISO VG32 | 155 | Price on req. |

Exploded View LB-800-51



LB-800-51