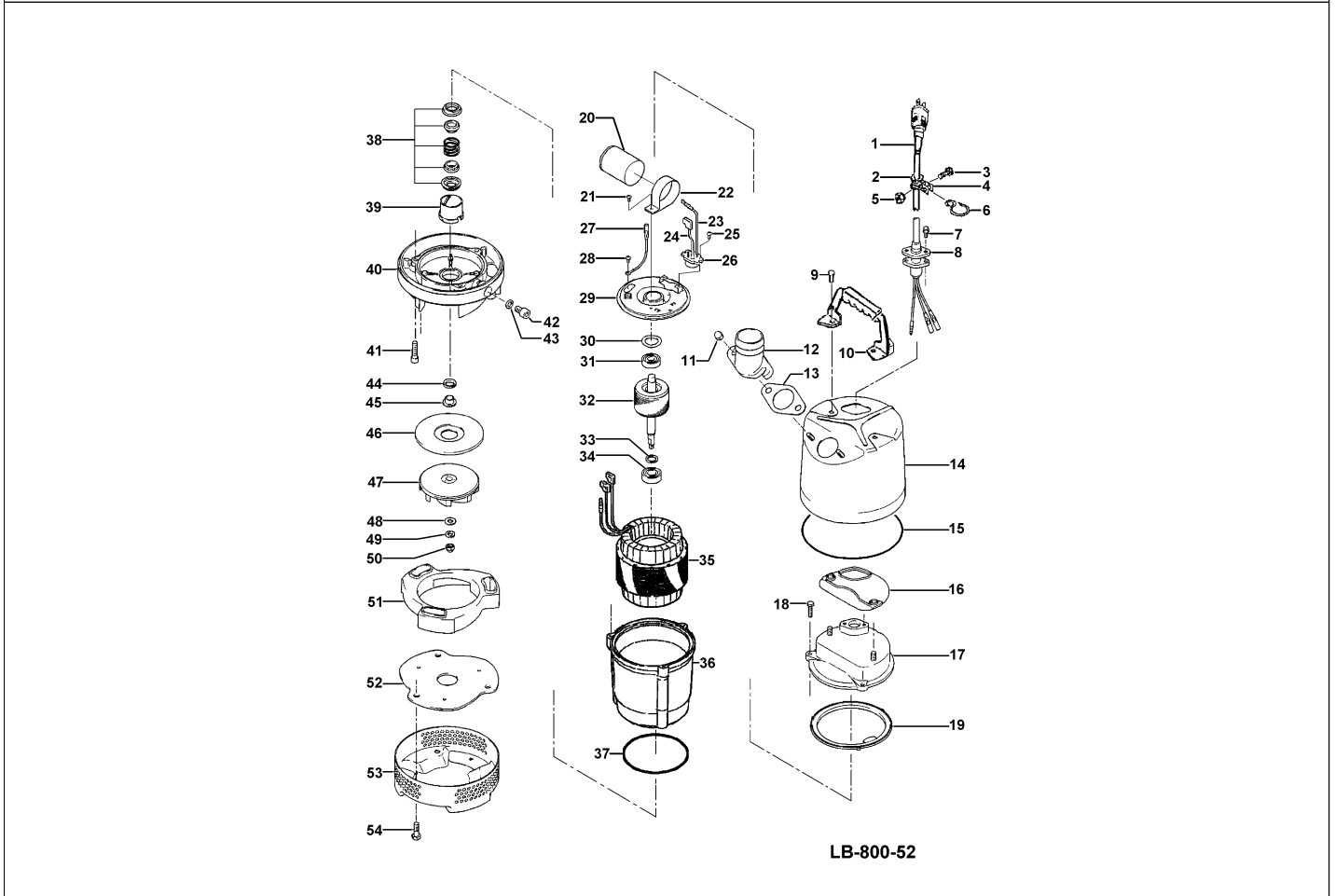


**LB-800-52**

Kontroll-Nr. --

2024-04-11 V.01.02.2023

Pos.no	Item no.	Description	Qty.	UP / EUR
--------	----------	-------------	------	----------



1.1.1	173-567-12	Packing & O-Ring Set	1	
1	001-003-47	Cable Set (10m) 110V-50Hz(GBR) H07RN3Gx1.5mm2(PCE/PLUG) LB(HAR)	1	
	061-TEG-05	Cable Repair Kit	1	
2	010-162-15	Cable Clip Rubber 220/230/240V-50Hz(EUR) LB2-400 NBR	1	
2	010-126-17	Cable Clip Rubber HS2 NBR	1	
3	140-015-21	Hex.Bolt M5x10 SWRM	1	
4	010-105-10	Cable Clip SB SPC	1	
5	141-003-58	Hex.Nut M5 SWRM	1	
6	011-100-18	Shackle S-8 SS	1	
7	140-427-17	Hex.Bolt (w/Plain Washer) M5x15 SUS304 (EN X5CrNi18-10)	2	
8	003-190-10	Gland SUS316 (EN X5Cr-Ni-Mo17-12-2)	1	
9	140-503-18	Hex.Bolt (w/Plain Washer) M8x16 SUS304 (X5CrNi18-10) Stainless Steel	2	
10	068-289-18	Handle LBA3-250/480 (SPC+NBR)	1	
11	141-144-10	Flanged Hex. Nut M8 SUS304 (EN X5CrNi18-10) Stainless Steel	2	
12	032-000-12	Hose Coupling 50mm(LBA-480-52/62 Type) ADC	1	
	181-001-18	Hose Band 55mm(d50) SUP	1	
13	121-587-17	Packing LBA-250/480-51/61 NBR	1	
14	065-000-22	Outer Cover SPC	1	
15	122-453-16	O-Ring 172x2.7 NBR	1	
16	121-002-09	Packing LB3-250/480 Synthetic Rubber	1	
17	051-000-55	Head Cover ADC	1	
18	140-396-16	Hex.Bolt (w/Plain Washer) M6x20 SUS304 (EN X5CrNi18-10) Stainless Steel	3	
19	121-546-14	Packing d120xd142x6.2t NBR	1	
20	076-000-47	Capacitor 110V-50Hz(GBR) 66MF-270VAC(f51x70L)	1	
21	143-085-21	Pan Screw (w/Spring Washer) M4x6 SWRM	1	
21	143-086-22	Pan Screw (w/Spring Washer) M4x8 SWRM	1	
22	127-000-46	Capacitor Fixing Plate SPC	1	
22	127-000-99	Capacitor Fixing Plate 220/230/240V-50Hz d51(1.0t) SPC	1	
23	009-001-03	Intermediate Lead Wire AWG16x160(red)	1	
24	009-001-42	Intermediate Lead Wire AWG16x80(Indigo)	1	
25	143-000-43	Truss Screw M4x8 SWRM	2	
26	053-001-96	Motor Protector 110V-60Hz KA142-LABL22F (T.C)	1	
27	009-001-02	Earth Terminal UL1015-AWG18,G,Y,L=160	1	
28	143-203-14	Pan Screw M4x5	1	Price on req.
29	050-000-61	Motor Bracket SECD	1	
30	142-000-41	Wave Washer #6201(T=0.4) (S65CM)	1	
31	052-100-15	Bearing 6201ZZC3	1	
32	055-002-98	Rotor	1	
33	061-180-17	Bearing Collar d15.1xd20x1.6t SS	1	
34	052-001-06	Bearing 6302ZZC3	1	

**LB-800-52**

Kontroll-Nr. --

2024-04-11 V.01.02.2023

Pos.no	Item no.	Description	Qty.	UP / EUR
35	056-008-25	Stator 110V-50Hz(GBR)	1	Price on req.
36	064-001-27	Motor.Frame ADC	1	
37	122-133-17	O-Ring G-110 NBR	1	
38	025-000-81	Mechanical Seal W-14VL SSiC (ROHS)	1	
39	030-000-09	Oil Lifter W-14VL Resin	1	
40	029-000-72	Oil Casing LBA-750-51/61 ADC	1	
41	140-252-19	Hex.Socket Cap Bolt M6x20 SUS304 (EN X5CrNi18-10)	3	
42	035-124-12	Oil Plug M10x15 SUS304 (EN X5CrNi18-10)	1	
43	121-246-11	Packing (Oil Plug) d10.3xd16x2t PE	1	
44	122-441-11	V-Ring VR-14 NBR	1	
45	071-292-14	Shaft Sleeve LB3-250/480 SUS304 (EN X5CrNi18-10) Stainless Steel	1	
46	031-000-12	Wear Ring LSC1.4S-51/61 SPC+Urethane Rubber	1	
47	021-007-52	Impeller (50Hz) Urethane Rubber	1	
48	142-127-10	Plain Washer M8 SUS304 (EN X5CrNi18-10) Stainless Steel	1	
49	142-163-18	Spring Washer M8 SUS304	1	
50	141-030-12	Hex.Cap Nut M8 SUS304 (EN X5CrNi18-10) Stainless Steel	1	
51	020-000-43	Pump Casing LBA-750 BR+NR	1	
52	022-001-27	Suction Cover LBA-750 SPC	1	
53	023-547-18	Strainer Stand LBA-250/480-51/61 SPC	1	
54	140-000-14	Hex.Bolt (w/Plain Washer) M8x20 SUS304 (EN X5CrNi18-10) Stainless Steel	3	
	173-567-12	Packing & O-Ring Set	1	
	##oilVG32	ml Turbine Oil ISO VG32	155	Price on req.