

KTZE33.7-51

Kontroll-Nr. --

2019-03-0€ V.01.02.2019

Pos.no	Item no.	Description	Quant.	UP
		Dichtungs-Oring-Satz	1	Price on req.
1	140-074-15	Hex.Bolt M10x20 SUS304	2	Price on req.
2	068-000-36	Handle KTZ23.7/45.5 SGP+SS	1	Price on req.
3	010-124-15	Cable Clip Rubber No.3 NBR	1	Price on req.
4	010-120-18	Cable Clip No.2-1 SPC	1	Price on req.
5	140-032-37	Hex.Bolt M6x15 SWRM	1	Price on req.
6	141-004-59	Hex.Nut M6 SWRM	1	Price on req.
7	095-131-18	Chain 4mm(3L) SS	1	Price on req.
8	011-110-11	Shackle 6mm SS	1	Price on req.
9	001-TEG-02	Cabtyre Cable Set (20m) H07RN-F4Cx2.5mm ² without stuffing box	1	Price on req.
9	M01-TEG-02	Cabtyre Cable Set (20m) NSSHOU 4Cx2.5mm ²	1	Price on req.
10	140-060-18	Hex.Bolt M8x50 SUS304	4	Price on req.
11	006-167-17	Stuffing Box No.1-3 FC	1	Price on req.
12	122-121-12	O-Ring G-50 NBR	1	Price on req.
13	004-167-11	Cable Bush No.1 CR	1	Price on req.
14	008-156-19	Mould Cover No.1-3 ADC	1	Price on req.
15	009-126-13	Terminal 1.25mm2/2mm2 Nylon	4	Price on req.
16	002-135-14	Heat Shrink Tube (Sold per meter) A(d15x0.3t) (Vm)	1	Price on req.
17	140-000-87	Hex.Bolt M10x35(B=14) SUS304 (EN-X5CrNi18-10)	4	Price on req.
18	142-128-11	Plain Washer M10 Kaltgewalztes Blech	4	Price on req.
19	032-000-91	Hose Coupling (for EUR) KTZ33.7-53/63(Angle,BSPT-3) FC	1	Price on req.
19	032-000-83	Hose Coupling KTZ33.7-53/63(Angle) ADC	1	Price on req.
20	121-001-48	Packing (Hose Coupling) KTZ-3.7/7.5(Angle) NBR	1	Price on req.
21	140-000-88	Hex.Bolt M10x120(B=14) SUS304 (EN-X5CrNi18-10)	4	Price on req.
22	142-164-19	Spring Washer M10 SUS304	4	Price on req.
23	070-117-11	L-Shape Fitting 40x25x4.5t d13Hole SPC	1	Price on req.
24	051-000-50	Motor Head Cover FC	1	Price on req.
25	122-276-13	O-Ring 160xd3.1 NBR	1	Price on req.
26	009-293-12	Earth Terminal 2mm2x180l	1	Price on req.
27	143-085-21	Pan Screw (w/Spring Washer) M4x6 SWRM	1	Price on req.
28	009-001-33	Intermediate Lead Wire 380/400/415V-50Hz 2mm2x200L(,Red,TMEV2-3.5White)	1	Price on req.
29	009-001-34	Intermediate Lead Wire 380/400/415V-50Hz 2mm2x190L(,BlackTMEV2-3.5White)	1	Price on req.
30	009-000-34	Intermediate Lead Wire 2mm2x150L(White)	1	Price on req.
31	009-275-18	Compression type Terminal TGNB-5.5(Insulated) CU	1	Price on req.
32	009-001-37	Solderless Terminal 380/400/415V-50Hz TMEV2-3.5 CU	2	Price on req.
33	009-001-32	Intermediate Lead Wire AWG22x130L(Orange/Yellow)	1	Price on req.
34	114-000-86	Electromagnetic Contactor 380/400/415V-50Hz SD-Q11	1	Price on req.
35	143-182-16	Pan Screw (w/Spring Washer) M4x16 SWRM	2	Price on req.
36	143-183-17	Truss Screw M3x20 SUS304 (EN X5CrNi18-10) Stainless Steel	3	Price on req.
37	115-000-69	Transformer 380/400/415V-50Hz EK400/20M	1	Price on req.
38	143-183-17	Truss Screw M3x20 SUS304 (EN X5CrNi18-10) Stainless Steel	3	Price on req.
39	114-000-90	Relay Unit ME0K1-IA4	1	Price on req.
40	143-085-21	Pan Screw (w/Spring Washer) M4x6 SWRM	1	Price on req.
41	143-126-12	Pan Screw (w/Spring Washer/Plain Washer) M4x12 SWRM	2	Price on req.
42	053-000-02	Motor Protector 380V-50Hz(CHN) KA313-GDVL103 (T.C)	1	Price on req.
43	121-506-12	Packing (Water Way, Upp.) KTZ23.7/33.7/43.7 NBR	1	Price on req.
44	050-001-04	Middle Bracket FC	1	Price on req.
45	140-427-17	Hex.Bolt (w/Plain Washer) M5x15 SUS304 (EN X5CrNi18-10)	2	Price on req.
46	090-000-43	Electrode Level Sensor EK-2CR	1	Price on req.
47	142-196-10	Wave Washer 6205/6304 SK5	1	Price on req.
48	052-107-12	Bearing 6304ZZC3	1	Price on req.
49	122-367-12	O-Ring 52xd3.1 NBR	1	Price on req.
50	055-002-82	Rotor	1	Price on req.
51	147-026-13	Impeller Key 5x5x25l Stainless Steel	1	Price on req.
52	002-000-04	Cable Protection Tube NFG-1A,d8 (Vm)	1	Price on req.
53	002-000-19	Cable Protection Tube NFG-1AC,d12	1	Price on req.
54	181-072-10	Cable Tie T18S,80Lx2.2Bx16D Nylon	2	Price on req.
55	056-001-29	Stator 380/400/415V-50Hz	1	Price on req.
56	121-506-12	Packing (Water Way, Upp.) KTZ23.7/33.7/43.7 NBR	1	Price on req.
57	122-276-13	O-Ring 160xd3.1 NBR	1	Price on req.
58	064-000-19	Motor Frame FC	1	Price on req.
59	140-078-19	Hex.Bolt M10x30 SUS304	4	Price on req.
60	142-164-19	Spring Washer M10 SUS304	4	Price on req.
61	121-247-12	Packing d12.3xd18x2l PE	1	Price on req.
62	140-000-17	Hex.Bolt (w/Flange) M12x15(Oil Plug) SUS304 (EN X5CrNi18-10) Stainless Steel	1	Price on req.
63	140-000-23	Hex.Bolt (w/Spring Washer) M5x10 SWRM	4	Price on req.
64	062-000-02	Bearing Cover d5.5xd18x2l SPC	4	Price on req.
65	052-110-18	Bearing 6307ZZC3	1	Price on req.
66	122-133-17	O-Ring G-110 NBR	1	Price on req.
67	060-001-76	Bearing Housing FC	1	Price on req.
68	142-163-34	Spring Washer M8 SWRH	4	Price on req.
69	140-054-48	Hex.Bolt M8x20 SWRM	4	Price on req.
70	025-001-00	Mechanical Seal H-25T SiC	1	Price on req.
71	143-070-23	Pan Screw M5x6 SWRM	2	Price on req.
72	030-143-12	Oil Lifter H-25(A)(T) Resin	1	Price on req.
73	143-070-10	Pan Screw M5x6 SWRM	4	Price on req.
74	030-148-17	Seal Stopper For HT-2530 SPCC	1	Price on req.
75	122-283-13	O-Ring 165xd3.1 NBR	1	Price on req.
76	121-124-12	Packing (Water Way, Low.) KTV-37/55 NBR	1	Price on req.
77	020-001-02	Pump Casing KTZ23.7/33.7/43.7 FC	1	Price on req.
78	026-144-49	Oil Seal TC-40588 NBR	1	Price on req.
79	040-106-27	Impeller Shim d20.2xd30x0.3t SUS304 (EN X5CrNi18-10) Stainless Steel	1	Price on req.
80	021-L16-17	Impeller (50HZ) 50Hz HiCrFC	1	Price on req.

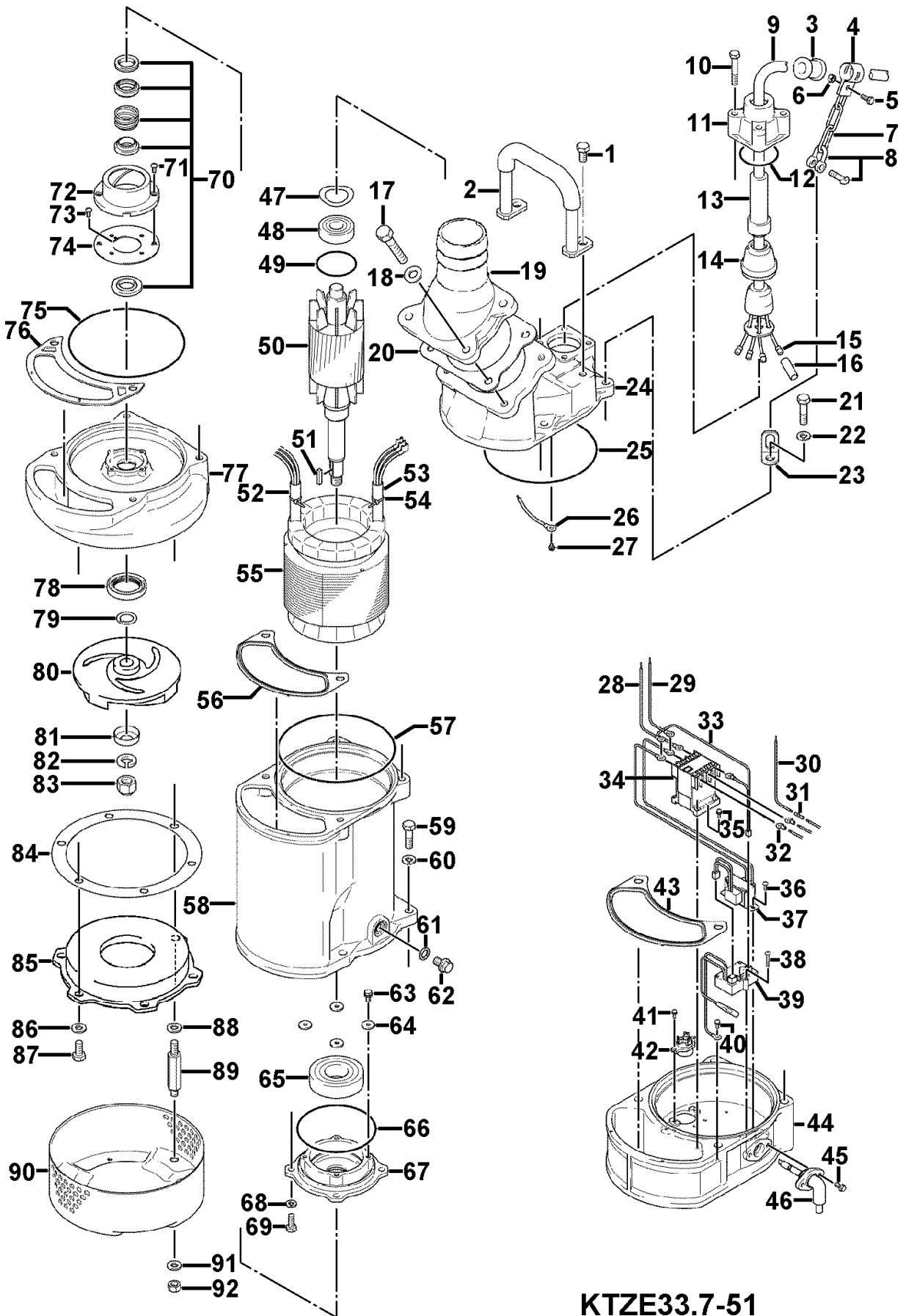
KTZE33.7-51

Kontroll-Nr. --

2019-03-0€ V.01.02.2019

Pos.no	Item no.	Description	Quant.	UP
81	047-104-26	Impeller Thread Protect.Cover No.3B(18) SUS304 (EN X5CrNi18-10) Stainless Steel	1	Price on req.
82	142-166-11	Spring Washer M16 SUS304	1	Price on req.
83	141-033-15	Hex.Cap Nut M16 SUS304 (EN X5Cr18-10)	1	Price on req.
84	120-109-21	Packing (S.Cover) d180xd220x0.3t PE	1	Price on req.
85	022-000-55	Suction Cover KTZ33.7 (FCD)	1	Price on req.
86	142-128-11	Plain Washer M10 Kaltgewalztes Blech	3	Price on req.
87	140-074-15	Hex.Bolt M10x20 SUS304	3	Price on req.
88	142-128-11	Plain Washer M10 Kaltgewalztes Blech	3	Price on req.
89	144-000-31	Stud Bolt M10x94(20/14) DIN 1.4006 (EN X12Cr13) Edelstahl	3	Price on req.
90	023-471-10	Strainer Stand KTZ23.7/45.5 SPCC	1	Price on req.
91	142-128-11	Plain Washer M10 Kaltgewalztes Blech	3	Price on req.
92	141-006-77	Hex.Nut M10 S45C	3	Price on req.
	173-003-37	Packing & O-Ring Set	1	Price on req.
	##oilVG32	ml Turbine Oil ISO VG32	1250	Price on req.
	090-126-15	Electrode Extension KTVE/KTZE	1	Price on req.

Exploded View KTZE33.7-51



KTZE33.7-51