

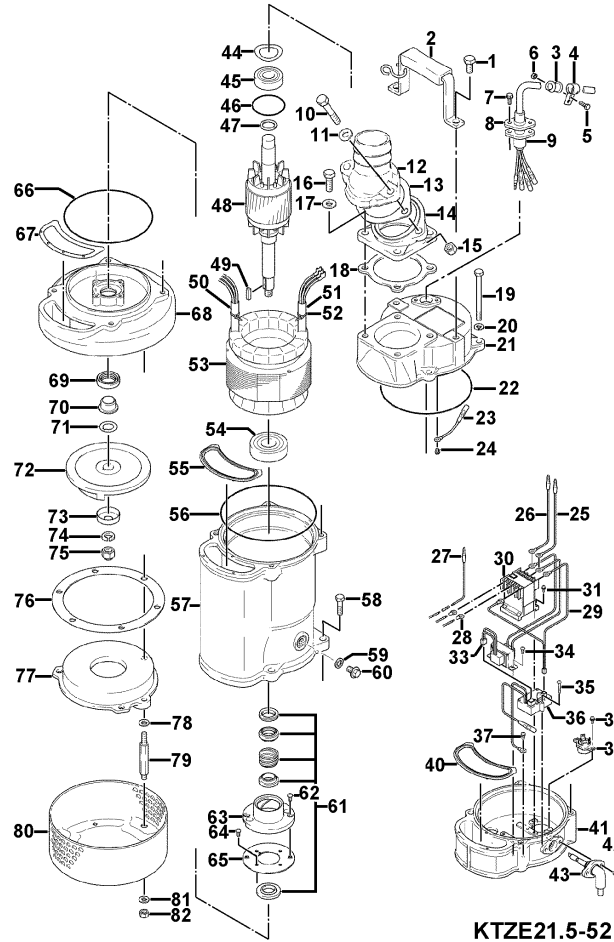
KTZE21.5-52

Kontroll-Nr. --

2024-04-05 V.01.02.2023

Pos.no	Item no.	Description	Qty.	UP / EUR
--------	----------	-------------	------	----------

KTZE21.5-52


KTZE21.5-52

1.1.1	173-003-36	Packing & O-Ring Set	1	
1	140-074-15	Hex.Bolt M10x20 SUS304	2	
2	068-000-17	Handle KTZ1.5/2.2-61(USA) SPC+ NBR	1	
3	010-126-17	Cable Clip Rubber HS2 NBR	1	
4	010-105-10	Cable Clip SB SPC	1	
5	140-018-37	Hex.Bolt M5x15 SWRM	1	
6	141-003-58	Hex.Nut M5 SWRM	1	
7	140-427-17	Hex.Bolt (w/Plain Washer) M5x15 SUS304 (EN X5CrNi18-10)	2	
8	003-190-10	Gland SUS316 (EN X5Cr-Ni-Mo17-12-2)	1	
9	001-TEG-31	Cabletyre Cable Set (20m) H07RN-F4Cx1.5mm ² with gland	1	
9	M01-TEG-31	Cabletyre Cable Set (20m) NSSHÖU 4Cx1.5mm ²	1	
	061-TEG-06	Cable Repair Kit	1	
10	140-080-14	Hex.Bolt M10x45 SUS304 (EN X5CrNi18-10)	2	
11	142-128-11	Plain Washer M10 Kaltgewalztes Blech	2	
12	032-000-78	Hose Coupling 50mm(KTZ,PC100) ADC	1	
12	032-000-85	Hose Coupling (for EUR) BSPT-2(KTZ,PC100) FC	1	
13	121-001-47	Packing (Hose Coupling) KTZ-1.5/2.2 NBR	1	
14	032-000-81	Flange for Hose Coupling KTZ-1.5/2.2,PC107 ADC	1	
15	141-006-19	Hex.Nut M10 SUS304 (EN X5CrNi18-10)	2	
16	140-000-01	Hex.Bolt M10x30(B=14) SUS304 (EN X5CrNi18-10) Stainless Steel	4	
17	142-128-11	Plain Washer M10 Kaltgewalztes Blech	4	
18	121-181-17	Packing KT-15 NBR	1	
19	140-068-16	Hex.Bolt M8x90 SUS304 (EN X5CrNi18-10) Stainless Steel	4	
20	142-163-18	Spring Washer M8 SUS304	4	
21	051-000-49	Motor Head Cover FC	1	
22	122-140-17	O-Ring G-145 NBR	1	
23	009-292-11	Earth Terminal 1.25mmx140L	1	
24	143-085-21	Pan Screw (w/Spring Washer) M4x6 SWRM	1	
25	009-001-36	Intermediate Lead Wire 380/400/415V-50Hz 2mm2x160L(Black,TMEV2-3.5)	1	
26	009-001-35	Intermediate Lead Wire 380/400/415V-50Hz 2mm2x160L(Red,TMEV2-3.5)	1	
27	009-000-28	Intermediate Lead Wire 2mm2x120L(White)	1	
28	009-001-37	Solderless Terminal 380/400/415V-50Hz TMEV2-3.5 CU	2	Price on req.
29	009-001-32	Intermediate Lead Wire AWG22x130L(Orange/Yellow)	1	
30	114-000-86	Electromagnetic Contactor 380/400/415V-50Hz 2mm2x160L SD-Q11	1	
31	143-000-61	Pan Screw (w/Spring Washer/Plain Washer) 380/400/415V-50Hz M4x16 SWRM	2	
32	116-000-01	Fixing Plate G7L-2A-B	1	
33	115-000-69	Transformer 380/400/415V-50Hz EK400/20M	1	
34	143-169-17	Truss Screw M3x8 SWRM	2	
35	143-183-17	Truss Screw M3x20 SUS304 (EN X5CrNi18-10) Stainless Steel	3	
36	114-000-90	Relay Unit ME0K1-1A4	1	

KTZE21.5-52

Kontroll-Nr. --

2024-04-05 V.01.02.2023

Pos.no	Item no.	Description	Qty.	UP / EUR
37	143-085-21	Pan Screw (w/Spring Washer) M4x6 SWRM	1	
38	143-126-12	Pan Screw (w/Spring Washer/Plain Washer) M4x12 SWRM	2	
39	053-000-13	Motor Protector 500/525V-50HZ,575V-60HZ KA311-DPZL78 (T.C)	1	
40	121-507-13	Packing (Water Wav, Upp.) KTZ21.5/32.2 NBR	1	
41	050-001-02	Middle Bracket FC	1	
42	140-427-17	Hex.Bolt (w/Plain Washer) M5x15 SUS304 (EN X5CrNi18-10)	2	
43	090-000-43	Electrode Level Sensor EK-4(w/Gland)	1	
44	142-389-12	Wave Washer #6204 SK-5	1	
45	052-187-16	Bearing (w/O-ring) AC-6204ZZC3	1	
46	122-293-16	O-Ring 47xd3.1 NBR	1	
47	061-174-18	Slinger d20xd27x2t SPC	1	
48	055-705-15	Rotor	1	
49	147-017-11	Impeller Key 5x5x20l SUS	1	
50	002-000-04	Cable Protection Tube NFG-1A,d8 (l/m)	1	
51	002-000-19	Cable Protection Tube NFG-1AC,d12	1	
52	181-072-10	Cable Tie T18S,80Lx2.2Bx16D Nylon	2	Price on req.
53	056-012-81	Stator 380/400/415V-50Hz(EUR)	1	
54	052-108-13	Bearing 6305ZZC3	1	
55	121-507-13	Packing (Water Wav, Upp.) KTZ21.5/32.2 NBR	1	
56	122-140-17	O-Ring G-145 NBR	1	
57	064-000-10	Motor Frame (FC)	1	
58	140-488-16	Hex.Bolt (w/Spring Washer) M8x30 SUS304 (EN X5Cr18-10)	4	
59	121-246-11	Packing (Oil Plug) d10.3xd16x2t PE	1	
60	035-125-13	Oil Plug M10x20(B=13) SUS304 (EN X5CrNi18-10) Stainless Steel	1	
61	025-000-99	Mechanical Seal H-20T SiC	1	
62	143-070-23	Pan Screw M5x6 SWRM	2	
63	030-144-13	Oil Lifter H-20(A)(T) Resin	1	
64	143-070-23	Pan Screw M5x6 SWRM	4	
65	030-154-16	Seal Stopper H-20T SPCC	1	
66	122-139-13	O-Ring G-140 NBR	1	
67	121-501-17	Packing (Water Wav, Low.) KTZ21.5/22.2 NBR	1	
68	020-001-01	Pump Casing KTZ21.5/32.2 FC	1	
69	026-105-19	Oil Seal TC-25388 NBR	1	
70	071-314-13	Shaft Sleeve d20xd25x16l SUS304 (EN X5CrNi18-10) Stainless Steel	1	
71	040-104-25	Impeller Shim d18.2xd29x0.3t SUS304 (EN X5CrNi18-10) Stainless Steel	1	
72	021-554-12	Impeller (50HZ) 15H/50Hz HiCrFC	1	
73	047-113-28	Impeller Thread Protect.Cover No.3A(13.5) SUS304 (EN X5Cr18-10)	1	
74	142-165-10	Spring Washer M12 SUS304 (EN X5CrNi18-10) Stainless Steel	1	Price on req.
75	141-032-14	Hex.Cap Nut M12 SUS304	1	
76	120-110-12	Packing (S.Cover) d150xd186x0.3t PE	1	
77	022-000-52	Suction Cover KTZ21.5/22.5 (FCD)	1	
78	142-127-23	Plain Washer M8 SPC	3	
79	144-000-56	Stud Bolt M8x85(12/30) SUS410 (EN X12Cr13) Stainless Steel	3	
80	023-472-11	Strainer Stand KTZ21.5/32.2 SPCC	1	
81	142-127-23	Plain Washer M8 SPC	3	
82	141-005-89	Hex.Nut M8 SWRM	3	
	173-003-36	Packing & O-Ring Set	1	
	##oilVG32	ml Turbine Oil ISO VG32	740	Price on req.
	090-126-15	Electrode Extension KTVE/KTZE	1	