

**KTZ47.5-52**

Kontroll-Nr. --

2019-02-04 V.01.02.2019

Pos.no	Item no.	Description	Quant.	UP
		Dichtungs-Oring-Satz	1	Price on req.
1	140-080-14	Hex.Bolt M10x45 SUS304 (EN X5CrNi18-10)	4	Price on req.
2	142-164-19	Spring Washer M10 SUS304	4	Price on req.
3	070-117-11	L-Shape Fitting 40x25x4.5t d13Hole SPC	1	Price on req.
4	068-000-31	Handle SGP+SS	1	Price on req.
5	001-005-10	Cabtyre Cable Set (20m) 400/415V-50HZ(EUR) H07RN4Cx4mm2(Gray) KTZ(HAR)	1	Price on req.
6	010-122-10	Cable Clip Rubber No.2 NBR	1	Price on req.
7	010-120-18	Cable Clip No.2-1 SPC	1	Price on req.
8	141-004-59	Hex.Nut M6 SWRM	1	Price on req.
9	140-032-37	Hex.Bolt M6x15 SWRM	1	Price on req.
10	095-131-18	Chain 4mm(3L) SS	1	Price on req.
11	011-101-19	Shackle 6mm SS	1	Price on req.
12	140-060-18	Hex.Bolt M8x50 SUS304	4	Price on req.
13	006-167-17	Stuffing Box No.1-3 FC	1	Price on req.
14	122-121-12	O-Ring G-50 NBR	1	Price on req.
15	004-168-12	Cable Bush No.2 CR	1	Price on req.
16	008-156-19	Mould Cover No.1-3 ADC	1	Price on req.
17	009-129-16	Terminal E (Small) CU	4	Price on req.
18	009-101-12	Terminal(C/W Screw) d12x(d6.6xd6.6)x25l C3604	4	Price on req.
19	009-123-10	Terminal (EUR,NSU) P-5.5 CU	4	Price on req.
20	002-135-14	Heat Shrink Tube (Sold per meter) A(d15x0.3t) (Vm)	1	Price on req.
21	002-132-11	Heat Shrink Tube (Sold per meter) A4(d17x0.27t) (Vm)	1	Price on req.
22	140-000-01	Hex.Bolt M10x30(B=14) SUS304 (EN X5CrNi18-10) Stainless Steel	4	Price on req.
23	142-128-11	Plain Washer M10 Kaltgewalztes Blech	4	Price on req.
24	032-438-13	Hose Coupling (for EUR)KTV(BSPT-4) FC	1	Price on req.
25	121-141-15	Packing KRB-3/4 Type NR	1	Price on req.
26	140-288-14	Hex.Socket Cap Bolt M10x35 SUS304	1	Price on req.
27	142-164-19	Spring Washer M10 SUS304	1	Price on req.
28	050-000-39	Motor Bracket FC	1	Price on req.
29	122-000-09	O-Ring 195xd3.8 NBR	1	Price on req.
30	053-000-16	Motor Protector 380-420V-50HZ 380-460V-60HZ KA314-HKBL00 (B.C)	1	Price on req.
31	143-126-12	Pan Screw (w/Spring Washer/Plain Washer) M4x12 SWRM	2	Price on req.
32	009-295-14	Earth Terminal 5.5mmx170L	1	Price on req.
33	143-085-34	Pan Screw (w/Spring Washer) M4x6 C3604 (EN CuZn39Pb3)	1	Price on req.
34	142-197-11	Wave Washer #6305 SK-5	1	Price on req.
35	052-108-13	Bearing 6305ZC3	1	Price on req.
36	122-244-12	O-Ring 61.4xd3.1 NBR	1	Price on req.
37	058-000-35	Lead Wire Protection Plate d84xd199.5x1.6t PE	1	Price on req.
38	055-002-60	Rotor	1	Price on req.
39	147-139-10	Impeller Key 7x7x28L SUS420 (EN X20Cr13) Stainless Steel	1	Price on req.
40	056-007-33	Stator 380/400/415V-50Hz(EUR)	1	Price on req.
41	121-000-14	Packing (Water Way, Upp.) KTZ35.5/67.5-51/61 NBR	1	Price on req.
42	064-000-03	Motor Frame FC	1	Price on req.
43	140-080-14	Hex.Bolt M10x45 SUS304 (EN X5CrNi18-10)	4	Price on req.
44	142-164-19	Spring Washer M10 SUS304	4	Price on req.
45	140-000-06	Hex.Bolt (w/Spring Washer/Plain Washer) M6x12 SWCH	4	Price on req.
46	052-112-10	Bearing 6309ZC3	1	Price on req.
47	122-285-15	O-Ring 155xd3.1 NBR	1	Price on req.
48	060-001-39	Bearing Housing FC	1	Price on req.
49	140-269-19	Hex. Socket Cap Bolt M8x25 SUS304 (EN X5CrNi18-10) Stainless Steel	4	Price on req.
50	025-001-02	Mechanical Seal H-30T(T) SIC	1	Price on req.
51	143-070-23	Pan Screw M5x6 SWRM	2	Price on req.
52	030-142-11	Oil Lifter H-30(A)(T) Resin	1	Price on req.
53	143-070-10	Pan Screw M5x6 SWRM	6	Price on req.
54	030-147-16	Seal Stopper HT-3035 SPCC	1	Price on req.
55	122-285-15	O-Ring 155xd3.1 NBR	1	Price on req.
56	121-502-18	Packing (Water Way, Low.) KTZ47.5/67.5 NBR	1	Price on req.
57	029-333-17	Oil Casinq KTZ47.5/611 FC	1	Price on req.
58	142-163-18	Spring Washer M8 SUS304	4	Price on req.
59	140-055-10	Hex.Bolt M8x25 SUS304	4	Price on req.
60	121-247-12	Packing d12.3xd18x2t PE	1	Price on req.
61	035-113-18	Oil Plug M12x14 SUS304	1	Price on req.
62	071-198-19	Shaft Sleeve d25xd35x17l SUS403 (EN X6Cr13) Stainless Steel	1	Price on req.
63	020-001-05	Pump Casinq KTZ47.5/67.5 FC	1	Price on req.
64	142-164-19	Spring Washer M10 SUS304	2	Price on req.
65	122-360-15	O-Ring 46.5xd2.5 NBR	1	Price on req.
66	140-448-14	Hex.Bolt M10x150 SUS304 (EN X5CrNi18-10) Stainless Steel	2	Price on req.
67	026-238-12	Labyrinth Ring GHV/GHZ-7.5/11KW SUS304 (EN X5CrNi18-10) Stainless Steel	1	Price on req.
68	040-107-28	Impeller Shim d25.2xd38x0.3t SUS304	1	Price on req.
69	021-000-47	Impeller (50HZ) KTZ47.5-51 HiCrFC	1	Price on req.
70	047-105-14	Impeller Thread Protect.Cover No.4(22) SPC	1	Price on req.
71	141-009-38	Hex.Nut M20(H=12) SUS304	1	Price on req.
72	141-034-16	Hex.Cap Nut M20 SUS304	1	Price on req.
73	120-111-13	Packing (S.Cover) d221xd268x0.3t PE	1	Price on req.
74	022-000-58	Suction Cover KTZ47.5/411 FCD	1	Price on req.
75	142-128-11	Plain Washer M10 Kaltgewalztes Blech	3	Price on req.
76	140-075-16	Hex.Bolt M10x25 SUS304	3	Price on req.
77	142-128-11	Plain Washer M10 Kaltgewalztes Blech	3	Price on req.
78	144-000-57	Stud Bolt M10x124(14/26) SUS403 (EN X6Cr13) Stainless Steel	3	Price on req.
79	023-489-11	Strainer KTZ47.5/411(d12) SPCC	1	Price on req.
80	049-133-20	Bottom Plate KRS-C3/A3 SPC	1	Price on req.
81	142-128-11	Plain Washer M10 Kaltgewalztes Blech	3	Price on req.
82	141-006-77	Hex.Nut M10 S45C	3	Price on req.

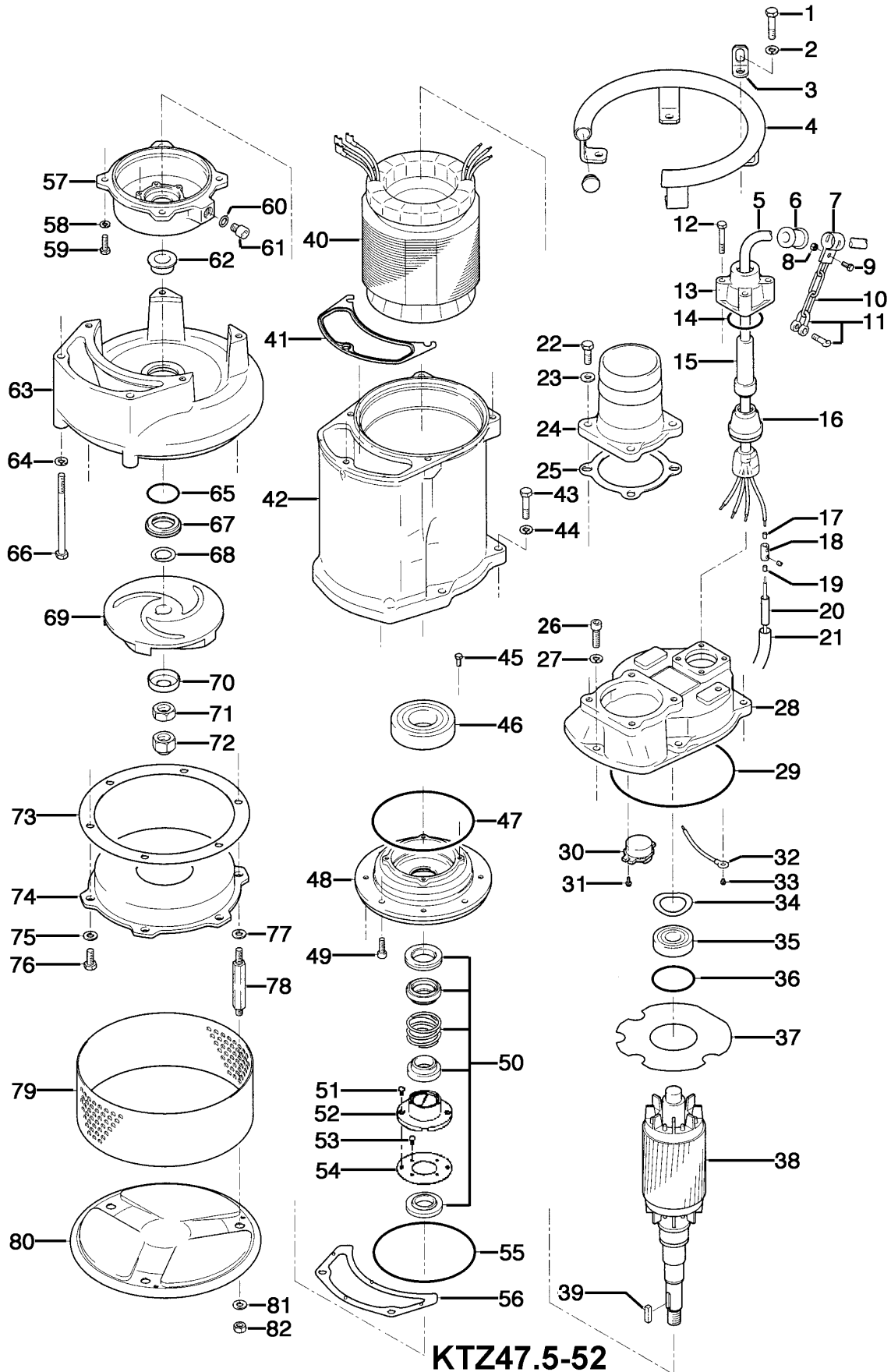
**KTZ47.5-52**

Kontroll-Nr. --

2019-02-04 V.01.02.2019

Pos.no	Item no.	Description	Quant.	UP
	173-000-43	Packing & O-Ring Set	1	Price on req.
	#oilVG32	ml Turbine Oil ISO VG32	760	Price on req.
	183-009-12	Impeller Puller A No.4 1"1/4" FC	1	Price on req.

# Exploded View KTZ47.5-52



KTZ47.5-52