

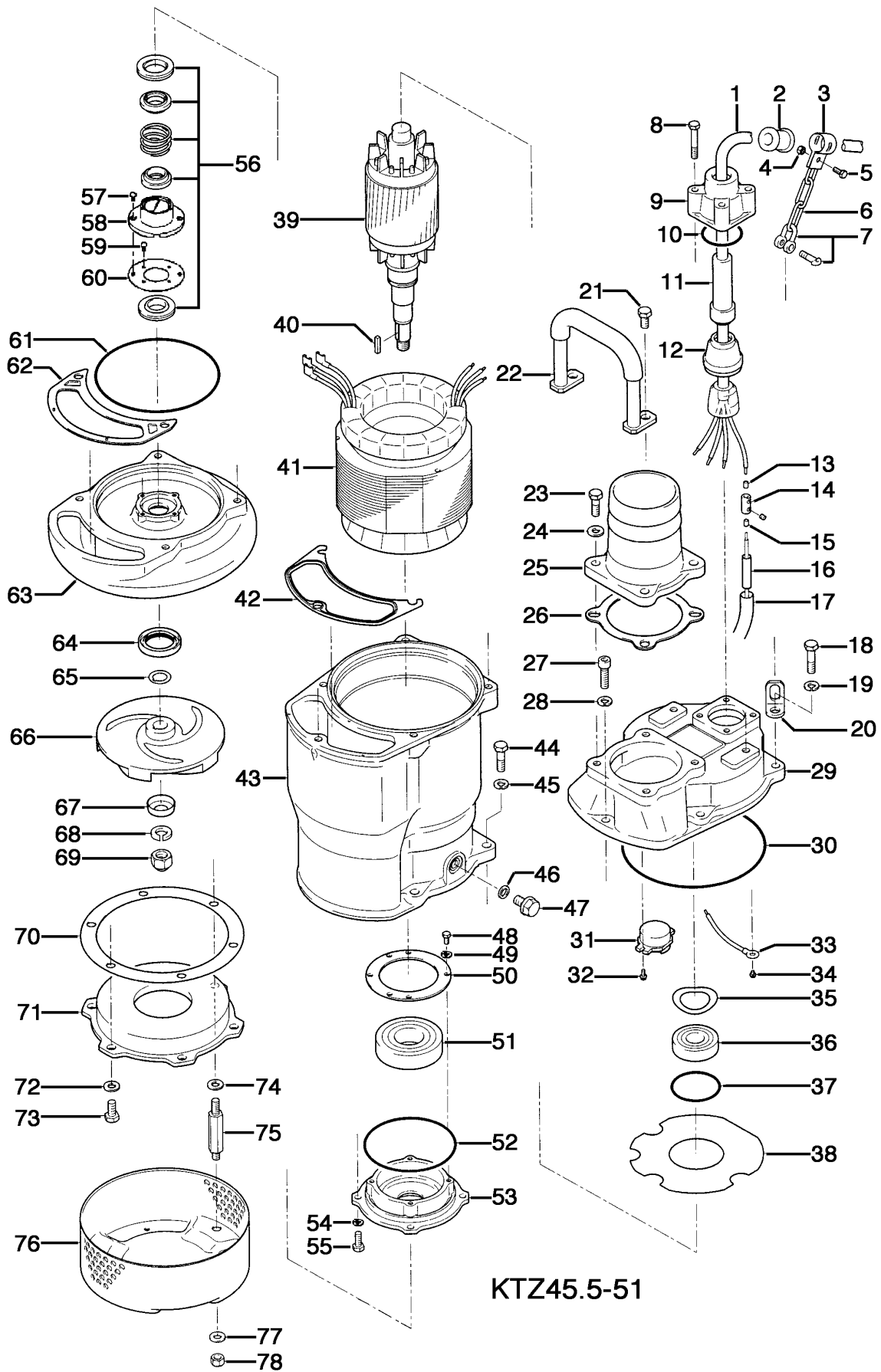
KTZ45.5-51

Kontroll-Nr. --

2019-01-28 V.20 / 1.11.2017

Pos.no	Item no.	Description	Quant.	UP
		Dichtungs-Oring-Satz	1	Price on req.
1	001-TEG-02	Cabtyre Cable Set (20m) H07RN-F4Cx2,5mm ² without stuffing box	1	Price on req.
	M01-TEG-02	Cabtyre Cable Set (20m) NSSHÖU 4Cx2,5mm ²	1	Price on req.
2	010-121-19	Cable Clip Rubber (EUR.NSU) No.1 NBR	1	Price on req.
3	010-120-18	Cable Clip No.2-1 SPC	1	Price on req.
4	141-004-33	Hex.Nut M6 SWRM	1	Price on req.
5	140-032-37	Hex.Bolt M6x15 SWRM	1	Price on req.
6	095-131-18	Chain 4mm(3L) SS	1	Price on req.
7	011-110-11	Shackle 6mm SS	1	Price on req.
8	140-060-18	Hex.Bolt M8x50 SUS304	4	Price on req.
9	006-167-17	Stuffing Box No.1-3 FC	1	Price on req.
10	122-121-12	O-Ring G-50 NBR	1	Price on req.
11	004-168-12	Cable Bush No.2 CR	1	Price on req.
12	008-156-19	Mould Cover No.1-3 ADC	1	Price on req.
13	009-123-10	Terminal (EUR,NSU) P-5.5 CU	4	Price on req.
14	009-101-12	Terminal(C/W Screw) d12x(d6.6xd6.6)x25l C3604	4	Price on req.
16	002-129-15	Heat Shrink Tube (Sold per meter) EVA(d14x1t) (Vm)	1	Price on req.
17	002-132-11	Heat Shrink Tube (Sold per meter) A4(d17x0.27t) (Vm)	1	Price on req.
18	140-079-10	Hex.Bolt M10x40 SUS304 (EN X5Cr18-10)	4	Price on req.
19	142-164-19	Spring Washer M10 SUS304	4	Price on req.
20	070-117-11	L-Shape Fitting 40x25x4.5t d13Hole SPC	1	Price on req.
21	140-074-15	Hex.Bolt M10x20 SUS304	2	Price on req.
22	068-000-36	Handle KTZ23.7/45.5 SGP+SS	1	Price on req.
23	140-076-59	Hex.Bolt M10x30 SUS410 (EN X12Cr13) Stainless Steel	4	Price on req.
24	142-128-11	Plain Washer M10 Kaltgewalztes Blech	4	Price on req.
25	032-127-29	Hose Coupling 100mm(37L) ADC	1	Price on req.
25	032-438-13	Hose Coupling (for EUR)KTV(BSPT-4) FC	1	Price on req.
26	121-141-15	Packing KRB-3/4 Type NR	1	Price on req.
27	140-288-14	Hex.Socket Cap Bolt M10x35 SUS304	1	Price on req.
28	142-164-19	Spring Washer M10 SUS304	1	Price on req.
29	050-000-03	Motor Bracket FC	1	Price on req.
30	122-000-09	O-Ring 195xd3.8 NBR	1	Price on req.
31	053-506-18	Motor Protector 380-420V-50HZ 380-460V-60HZ KA314-HMXL00 (B.C)	1	Price on req.
32	143-126-12	Pan Screw (w/Spring Washer/Plain Washer) M4x12 SWRM	2	Price on req.
33	009-294-13	Earth Terminal 3.5mmx170L	1	Price on req.
34	143-085-34	Pan Screw (w/Spring Washer) M4x6 C3604 (EN CuZn39Pb3)	1	Price on req.
35	142-197-11	Wave Washer #6305 SK-5	1	Price on req.
36	052-108-13	Bearing 6305ZCC3	1	Price on req.
37	122-244-12	O-Ring 61.4xd3.1 NBR	1	Price on req.
38	058-000-02	Lead Wire Protection Plate d84xd199.5x1.5t Bakelite	1	Price on req.
39	055-000-09	Rotor	1	Price on req.
40	147-026-13	Impeller Key 5x5x25l Stainless Steel	1	Price on req.
41	056-000-16	Stator 380/400/415-50HZ	1	Price on req.
42	121-000-14	Packing (Water Way, Upp.) KTZ35.5/67.5-51/61 NBR	1	Price on req.
43	064-000-02	Motor Frame FC	1	Price on req.
44	140-078-19	Hex.Bolt M10x30 SUS304	4	Price on req.
45	142-164-19	Spring Washer M10 SUS304	4	Price on req.
46	121-247-12	Packing d12.3xd18x2t PE	1	Price on req.
47	140-000-17	Hex.Bolt (w/Flange) M12x15(Oil Plug) SUS304 (EN X5CrNi18-10) Stainless Steel	1	Price on req.
48	140-030-35	Hex.Bolt M6x12 SWRM	4	Price on req.
49	142-162-33	Spring Washer M6 SWRH	4	Price on req.
50	062-220-13	Bearing Cover d80xd115x3.2t SPCC	1	Price on req.
51	052-111-19	Bearing 6308ZCC3	1	Price on req.
52	122-135-19	O-Ring G-120(119.4xd3.1) NBR	1	Price on req.
53	060-001-00	Bearing Housing FC	1	Price on req.
54	142-163-34	Spring Washer M8 SWRH	4	Price on req.
55	140-054-48	Hex.Bolt M8x20 SWRM	4	Price on req.
56	025-001-21	Mechanical Seal HT-2530N SiC	1	Price on req.
57	143-070-10	Pan Screw M5x6 SWRM	2	Price on req.
58	030-139-15	Oil Lifter For HT-2530 Resin	1	Price on req.
59	143-070-10	Pan Screw M5x6 SWRM	4	Price on req.
60	030-148-17	Seal Stopper For HT-2530 SPCC	1	Price on req.
61	122-283-13	O-Ring 165xd3.1 NBR	1	Price on req.
62	121-124-12	Packing (Water Way, Low.) KTV-37/55 NBR	1	Price on req.
63	020-001-04	Pump Casing KTZ35.5/45.5 FC	1	Price on req.
64	026-144-49	Oil Seal TC-40588 NBR	1	Price on req.
65	040-106-27	Impeller Shim d20.2xd30x0.3t SUS304 (EN X5CrNi18-10) Stainless Steel	1	Price on req.
66	021-565-29	Impeller (50HZ) 50Hz HiCrFC	1	Price on req.
67	047-104-26	Impeller Thread Protect.Cover No.3B(18) SUS304 (EN X5CrNi18-10) Stainless Steel	1	Price on req.
68	142-166-11	Spring Washer M16 SUS304	1	Price on req.
69	141-033-15	Hex.Cap Nut M16 SUS304 (EN X5Cr18-10)	1	Price on req.
70	120-109-21	Packing (S.Cover) d180xd220x0.3t PE	1	Price on req.
71	022-000-56	Suction Cover KTZ43.7 (FCD)	1	Price on req.
72	142-128-11	Plain Washer M10 Kaltgewalztes Blech	3	Price on req.
73	140-074-15	Hex.Bolt M10x20 SUS304	3	Price on req.
74	142-128-11	Plain Washer M10 Kaltgewalztes Blech	3	Price on req.
75	144-000-31	Stud Bolt M10x94(20/14) DIN 1.4006 (EN X12Cr13) Edelstahl	3	Price on req.
76	023-471-10	Strainer Stand KTZ23.7/45.5 SPCC	1	Price on req.
77	142-128-11	Plain Washer M10 Kaltgewalztes Blech	3	Price on req.
78	141-006-77	Hex.Nut M10 S45C	3	Price on req.
	173-000-42	Packing & O-Ring Set	1	Price on req.
	##oilVG32	ml Turbine Oil ISO VG32	1100	Price on req.

Exploded View KTZ45.5-51



KTZ45.5-51