

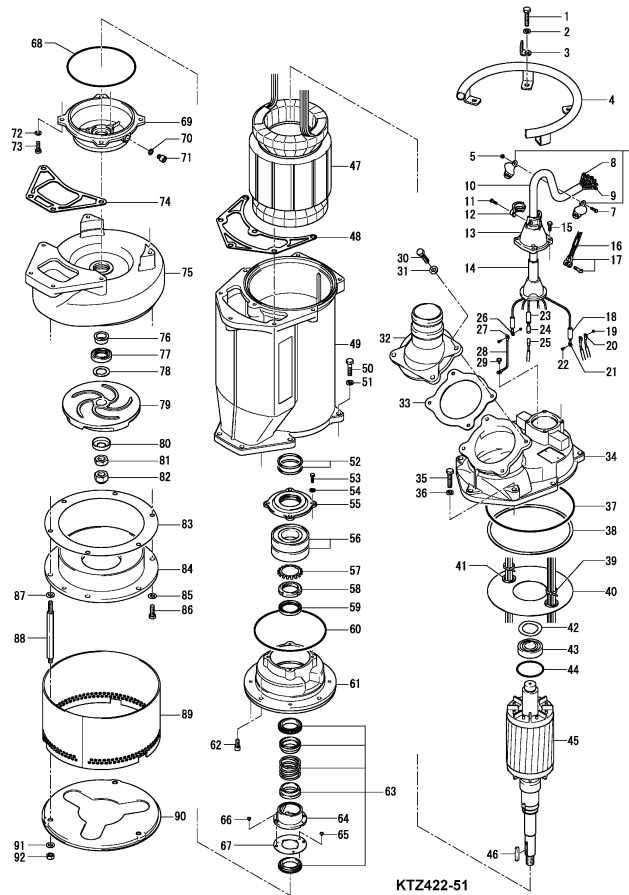
KTZ422-51

Kontroll-Nr. --

2022-03-08 V.01.02.2022

Pos.no	Item no.	Description	Qty.	UP / EUR
--------	----------	-------------	------	----------

KTZ422-51



KTZ422-51

1.1.1	173-004-04	Packing O-Ring Set	1	199,74
1	140-102-13	Hex.Bolt M12x55 SUS304	6	8,33
2	142-165-10	Spring Washer M12 SUS304	6	1,33
3	070-000-65	L-Shape Fitting KRS815-51/61 SS	1	24,79
4	068-000-83	Handle JT1-2-22-KTZ SGPSS	1	100,82
5	141-004-17	Hex.Nut M6 SUS304	3	0,51
6	010-101-16	Cable Clip No.3 SPC	2	11,10
7	140-035-14	Hex.Bolt M6x20 SUS304	3	0,99
8	009-106-17	Terminal(EUR,NSU) R-8-6 CU	4	2,36
9	009-116-10	Terminal R-2-4 CU	2	0,93
10	001-011-17	Cabtyre Cable Set (20m)380/400/415V-50Hz(EUR,NSU) NSSHOU Multi-core7Cx10mm2 KR-3(HAR)	1	4.245,33
11	140-035-14	Hex.Bolt M6x20 SUS304	2	0,99
12	070-107-18	Cable Clamp FC	1	10,56
13	006-127-15	Stuffing Box 380/400/415V-50Hz(EUR,NSU) No.3 FC	1	93,07
14	008-145-15	Mould Cover KR3-7 CR	1	26,67
15	140-055-10	Hex.Bolt M8x25 SUS304	4	2,11
16	095-000-99	Chain 4mm(3L)L=29.4 SS	1	3,33
17	011-000-44	Shackle #5(for Clip)	2	7,43
18	002-000-18	Heat Shrink Tube (Sold per meter) W3F2(3/4IN) (V/m)	1	Price on req.
18	200-000-26	Electrical Tube (30m) 540S(0,18t-50Wx30m)	1	Price on req.
19	141-004-59	Hex.Nut M6 SWRM	4	0,51
20	009-131-11	Terminal 380V-50Hz R-5.5-6 CU	6	0,94
21	009-106-17	Terminal(EUR,NSU) R-8-6 CU	3	2,36
22	140-029-28	Hex.Bolt M6x10 SWRM	4	Price on req.
23	002-164-12	Heat Shrink Tube (Sold per meter)A4(d13x0.3t)(JPY /m)	1	27,16
24	009-114-18	Connector PC-4020M	2	2,73
25	009-115-19	Connector PC-4020F	2	2,73
26	009-106-17	Terminal(EUR,NSU) R-8-6 CU	1	2,36
27	009-107-18	Terminal R-14-6 CU	2	2,72
28	009-	Earth Terminal	1	Price on req.
29	143-000-76	Pan Screw M6x10 SWRM	1	Price on req.
30	140-099-16	Hex.Bolt M12x40 SUS304	4	6,67
31	142-129-25	Plain Washer M12 SPC	4	0,61
32	032-000-99	Hose Coupling (for EUR,NSU) KTZ411-53(Angle,BSPT-4) FC	1	400,06
33	121-001-49	Packing (Hose Coupling) KTZ-11(Anale) NBR	1	Price on req.
34	050-001-54	Motor Bracket FC200 (EN-GJL-200)	1	1.645,07
35	140-107-18	Hex.Bolt M12x80 SUS304 (X5CrNi18-10)	2	10,61
36	142-165-10	Spring Washer M12 SUS304	2	1,33
37	122-158-18	O-Ring G-270(269.3xd5.7) NBR	1	20,27

KTZ422-51

Kontroll-Nr. --

2022-03-08 V.01.02.2022

Pos.no	Item no.	Description	Qty.	UP / EUR
38	121-002-22	Packing d253xd270x3t NBR	1	39,80
39	181-000-07	Cable Tie T50R-HR,202Lx4.6Bx50D Nylon	2	Price on req.
40	058-000-56	Lead Wire Protection Plate JT1-2-22-KTZ SPHC	1	233,49
41	016-000-27	Protection Bush TM-NG-79-R Synthetic Rubber	2	4,24
42	142-199-26	Wave Washer BWW-6307,D=80,T=0.45 SK5	1	7,08
43	052-110-21	Bearing 6307ZZC3	1	68,99
44	122-127-18	O-Ring G-80(79.4xd3.1) NBR	1	3,32
45	055-004-05	Rotor	1	2.388,00
46	147-000-86	Impeller Key 7x8x45L SUS420J2 (EN-X30Cr13)	1	40,87
47	056-011-65	Stator 380/400/415V-50Hz(EUR,NSU)	1	9.021,33
48	121-002-23	Packing KTZ422/622 NBR	1	68,99
49	064-001-79	Motor Frame FC200 (EN-GJL-200)	1	5.253,60
50	140-100-11	Hex.Bolt M12x45 SUS304	6	7,22
51	142-165-10	Spring Washer M12 SUS304	6	1,33
52	121-463-16	Packing (Felt) 4x4.4x217l Felt	2	52,51
53	140-055-49	Hex.Bolt M8x25 SWRM	4	1,19
54	142-163-34	Spring Washer M8 SWRH	4	0,50
55	062-000-40	Bearing Fixing Plate JT1-2-22-KTZ FC200 (EN-GJL-200)	1	68,99
56	052-120-11	Bearing 7311ADBC3	1	875,42
57	142-244-14	Bearing Washer AW11 SPCC	1	18,34
58	141-076-10	Bearing Nut AN11 SS	1	58,10
59	026-272-18	Oil Seal SC-50689 NBR	1	52,80
60	122-152-12	O-Ring G-210 NBR	1	15,34
61	060-002-38	Bearing Housing FC200 (EN-GJL-200)	1	636,80
62	140-285-11	Hex.Socket Cap Bolt M10x25 SUS304	4	10,56
63	025-257-14	Mechanical Seal H-35T SIC	1	797,59
64	030-156-18	Oil Lifter H-35(A)(T) Resin	1	8,89
65	143-070-23	Pan Screw M5x6 SWRM	2	0,37
66	143-070-10	Pan Screw M5x6 SWRM	3	0,37
67	030-150-12	Seal Stopper H-35(A)(T) SPCC	1	10,83
68	122-151-11	O-Ring G-205 (NBR)	1	15,82
69	029-001-37	Oil Casing KTZ422/622 FC200 (EN-GJL-200)	1	228,19
70	121-247-12	Packing d12.3xd18x2t PE	1	1,04
71	035-113-18	Oil Plug M12x14 SUS304	1	8,33
72	142-164-19	Spring Washer M10 SUS304	4	0,89
73	140-076-17	Hex.Bolt M10x30 SUS304	4	4,46
74	121-002-25	Packing KTZ422/622 NBR	1	63,68
75	020-004-18	Pump Casing KTZ422/622 FC200 (EN-GJL-200)	1	2.812,53
76	071-217-15	Shaft Sleeve (2nd Stage) d30xd40x17t SUS403 (EN X6Cr13) Stainless Steel	1	77,27
77	026-255-15	Labyrinth ring only	1	103,93
78	040-125-19	Impeller Shim d31xd45.2x0.5t SUS304 (EN X5CrNi18-10) Stainless Steel	1	5,01
79	021-012-26	Impeller (50Hz) KTZ622-51 HicrFc	1	3.290,13
79	021-012-27	Impeller (60Hz) KTZ422-61 HicrFc	1	3.290,13
80	047-106-28	Impeller Thread Protect.Cover No.5(26) SUS304 (EN X5CrNi18-10) Stainless Steel	1	13,64
81	141-011-20	Hex.Nut M24(H=14) SUS304 (EN X5CrNi18-10) Stainless Steel	1	36,67
82	141-035-17	Hex.Cap Nut M24 SUS304 (EN X5CrNi18-10) Stainless Steel	1	85,07
83	120-000-40	Packing (S.Cover) 344x260xPC320(6-14) PE	1	31,31
84	022-002-28	Suction Cover KTZ422 FCD	1	573,12
85	142-129-25	Plain Washer M12 SPC	3	0,61
86	140-098-15	Hex.Bolt M12x35 SUS304	3	6,12
87	142-129-25	Plain Washer M12 SPC	3	0,61
88	144-001-20	Stud Bolt M12x210L(35/20) SUS304 (X5CrNi18-10)	3	95,52
89	023-002-25	Strainer KTZ422d8.5 SS	1	297,18
90	049-136-10	Bottom Plate D6 SPC	1	130,08
91	142-129-25	Plain Washer M12 SPC	3	0,61
92	141-007-10	Hex.Nut M12 SUS304	3	3,61
	173-004-04	Packing O-Ring Set	1	199,74
	##oilVG32	ml Turbine Oil ISO VG32	2000	Price on req.