

KTZ411-53

Kontroll-Nr. --

2019-02-04 V.01.02.2019

Pos.no	Item no.	Description	Quant.	UP
		Dichtungs-Oring-Satz	1	Price on req.
1	140-101-12	Hex.Bolt M12x50 SUS304 (EN X5CrNi18-10) Stainless Steel	6	Price on req.
2	142-165-10	Spring Washer M12 SUS304	6	Price on req.
3	070-117-11	L-Shape Fitting 40x25x4.5t d13Hole SPC	1	Price on req.
4	068-000-32	Handle SGP+SS	1	Price on req.
5	M01-TEG-04	Cabtyre Cable Set (20m) NSSHÖU 4Cx4mm ²	1	Price on req.
6	010-122-10	Cable Clip Rubber No.2 NBR	1	Price on req.
7	010-120-18	Cable Clip No.2-1 SPC	1	Price on req.
8	141-004-59	Hex.Nut M6 SWRM	1	Price on req.
9	140-032-37	Hex.Bolt M6x15 SWRM	1	Price on req.
10	095-131-18	Chain 4mm(3L) SS	1	Price on req.
11	011-101-19	Shackle 6mm SS	1	Price on req.
12	140-078-19	Hex.Bolt M10x30 SUS304	2	Price on req.
13	003-183-23	Gland GHZ-311W FC	1	Price on req.
14	002-103-13	Cable Protection Tube 400/415V-50Hz(EUR,NSU) No.3 NBR	1	Price on req.
15	005-122-17	Bush Washer 380V-50Hz d23xd53.5x3.2t SPC	2	Price on req.
16	004-000-01	Cable Bush 400/415V-50Hz(EUR,NSU) d18xd54x26 NBR	1	Price on req.
17	140-055-10	Hex.Bolt M8x25 SUS304	4	Price on req.
18	006-160-10	Stuffing Box GHZ-311W FC	1	Price on req.
19	122-128-19	O-Ring G-85(84.4xd3.1) NBR	1	Price on req.
20	009-123-10	Terminal (EUR,NSU) P-5,5 CU	4	Price on req.
21	009-101-12	Terminal(C/W Screw) d12x(d6.6xd6.6)x25l C3604	4	Price on req.
22	009-129-16	Terminal E (Small) CU	4	Price on req.
23	002-135-14	Heat Shrink Tube (Sold per meter) A(d15x0.3t) (Vm)	1	Price on req.
24	002-132-11	Heat Shrink Tube (Sold per meter) A4(d17x0.27t) (Vm)	1	Price on req.
25	140-099-16	Hex.Bolt M12x40 SUS304	4	Price on req.
26	142-129-25	Plain Washer M12 SPC	4	Price on req.
27	032-000-99	Hose Coupling (for EUR,NSU) KTZ411-53(Angle,BSPT-4) FC	1	Price on req.
28	121-001-49	Packing (Hose Coupling) KTZ-11(Angle) NBR	1	Price on req.
29	143-164-25	Pan Screw (w/Spring Washer) M6x8 BSBM	1	Price on req.
30	009-296-15	Earth Terminal 8mm2x180L	1	Price on req.
31	050-001-13	Motor Bracket FC	1	Price on req.
32	122-173-19	O-Ring V-225 NBR	1	Price on req.
33	053-000-24	Motor Protector 380-420V-50HZ 380-460V-60HZ KA315-JKZL00 (B.C)	1	Price on req.
34	143-125-24	Pan Screw (w/Spring Washer/Plain Washer) M4x14 SWRM	2	Price on req.
35	142-198-12	Wave Washer 6306 SK5	1	Price on req.
36	052-109-14	Bearing 6306ZC3	1	Price on req.
37	122-245-13	O-Ring 71.4xd3.1 NBR	1	Price on req.
38	058-000-36	Lead Wire Protection Plate d96xd224.5x1.6t PE	1	Price on req.
39	055-002-61	Rotor	1	Price on req.
40	147-139-10	Impeller Key 7x7x28L SUS420 (EN X20Cr13) Stainless Steel	1	Price on req.
41	056-007-37	Stator 380/400/415V-50Hz	1	Price on req.
42	121-504-10	Packing (Water Wav. Upd.) KTZ411/611 NBR	1	Price on req.
43	064-001-32	Motor Frame FC	1	Price on req.
44	140-080-14	Hex.Bolt M10x45 SUS304 (EN X5CrNi18-10)	4	Price on req.
45	142-164-19	Spring Washer M10 SUS304	4	Price on req.
46	140-000-06	Hex.Bolt (w/Spring Washer/Plain Washer) M6x12 SWCH	4	Price on req.
47	052-112-10	Bearing 6309ZC3	1	Price on req.
48	122-285-15	O-Ring 155xd3.1 NBR	1	Price on req.
49	060-001-39	Bearing Housing FC	1	Price on req.
50	140-269-19	Hex. Socket Cap Bolt M8x25 SUS304 (EN X5CrNi18-10) Stainless Steel	4	Price on req.
51	025-001-02	Mechanical Seal H-30T(T) SIC	1	Price on req.
52	143-070-23	Pan Screw M5x6 SWRM	2	Price on req.
53	030-142-11	Oil Lifter H-30(A)(T) Resin	1	Price on req.
54	143-070-10	Pan Screw M5x6 SWRM	6	Price on req.
55	030-147-16	Seal Stopper HT-3035 SPCC	1	Price on req.
56	122-285-15	O-Ring 155xd3.1 NBR	1	Price on req.
57	121-503-19	Packing (Water Wav. Low.) KTZ411/611 NBR	1	Price on req.
58	029-333-17	Oil Casing KTZ47.5/611 FC	1	Price on req.
59	142-163-18	Spring Washer M8 SUS304	4	Price on req.
60	140-055-10	Hex.Bolt M8x25 SUS304	4	Price on req.
61	121-247-12	Packing d12.3xd18x2t PE	1	Price on req.
62	035-113-18	Oil Plug M12x14 SUS304	1	Price on req.
63	071-198-19	Shaft Sleeve d25xd35x17l SUS403 (EN X6Cr13) Stainless Steel	1	Price on req.
64	020-001-06	Pump Casing KTZ411/611 (FC)	1	Price on req.
65	142-164-19	Spring Washer M10 SUS304	2	Price on req.
66	140-449-15	Hex.Bolt M10x140 SUS304 (EN X5CrNi18-10) Stainless Steel	2	Price on req.
67	122-360-15	O-Ring 46.5xd2.5 NBR	1	Price on req.
68	026-238-12	Labyrinth Ring GHV/GHZ-7.5/11KW SUS304 (EN X5CrNi18-10) Stainless Steel	1	Price on req.
69	040-107-28	Impeller Shim d25.2xd38x0.3t SUS304	1	Price on req.
70	021-K86-17	Impeller (50HZ) KTZ411-50 HiCrFC	1	Price on req.
71	047-105-14	Impeller Thread Protect.Cover No.4(22) SPC	1	Price on req.
72	141-009-38	Hex.Nut M20(H=12) SUS304	1	Price on req.
73	141-034-16	Hex.Cap Nut M20 SUS304	1	Price on req.
74	120-111-13	Packing (S.Cover) d221xd268x0.3t PE	1	Price on req.
75	022-000-58	Suction Cover KTZ47.5/411 FCD	1	Price on req.
76	142-128-11	Plain Washer M10 Kaltgewalztes Blech	3	Price on req.
77	140-075-16	Hex.Bolt M10x25 SUS304	3	Price on req.
78	142-128-11	Plain Washer M10 Kaltgewalztes Blech	3	Price on req.
79	144-000-57	Stud Bolt M10x124(14/26) SUS403 (EN X6Cr13) Stainless Steel	3	Price on req.
80	023-489-11	Strainer KTZ47.5/411(d12) SPCC	1	Price on req.
81	049-133-20	Bottom Plate KRS-C3/A3 SPC	1	Price on req.
82	142-128-11	Plain Washer M10 Kaltgewalztes Blech	3	Price on req.

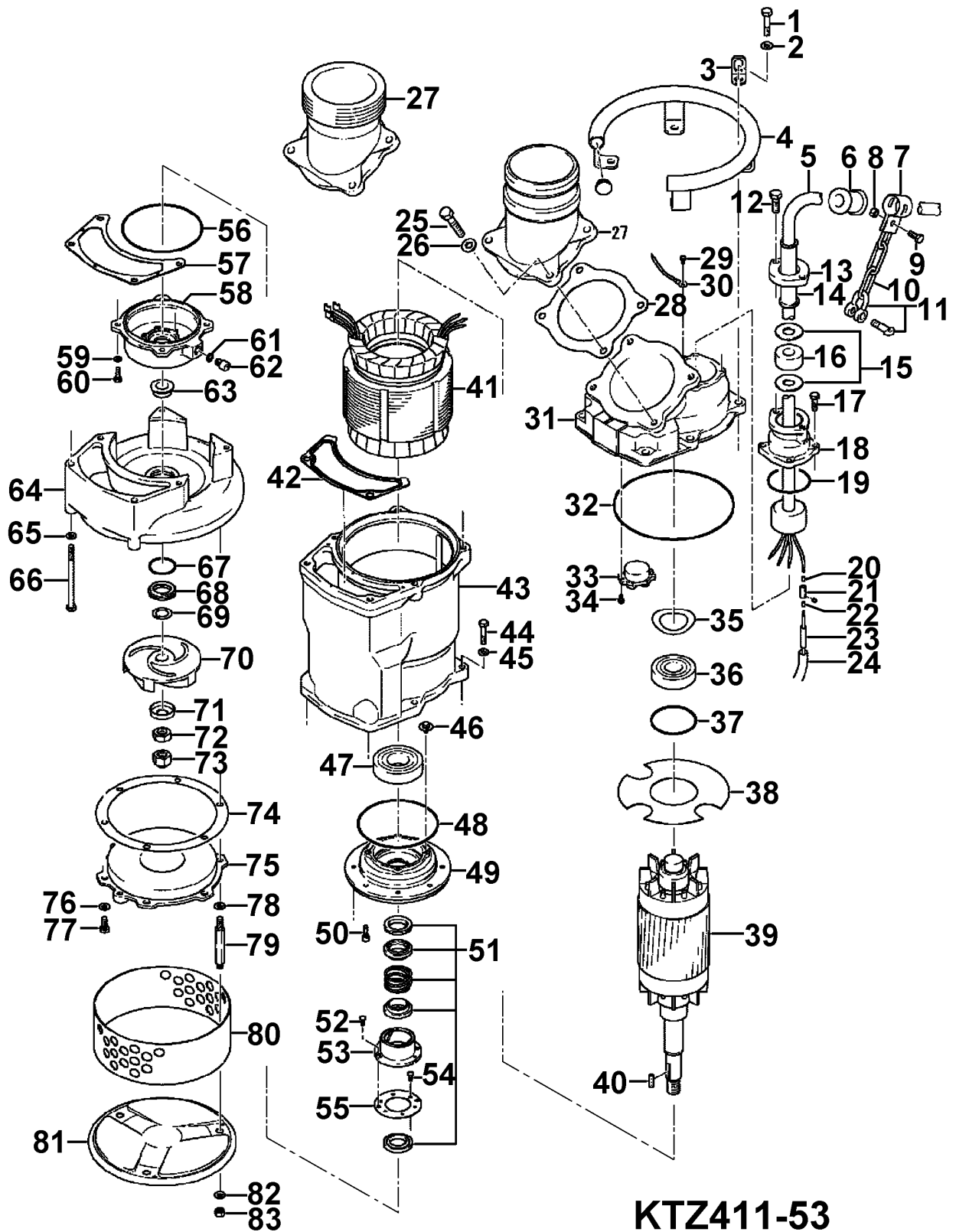
KTZ411-53

Kontroll-Nr. --

2019-02-04 V.01.02.2019

Pos.no	Item no.	Description	Quant.	UP
83	141-006-77	Hex.Nut M10 S45C	3	Price on req.
	#oilVG32	ml Turbine Oil ISO VG32	760	Price on req.
	183-009-12	Impeller Puller A No.4 1*1/4" FC	1	Price on req.
	173-003-42	Packing & O-Ring Set	1	Price on req.

Exploded View KTZ411-53



KTZ411-53