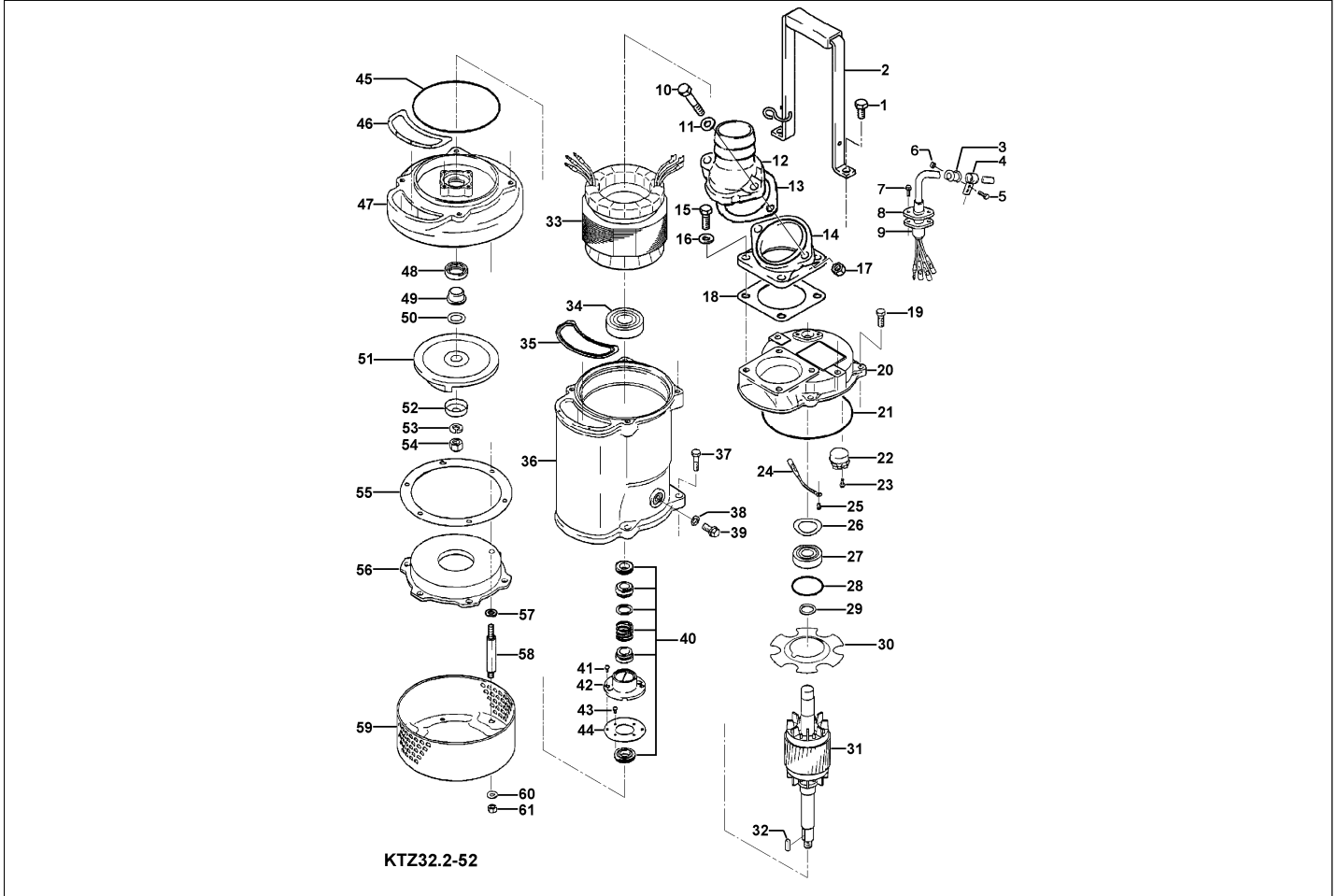


KTZ32.2-52

Kontroll-Nr. --

2024-04-04 V.01.02.2023

Pos.no	Item no.	Description	Qty.	UP / EUR
--------	----------	-------------	------	----------



1.1.1	173-003-31	Packing & O-Ring Set	1	
1	140-074-15	Hex.Bolt M10x20 SUS304	2	
2	068-000-64	Handle (H=250mm) SUS304+NBR	1	
3	010-126-17	Cable Clip Rubber HS2 NBR	1	
4	010-105-10	Cable Clip SB SPC	1	
5	140-018-37	Hex.Bolt M5x15 SWRM	1	
6	141-003-58	Hex.Nut M5 SWRM	1	
7	140-427-17	Hex.Bolt (w/Plain Washer) M5x15 SUS304 (EN X5CrNi18-10)	2	
8	003-190-10	Gland SUS316 (EN X5Cr-Ni-Mo17-12-2)	1	
9	001-TEG-31	Cabletyre Cable Set (20m) H07RN-F4Cx1.5mm ² with gland	1	
9	M01-TEG-31	Cabletyre Cable Set (20m) NSSHÖU 4Cx1.5mm ²	1	
	061-TEG-06	Cable Repair Kit	1	
10	140-080-14	Hex.Bolt M10x45 SUS304 (EN X5CrNi18-10)	2	
11	142-128-11	Plain Washer M10 Kaltgewalztes Blech	2	
12	032-000-87	Hose Coupling (for EUR) BSPT-3(KTZ,PC100) FC	1	
12	032-000-79	Hose Coupling 80mm(KTZ,PC100) ADC	1	
13	121-001-47	Packing (Hose Coupling) KTZ-1.5/2.2 NBR	1	
14	032-000-81	Flange for Hose Coupling KTZ-1.5/2.2,PC107 ADC	1	
15	140-000-01	Hex.Bolt M10x30(B=14) SUS304 (EN X5CrNi18-10) Stainless Steel	1	
16	142-128-11	Plain Washer M10 Kaltgewalztes Blech	4	
17	141-006-19	Hex.Nut M10 SUS304 (EN X5CrNi18-10)	4	
18	121-181-17	Packing KT-15 NBR	1	
19	140-488-16	Hex.Bolt (w/Spring Washer) M8x30 SUS304 (EN X5Cr18-10)	1	
20	050-420-18	Motor Bracket FC	4	
21	122-140-17	O-Ring G-145 NBR	1	
22	053-000-02	Motor Protector 380V-50Hz(CHN) KA313-GDVL103 (T.C)	1	
23	143-126-12	Pan Screw (w/Spring Washer/Plain Washer) M4x12 SWRM	1	
24	009-292-11	Earth Terminal 1.25mmx140L	1	
25	143-085-34	Pan Screw (w/Spring Washer) M4x6 C3604 (EN CuZn39Pb3)	1	
26	142-389-12	Wave Washer #6204 SK-5	1	
27	052-187-16	Bearing (w/O-ring) AC-6204ZZC3	2	
28	122-293-16	O-Ring 47xd3.1 NBR	1	
29	061-174-18	Slinger d20xd27x2t SPC	1	
30	058-000-13	Lead Wire Protection Plate d61xd136x2t (Resin)	1	
31	055-706-16	Rotor	1	
32	147-017-11	Impeller Key 5x5x20l SUS	1	
33	056-012-86	Stator 380/400/415V-50Hz	1	
34	052-108-13	Bearing 6305ZZC3	1	
35	121-507-13	Packing (Water Way, Upp.) KTZ21.5/32.2 NBR	1	
36	064-000-10	Motor Frame (FC)	1	

KTZ32.2-52

Kontroll-Nr. --

2024-04-04 V.01.02.2023

Pos.no	Item no.	Description	Qty.	UP / EUR
37	140-488-16	Hex Bolt (w/Spring Washer) M8x30 SUS304 (EN X5Cr18-10)	1	
38	121-246-11	Packing (Oil Plug) d10.3xd16x2t PE	1	
39	035-125-13	Oil Plug M10x20(B=13) SUS304 (EN X5CrNi18-10) Stainless Steel	4	
40	025-000-99	Mechanical Seal H-20T SIC	1	
41	143-070-23	Pan Screw M5x6 SWRM	1	
42	030-144-13	Oil Lifter H-20(A)(T) Resin	1	
43	143-070-23	Pan Screw M5x6 SWRM	2	
44	030-154-16	Seal Stopper H-20T SPCC	1	
45	122-139-13	O-Ring G-140 NBR	4	
46	121-501-17	Packing (Water Way, Low.) KTZ21.5/22.2 NBR	1	
47	020-001-01	Pump Casing KTZ21.5/32.2 FC	1	
48	026-105-19	Oil Seal TC-25388 NBR	1	
49	071-314-13	Shaft Sleeve d20xd25x16l SUS304 (EN X5CrNi18-10) Stainless Steel	1	
50	040-104-25	Impeller Shim d18.2xd29x0.3t SUS304 (EN X5CrNi18-10) Stainless Steel	1	
51	021-556-27	Impeller (50Hz) 22L/50Hz HiCrFC	1	
52	047-113-28	Impeller Thread Protect.Cover No.3A(13.5) SUS304 (EN X5Cr18-10)	1	
53	142-165-10	Spring Washer M12 SUS304 (EN X5CrNi18-10) Stainless Steel	1	Price on req.
54	141-032-14	Hex.Cap Nut M12 SUS304	1	
55	120-110-12	Packing (S.Cover) d150xd186x0.3t PE	1	
56	022-000-53	Suction Cover KTZ31.5/32.2 (FCD)	1	
57	142-127-23	Plain Washer M8 SPC	1	
58	144-000-56	Stud Bolt M8x85(12/30) SUS410 (EN X12Cr13) Stainless Steel	1	
59	023-472-11	Strainer Stand KTZ21.5/32.2 SPCC	3	
60	142-127-23	Plain Washer M8 SPC	3	
61	141-005-89	Hex.Nut M8 SWRM	1	
	173-003-31	Packing & O-Ring Set	1	
	##oilVG32	ml Turbine Oil ISO VG32	740	Price on req.