

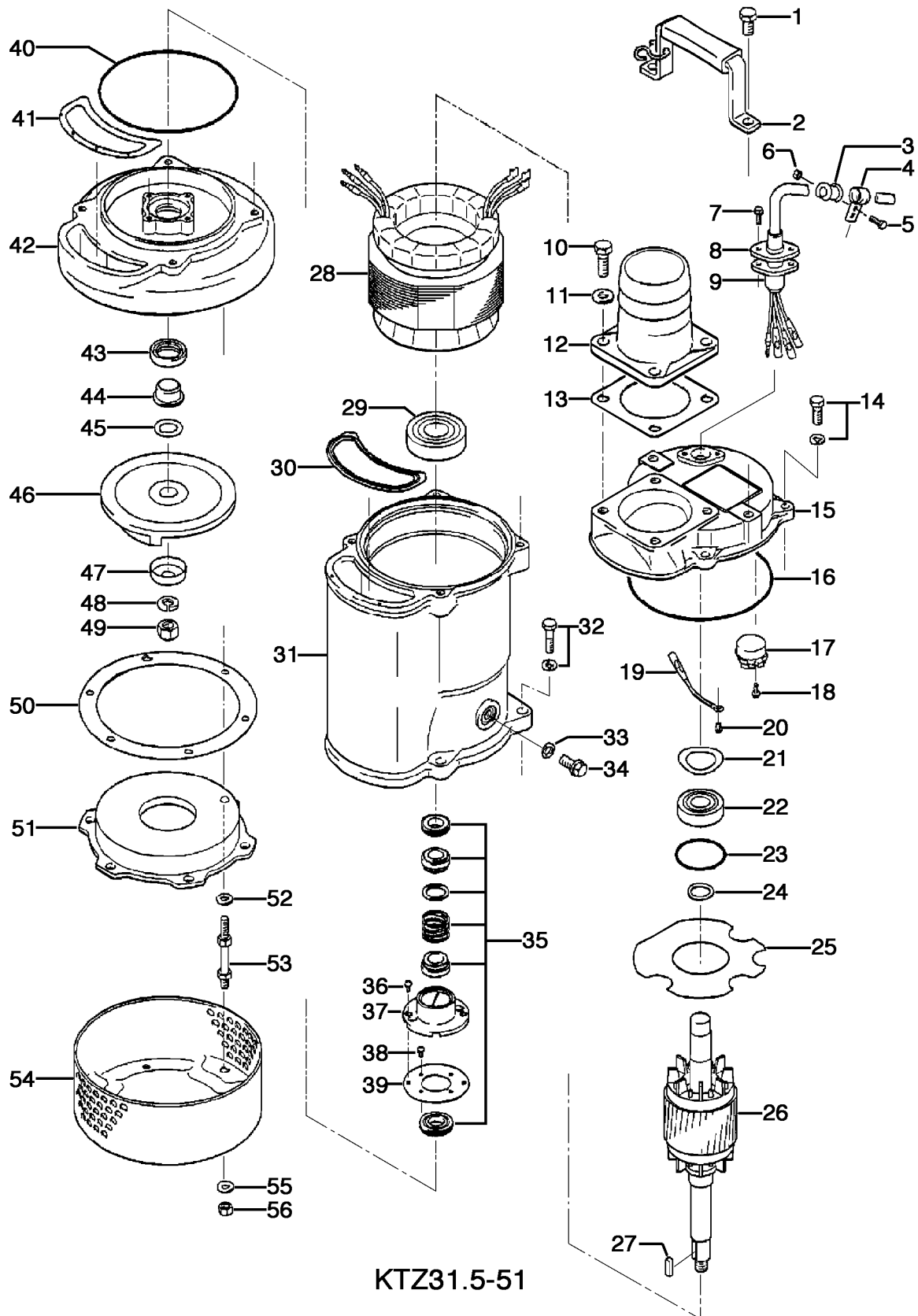
KTZ31.5-51

Kontroll-Nr. --

2019-01-28 V.20 / 1.11.2017

| Pos.no | Item no. | Description | Quant. | UP |
|--------|------------|--|--------|---------------|
| | | Dichtungs-Oring-Satz | 1 | Price on req. |
| 1 | 140-074-15 | Hex.Bolt M10x20 SUS304 | 2 | Price on req. |
| 2 | 068-000-17 | Handle KTZ1.5/2.2-61(USA) SPC+ NBR | 1 | Price on req. |
| 3 | 010-126-17 | Cable Clip Rubber HS2 NBR | 1 | Price on req. |
| 4 | 010-105-10 | Cable Clip SB SPC | 1 | Price on req. |
| 5 | 140-018-37 | Hex.Bolt M5x15 SWRM | 1 | Price on req. |
| 6 | 141-003-58 | Hex.Nut M5 SWRM | 1 | Price on req. |
| 7 | 140-427-17 | Hex.Bolt (w/Plain Washer) M5x15 SUS304 (EN X5CrNi18-10) | 2 | Price on req. |
| 8 | 003-190-10 | Gland SUS316 (EN X5Cr-Ni-Mo17-12-2) | 1 | Price on req. |
| 9 | 001-TEG-31 | Cabtyre Cable Set (20m) H07RN-F4Cx1,5mm ² with gland | 1 | Price on req. |
| 9 | M01-TEG-31 | Cabtyre Cable Set (20m) NSSHOU 4Cx1,5mm ² | 1 | Price on req. |
| | 061-TEG-06 | Cable Repair Kit | 1 | Price on req. |
| 10 | 140-076-59 | Hex.Bolt M10x30 SUS410 (EN X12Cr13) Stainless Steel | 4 | Price on req. |
| 11 | 142-128-11 | Plain Washer M10 Kaltgewalztes Blech | 4 | Price on req. |
| 12 | 032-116-12 | Hose Coupling 80mm(15L) ADC | 1 | Price on req. |
| 12 | 032-435-10 | Hose Coupling (for EUR)KTZ(BSPT-3) FC | 1 | Price on req. |
| 13 | 121-181-17 | Packing KT-15 NBR | 1 | Price on req. |
| 14 | 140-488-16 | Hex.Bolt (w/Spring Washer) M8x30 SUS304 (EN X5Cr18-10) | 4 | Price on req. |
| 15 | 050-421-19 | Motor Bracket FC | 1 | Price on req. |
| 16 | 122-140-17 | O-Ring G-145 NBR | 1 | Price on req. |
| 17 | 053-471-13 | Motor Protector 380-420V-50HZ 380-460V-60HZ KA311-DPWJ78 (T.C) | 1 | Price on req. |
| 18 | 143-126-12 | Pan Screw (w/Spring Washer/Plain Washer) M4x12 SWRM | 2 | Price on req. |
| 19 | 009-292-11 | Earth Terminal 1.25mmx140L | 1 | Price on req. |
| 20 | 143-085-34 | Pan Screw (w/Spring Washer) M4x6 C3604 (EN CuZn39Pb3) | 1 | Price on req. |
| 21 | 142-389-12 | Wave Washer #6204 SK-5 | 1 | Price on req. |
| 22 | 052-187-16 | Bearing (w/O-ring) AC-6204ZZC3 | 1 | Price on req. |
| 23 | 122-293-16 | O-Ring 47xd3.1 NBR | 1 | Price on req. |
| 24 | 061-174-18 | Slinger d20xd27x2t SPC | 1 | Price on req. |
| 25 | 058-000-13 | Lead Wire Protection Plate d61xd136x2t (Resin) | 1 | Price on req. |
| 26 | 055-705-15 | Rotor | 1 | Price on req. |
| 27 | 147-017-11 | Impeller Key 5x5x20l SUS | 1 | Price on req. |
| 28 | 056-001-14 | Stator 380/400/415V-50Hz(EUR) | 1 | Price on req. |
| 29 | 052-108-13 | Bearing 6305ZZC3 | 1 | Price on req. |
| 30 | 121-507-13 | Packing (Water Wav. Upp.) KTZ21.5/32.2 NBR | 1 | Price on req. |
| 31 | 064-000-10 | Motor Frame (FC) | 1 | Price on req. |
| 32 | 140-488-16 | Hex.Bolt (w/Spring Washer) M8x30 SUS304 (EN X5Cr18-10) | 4 | Price on req. |
| 33 | 121-246-11 | Packing (Oil Plug) d10.3xd16x2t PE | 1 | Price on req. |
| 34 | 035-000-01 | Oil PlugM10x16(B=13) EN X5CrNi18-10 | 1 | Price on req. |
| 34 | 035-125-13 | Oil Plug M10x20(B=13) SUS304 (EN X5CrNi18-10) Stainless Steel | 1 | Price on req. |
| 35 | 025-000-99 | Mechanical Seal H-20T SIC | 1 | Price on req. |
| 36 | 143-070-10 | Pan Screw M5x6 SWRM | 2 | Price on req. |
| 37 | 030-144-13 | Oil Lifter H-20(A)(T) Resin | 1 | Price on req. |
| 38 | 143-070-10 | Pan Screw M5x6 SWRM | 4 | Price on req. |
| 39 | 030-154-16 | Seal Stopper H-20T SPCC | 1 | Price on req. |
| 40 | 122-139-13 | O-Ring G-140 NBR | 1 | Price on req. |
| 41 | 121-501-17 | Packing (Water Wav. Low.) KTZ21.5/22.2 NBR | 1 | Price on req. |
| 42 | 020-001-01 | Pump Casing KTZ21.5/32.2 FC | 1 | Price on req. |
| 43 | 026-105-19 | Oil Seal TC-25388 NBR | 1 | Price on req. |
| 44 | 071-314-13 | Shaft Sleeve d20xd25x16l SUS304 (EN X5CrNi18-10) Stainless Steel | 1 | Price on req. |
| 45 | 040-104-25 | Impeller Shim d18.2xd29x0.3t SUS304 (EN X5CrNi18-10) Stainless Steel | 1 | Price on req. |
| 46 | 021-K94-18 | Impeller (50HZ) 50Hz HiCfC | 1 | Price on req. |
| 47 | 047-113-28 | Impeller Thread Protect.Cover No.3A(13.5) SUS304 (EN X5Cr18-10) | 1 | Price on req. |
| 48 | 142-165-10 | Spring Washer M12 SUS304 | 1 | Price on req. |
| 49 | 141-032-14 | Hex.Cap Nut M12 SUS304 | 1 | Price on req. |
| 50 | 120-110-12 | Packing (S.Cover) d150xd186x0.3t PE | 1 | Price on req. |
| 51 | 022-000-53 | Suction Cover KTZ31.5/32.2 (FCD) | 1 | Price on req. |
| 52 | 142-127-23 | Plain Washer M8 SPC | 3 | Price on req. |
| 53 | 144-000-56 | Stud Bolt M8x85(12/30) SUS410 (EN X12Cr13) Stainless Steel | 3 | Price on req. |
| 54 | 023-472-11 | Strainer Stand KTZ21.5/32.2 SPCC | 1 | Price on req. |
| 55 | 142-127-23 | Plain Washer M8 SPC | 3 | Price on req. |
| 56 | 141-005-89 | Hex.Nut M8 SWRM | 3 | Price on req. |
| | 173-513-13 | Packing & O-Ring Set | 1 | Price on req. |
| | ##oilVG32 | ml Turbine Oil ISO VG32 | 740 | Price on req. |

Exploded View KTZ31.5-51



KTZ31.5-51