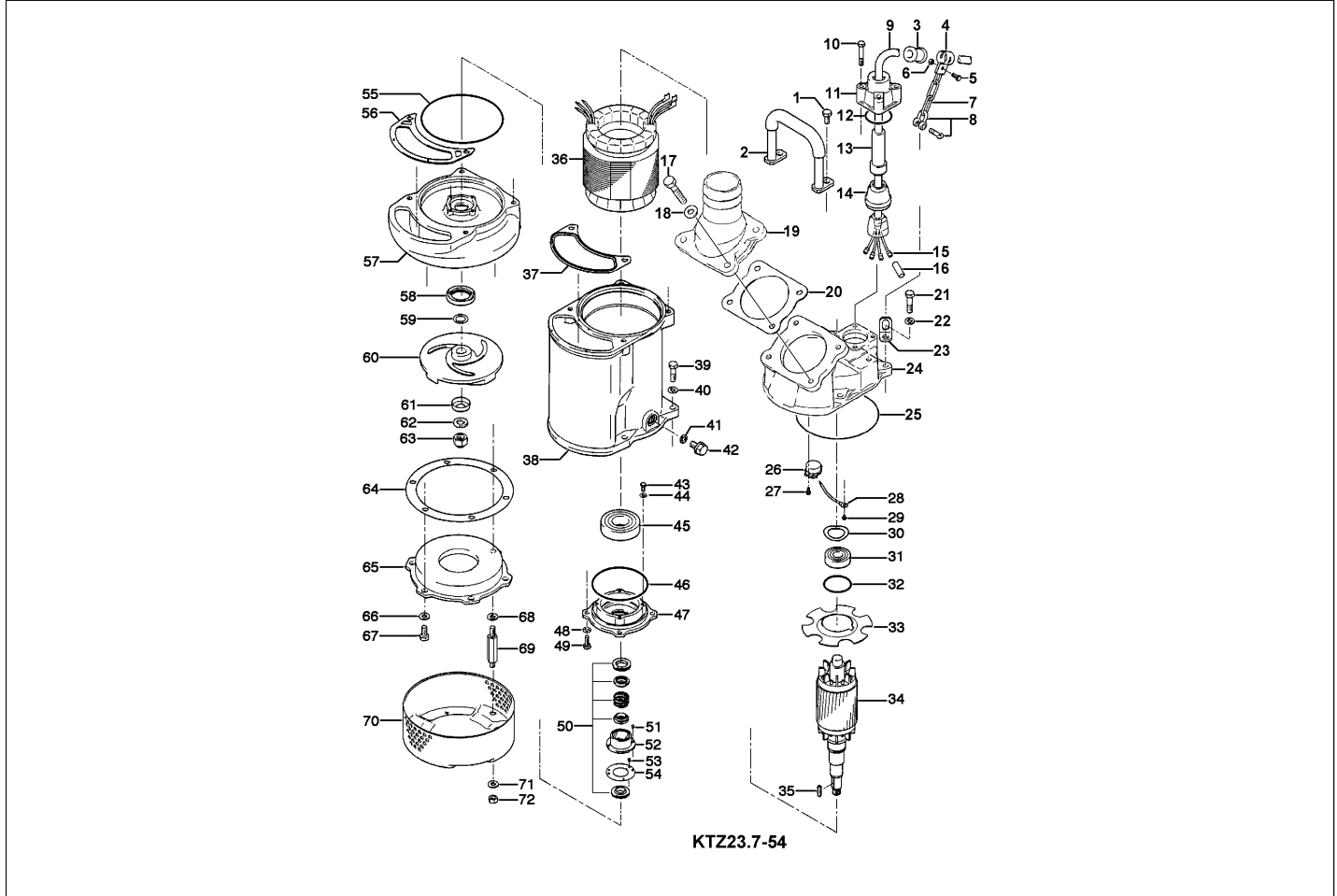


KTZ23.7-54

Kontroll-Nr. --

2024-04-04 V.01.02.2023

Pos.no	Item no.	Description	Qty.	UP / EUR
--------	----------	-------------	------	----------



KTZ23.7-54

1.1.1	173-003-33	Packing & O-Ring Set	1	
1	140-074-15	Hex.Bolt M10x20 SUS304	2	
2	068-000-36	Handle KTZ23.7/45.5 SGP+SS	1	
3	010-124-15	Cable Clip Rubber No.3 NBR	1	
4	010-120-18	Cable Clip No.2-1 SPC	1	Price on req.
5	140-032-37	Hex.Bolt M6x15 SWRM	1	
6	141-004-59	Hex.Nut M6 SWRM	1	
7	095-000-95	Chain 4mm(4L)L=24 SS	1	
8	011-110-11	Shackle 6mm SS	1	
9	001-TEG-02	Cabtyre Cable Set (20m) H07RN-F4Cx2.5mm ² without stuffing box	1	
9	M01-TEG-02	Cabtyre Cable Set (20m) NSSHÖU 4Cx2.5mm ²	1	
10	140-060-18	Hex.Bolt M8x50 SUS304	4	
11	006-167-17	Stuffing Box No.1-3 FC	1	
12	122-121-12	O-Ring G-50 NBR	1	
13	004-167-11	Cable Bush No.1 CR	1	
14	008-156-19	Mould Cover No.1-3 ADC	1	
15	009-126-13	Terminal 1.25mm2/2mm2 Nylon	4	
16	002-135-14	Heat Shrink Tube (Sold per meter) A(d15x0.3t) (V/m)	1	
17	140-000-87	Hex Bolt M10x35(B=14) SUS304	4	
18	142-128-11	Plain Washer M10 Kaltgewalztes Blech	4	
19	032-000-89	Hose Coupling (for EUR) KTZ23.7-53/63(Angle,BSPT-2) FC	1	
19	032-000-82	Hose Coupling KTZ23.7-53/63(Angle) ADC	1	
20	121-001-48	Packing (Hose Coupling) KTZ-3.7/7.5(Angle) NBR	1	
21	140-079-10	Hex.Bolt M10x40 SUS304 (EN X5Cr18-10)	4	
22	142-164-19	Spring Washer M10 SUS304	4	
23	070-117-11	L-Shape Fitting 40x25x4.5t d13Hole SPC	1	
24	050-001-06	Motor Bracket FC	1	
25	122-276-13	O-Ring 160xd3.1 NBR	1	
26	053-000-02	Motor Protector 380V-50Hz(CHN) KA313-GDVL103 (T.C)	1	
27	143-126-12	Pan Screw (w/Spring Washer/Plain Washer) M4x12 SWRM	2	
28	009-293-12	Earth Terminal 2mm2x180l	1	
29	143-085-21	Pan Screw (w/Spring Washer) M4x6 SWRM	1	
30	142-196-10	Wave Washer 6205/6304 SK5	1	
31	052-107-12	Bearing 6304ZC3	1	
32	122-367-12	O-Ring 52xd3.1 NBR	1	
33	058-000-04	Lead Wire Protection Plate d66xd150x1.5t Bakelite	1	
34	055-002-82	Rotor	1	
35	147-026-13	Impeller Key 5x5x25l Stainless Steel	1	
36	056-012-91	Stator 380/400/415V-50Hz	1	
37	121-506-12	Packing (Water Way, Upp.) KTZ23.7/33.7/43.7 NBR	1	

KTZ23.7-54

Kontroll-Nr. --

2024-04-04 V.01.02.2023

Pos.no	Item no.	Description	Qty.	UP / EUR
38	064-000-19	Motor Frame FC	1	
39	140-078-19	Hex.Bolt M10x30 SUS304	4	
40	142-164-19	Spring Washer M10 SUS304	4	
41	121-247-12	Packing d12.3xd18x2t PE	1	
42	140-000-17	Hex.Bolt (w/Flange) M12x15(Oil Plug) SUS304 (EN X5CrNi18-10) Stainless Steel	1	
43	140-000-23	Hex.Bolt (w/Spring Washer) M5x10 SWRM	4	
44	062-000-02	Bearing Cover d5.5xd18x2t SPC	1	Price on req.
45	052-110-18	Bearing 6307ZZC3	1	
46	122-133-17	O-Ring G-110 NBR	1	
47	060-001-76	Bearing Housing FC	1	
48	142-163-34	Spring Washer M8 SWRH	4	
49	140-054-48	Hex.Bolt M8x20 SWRM	4	
50	025-001-00	Mechanical Seal H-25T SiC	1	
51	143-070-23	Pan Screw M5x6 SWRM	2	
52	030-143-12	Oil Lifter H-25(A)(T) Resin	1	
53	143-070-23	Pan Screw M5x6 SWRM	4	
54	030-148-17	Seal Stopper For HT-2530 SPCC	1	
55	122-283-13	O-Ring 165xd3.1 NBR	1	
56	121-124-12	Packing (Water Wav. Low.) KTV-37/55 NBR	1	
57	020-001-02	Pump Casing KTZ23.7/33.7/43.7 FC	1	
58	026-144-49	Oil Seal TC-40588 NBR	1	
59	040-106-27	Impeller Shim d20.2xd30x0.3t SUS304 (EN X5CrNi18-10) Stainless Steel	1	
60	021-L14-15	Impeller (50Hz) HiCrFC	1	
61	047-104-26	Impeller Thread Protect.Cover No.3B(18) SUS304 (EN X5CrNi18-10) Stainless Steel	1	
62	142-166-11	Spring Washer M16 SUS304	1	
63	141-033-15	Hex.Cap Nut M16 SUS304 (EN X5Cr18-10)	1	
64	120-109-21	Packing (S.Cover) d180xd220x0.3t PE	1	
65	022-000-54	Suction Cover KTZ23.7-52 (FCD)	1	
66	142-128-11	Plain Washer M10 Kaltgewalztes Blech	3	
67	140-074-15	Hex.Bolt M10x20 SUS304	3	
68	142-128-11	Plain Washer M10 Kaltgewalztes Blech	3	
69	144-000-31	Stud Bolt M10x94(20/14) DIN 1.4006 (EN X12Cr13) Edelstahl	3	
70	023-471-10	Strainer Stand KTZ23.7/45.5 SPCC	1	
71	142-128-11	Plain Washer M10 Kaltgewalztes Blech	3	
72	141-006-77	Hex.Nut M10 S45C	3	
	173-003-33	Packing & O-Ring Set	1	
	183-008-11	Impeller Puller A Typ No.3 1	1	
	##oilVG32	ml Turbine Oil ISO VG32	1250	Price on req.