

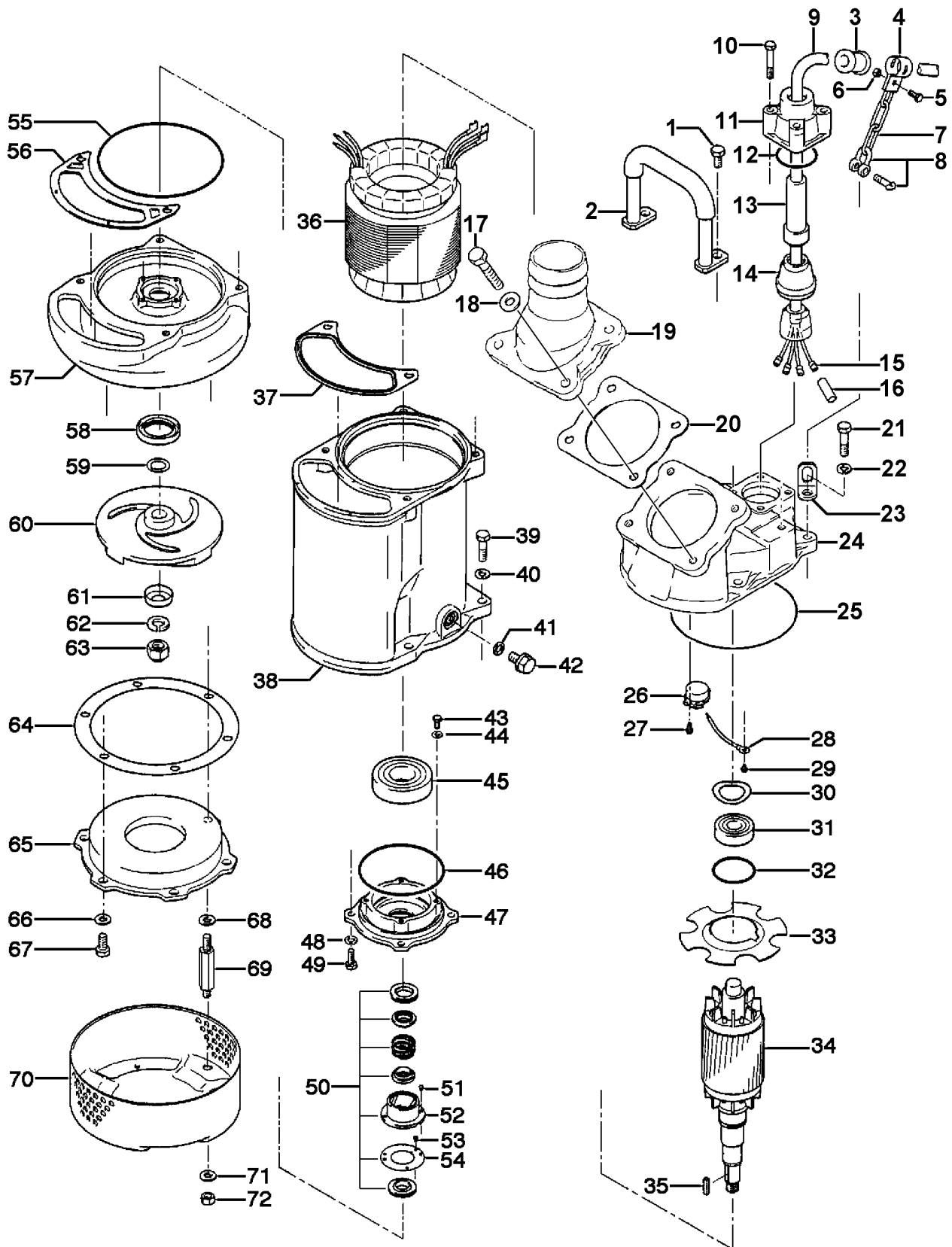
**KTZ23.7-53**

Kontroll-Nr. --

2019-02-04 V.01.02.2019

| Pos.no | Item no.   | Description   | Quant. | UP            |
|--------|------------|---|--------|---------------|
| 1      | 140-074-15 | Dichtungs-Oring-Satz  | 1      | Price on req. |
| 2      | 068-000-36 | Hex.Bolt M10x20 SUS304  | 2      | Price on req. |
| 3      | 010-124-15 | Handle KTZ23.7/45.5 SGP+SS  | 1      | Price on req. |
| 4      | 010-120-18 | Cable Clip Rubber No.3 NBR  | 1      | Price on req. |
| 5      | 140-032-37 | Cable Clip No.2-1 SPC   | 1      | Price on req. |
| 6      | 141-004-59 | Hex.Bolt M6x15 SWRM   | 1      | Price on req. |
| 7      | 095-131-18 | Hex.Nut M6 SWRM   | 1      | Price on req. |
| 8      | 011-110-11 | Chain 4mm(3L) SS  | 1      | Price on req. |
| 9      | 001-TEG-02 | Shackle 6mm SS  | 1      | Price on req. |
| 9      | M01-TEG-02 | Cabtyre Cable Set (20m) H07RN-F4Cx2,5mm <sup>2</sup> without stuffing box       | 1      | Price on req. |
| 10     | 140-060-18 | Cabtyre Cable Set (20m) NSSHOU 4Cx2,5mm <sup>2</sup>                            | 1      | Price on req. |
| 11     | 006-167-17 | Hex.Bolt M8x50 SUS304   | 4      | Price on req. |
| 12     | 122-121-12 | Stuffing Box No.1-3 FC  | 1      | Price on req. |
| 13     | 004-167-11 | O-Ring G-50 NBR   | 1      | Price on req. |
| 14     | 008-156-19 | Cable Bush No.1 CR  | 1      | Price on req. |
| 15     | 009-126-13 | Mould Cover No.1-3 ADC  | 1      | Price on req. |
| 16     | 002-135-14 | Terminal 1.25mm2/2mm2 Nylon   | 4      | Price on req. |
| 17     | 140-000-87 | Heat Shrink Tube (Sold per meter) A(d15x0.3t) (Vm)                              | 1      | Price on req. |
| 18     | 142-128-11 | Hex.Bolt M10x35(B=14) SUS304 (EN-X5CrNi18-10)                                   | 4      | Price on req. |
| 19     | 032-000-89 | Plain Washer M10 Kaltgewalztes Blech  | 4      | Price on req. |
| 19     | 032-000-82 | Hose Coupling (for EUR) KTZ23.7-53/63(Angle,BSPT-2) FC                          | 1      | Price on req. |
| 20     | 121-001-48 | Hose Coupling KTZ23.7-53/63(Angle) ADC  | 1      | Price on req. |
| 21     | 140-079-10 | Packing (Hose Coupling) KTZ-3.7/7.5(Angle) NBR                                  | 1      | Price on req. |
| 22     | 142-164-19 | Hex.Bolt M10x40 SUS304 (EN X5Cr18-10)   | 4      | Price on req. |
| 23     | 070-117-11 | Spring Washer M10 SUS304  | 4      | Price on req. |
| 24     | 050-001-06 | L-Shape Fitting 40x25x4.5t d13Hole SPC  | 1      | Price on req. |
| 25     | 122-276-13 | Motor Bracket FC  | 1      | Price on req. |
| 26     | 053-000-02 | O-Ring 160xd3.1 NBR   | 1      | Price on req. |
| 27     | 143-126-12 | Motor Protector 380V-50Hz(CHN) KA313-GDVL103 (T.C)                              | 1      | Price on req. |
| 28     | 009-293-12 | Pan Screw (w/Spring Washer/Plain Washer) M4x12 SWRM                             | 2      | Price on req. |
| 29     | 143-085-21 | Earth Terminal 2mm2x180l  | 1      | Price on req. |
| 30     | 142-196-10 | Pan Screw (w/Spring Washer) M4x6 SWRM   | 1      | Price on req. |
| 31     | 052-107-12 | Wave Washer 6205/6304 SK5   | 1      | Price on req. |
| 32     | 122-367-12 | Bearing 6304ZZC3  | 1      | Price on req. |
| 33     | 058-000-04 | O-Ring 52xd3.1 NBR  | 1      | Price on req. |
| 34     | 055-002-82 | Lead Wire Protection Plate d66xd150x1.5t Bakelite                               | 1      | Price on req. |
| 35     | 147-026-13 | Rotor   | 1      | Price on req. |
| 36     | 056-001-29 | Impeller Key 5x5x25l Stainless Steel  | 1      | Price on req. |
| 37     | 121-506-12 | Stator 380/400/415V-50Hz  | 1      | Price on req. |
| 38     | 064-000-19 | Packing (Water Way, Upp.) KTZ23.7/33.7/43.7 NBR                                 | 1      | Price on req. |
| 39     | 140-078-19 | Motor Frame FC  | 1      | Price on req. |
| 40     | 142-164-19 | Hex.Bolt M10x30 SUS304  | 4      | Price on req. |
| 41     | 121-247-12 | Spring Washer M10 SUS304  | 4      | Price on req. |
| 42     | 140-000-17 | Packing d12.3xd18x2t PE   | 1      | Price on req. |
| 43     | 140-000-23 | Hex.Bolt (w/Flange) M12x15(Oil Plug) SUS304 (EN X5CrNi18-10) Stainless Steel    | 1      | Price on req. |
| 44     | 062-000-02 | Hex.Bolt (w/Spring Washer) M5x10 SWRM   | 4      | Price on req. |
| 45     | 052-110-18 | Bearing Cover d5.5xd18x2t SPC   | 4      | Price on req. |
| 46     | 122-133-17 | Bearing 6307ZZC3  | 1      | Price on req. |
| 47     | 060-001-76 | O-Ring G-110 NBR  | 1      | Price on req. |
| 48     | 142-163-34 | Bearing Housing FC  | 1      | Price on req. |
| 49     | 140-054-48 | Spring Washer M8 SWRH   | 4      | Price on req. |
| 50     | 025-001-00 | Hex.Bolt M8x20 SWRM   | 4      | Price on req. |
| 51     | 143-070-23 | Mechanical Seal H-25T SiC   | 1      | Price on req. |
| 52     | 030-143-12 | Pan Screw M5x6 SWRM   | 2      | Price on req. |
| 53     | 143-070-10 | Oil Lifter H-25(A)(T) Resin   | 1      | Price on req. |
| 54     | 030-148-17 | Pan Screw M5x6 SWRM   | 4      | Price on req. |
| 55     | 122-283-13 | Seal Stopper For HT-2530 SPCC   | 1      | Price on req. |
| 56     | 121-124-12 | O-Ring 165xd3.1 NBR   | 1      | Price on req. |
| 57     | 020-001-02 | Packing (Water Way, Low.) KTV-37/55 NBR   | 1      | Price on req. |
| 58     | 026-144-49 | Pump Casing KTZ23.7/33.7/43.7 FC  | 1      | Price on req. |
| 59     | 040-106-27 | Oil Seal TC-40588 NBR   | 1      | Price on req. |
| 60     | 021-L14-15 | Impeller Shim d20.2xd30x0.3t SUS304 (EN X5CrNi18-10) Stainless Steel            | 1      | Price on req. |
| 61     | 047-104-26 | Impeller (50Hz) 50Hz HiCrFC   | 1      | Price on req. |
| 62     | 142-166-11 | Impeller Thread Protect.Cover No.3B(18) SUS304 (EN X5CrNi18-10) Stainless Steel | 1      | Price on req. |
| 63     | 141-033-15 | Spring Washer M16 SUS304  | 1      | Price on req. |
| 64     | 120-109-21 | Hex.Cap Nut M16 SUS304 (EN X5Cr18-10)   | 1      | Price on req. |
| 65     | 022-000-54 | Packing (S.Cover) d180xd220x0.3t PE   | 1      | Price on req. |
| 66     | 142-128-11 | Suction Cover KTZ23.7-52 (FCD)  | 1      | Price on req. |
| 67     | 140-074-15 | Plain Washer M10 Kaltgewalztes Blech  | 3      | Price on req. |
| 68     | 142-128-11 | Hex.Bolt M10x20 SUS304  | 3      | Price on req. |
| 69     | 144-000-31 | Plain Washer M10 Kaltgewalztes Blech  | 3      | Price on req. |
| 70     | 023-471-10 | Stud Bolt M10x94(20/14) DIN 1.4006 (EN X12Cr13) Edelstahl                       | 3      | Price on req. |
| 71     | 142-128-11 | Strainer Stand KTZ23.7/45.5 SPCC  | 1      | Price on req. |
| 72     | 141-006-77 | Plain Washer M10 Kaltgewalztes Blech  | 3      | Price on req. |
|        | 173-003-33 | Hex.Nut M10 S45C  | 3      | Price on req. |
|        | 183-008-11 | Packing & O-Ring Set  | 1      | Price on req. |
|        | ##oilVG32  | Impeller Puller A Typ No.3 1  | 1      | Price on req. |
|        |            | ml Turbine Oil ISO VG32   | 1250   | Price on req. |

# Exploded View KTZ23.7-53



KTZ23.7-53