

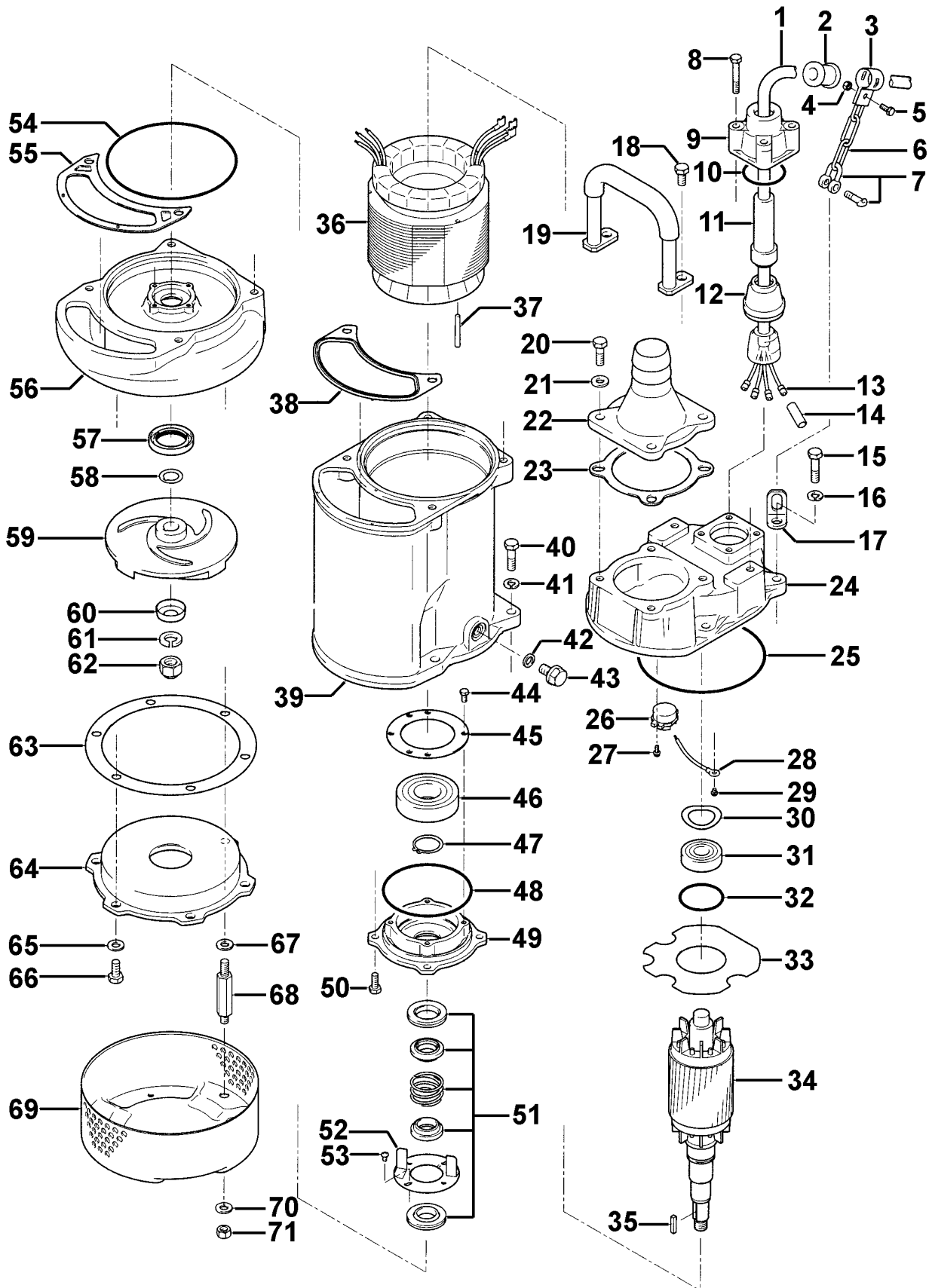
KTZ23.7-50

Kontroll-Nr. --

2019-01-28 V.20 / 1.11.2017

Pos.no	Item no.	Description	Quant.	UP
		Dichtungs-Oring-Satz	1	Price on req.
1	001-TEG-02	Cabtyre Cable Set (20m) H07RN-F4Cx2,5mm ² without stuffing box	1	Price on req.
	M01-TEG-02	Cabtyre Cable Set (20m) NSSHÖU 4Cx2,5mm ²	1	Price on req.
2	010-124-15	Cable Clip Rubber No.3 NBR	1	Price on req.
2	010-151-11	Cable Clip Rubber 220/230/240V-50Hz(EUR) No.4 NBR	1	Price on req.
3	010-120-18	Cable Clip No.2-1 SPC	1	Price on req.
4	141-004-33	Hex.Nut M6 SWRM	1	Price on req.
5	140-032-37	Hex.Bolt M6x15 SWRM	1	Price on req.
6	095-131-18	Chain 4mm(3L) SS	1	Price on req.
7	011-110-11	Shackle 6mm SS	1	Price on req.
8	140-060-18	Hex.Bolt M8x50 SUS304	4	Price on req.
9	006-167-17	Stuffing Box No.1-3 FC	1	Price on req.
10	122-121-12	O-Ring G-50 NBR	1	Price on req.
11	004-167-11	Cable Bush No.1 CR	1	Price on req.
12	008-156-19	Mould Cover No.1-3 ADC	1	Price on req.
13	009-126-13	Terminal 1.25mm2/2mm2 Nylon	4	Price on req.
14	002-135-14	Heat Shrink Tube (Sold per meter) A(d15x0.3t) (V/m)	1	Price on req.
15	140-079-10	Hex.Bolt M10x40 SUS304 (EN X5Cr18-10)	4	Price on req.
16	142-164-19	Spring Washer M10 SUS304	4	Price on req.
17	070-117-11	L-Shape Fitting 40x25x4.5t d13Hole SPC	1	Price on req.
18	140-074-15	Hex.Bolt M10x20 SUS304	2	Price on req.
19	068-000-36	Handle KTZ23.7/45.5 SGP+SS	1	Price on req.
20	140-076-59	Hex.Bolt M10x30 SUS410 (EN X12Cr13) Stainless Steel	4	Price on req.
21	142-128-11	Plain Washer M10 Kaltgewalztes Blech	4	Price on req.
22	032-151-19	Hose Coupling 50mm(GH Type) ADC	1	Price on req.
22	032-436-11	Hose Coupling (for EUR)KTV(BSPT-2) FC	1	Price on req.
23	121-141-15	Packing KRB-3/4 Type NR	1	Price on req.
24	050-419-14	Motor Bracket FC	1	Price on req.
25	122-276-13	O-Ring 160xd3.1 NBR	1	Price on req.
26	053-469-18	Motor Protector 380V-50HZ KA313-GCTL103 (T.C)	1	Price on req.
27	143-126-12	Pan Screw (w/Spring Washer/Plain Washer) M4x12 SWRM	2	Price on req.
28	009-293-12	Earth Terminal 2mm2x180l	1	Price on req.
29	143-085-34	Pan Screw (w/Spring Washer) M4x6 C3604 (EN CuZn39Pb3)	1	Price on req.
30	142-196-10	Wave Washer 6205/6304 SK5	1	Price on req.
31	052-107-12	Bearing 6304ZZC3	1	Price on req.
32	122-367-12	O-Ring 52xd3.1 NBR	1	Price on req.
33	058-177-11	Lead Wire Protection Plate d66xd152x1.5t Bakelite	1	Price on req.
34	055-707-17	Rotor	1	Price on req.
35	147-026-13	Impeller Key 5x5x25l Stainless Steel	1	Price on req.
36	056-909-14	Stator 440V/60HZ	1	Price on req.
36	056-945-12	Stator 380V	1	Price on req.
37	145-022-13	Taper Pin d6x40 S45C	1	Price on req.
38	121-506-12	Packing (Water Wav. Upd.) KTZ23.7/33.7/43.7 NBR	1	Price on req.
39	064-490-12	Motor Frame FC	1	Price on req.
40	140-078-19	Hex.Bolt M10x30 SUS304	4	Price on req.
41	142-164-19	Spring Washer M10 SUS304	4	Price on req.
42	121-247-12	Packing d12.3xd18x2t PE	1	Price on req.
43	140-000-17	Hex.Bolt (w/Flange) M12x15(Oil Plug) SUS304 (EN X5CrNi18-10) Stainless Steel	1	Price on req.
44	140-030-35	Hex.Bolt M6x12 SWRM	4	Price on req.
45	062-219-19	Bearing Cover d70xd105x2.3t SPCC	1	Price on req.
46	052-110-18	Bearing 6307ZZC3	1	Price on req.
47	146-022-16	Retaining Ring C35 SK5	1	Price on req.
48	122-133-17	O-Ring G-110 NBR	1	Price on req.
49	060-411-17	Bearing Housing FC	1	Price on req.
50	140-054-48	Hex.Bolt M8x20 SWRM	4	Price on req.
51	025-001-21	Mechanical Seal HT-2530N SIC	1	Price on req.
52, 53	143-070-23	Pan Screw M5x6 SWRM	2	Price on req.
52, 53	030-139-15	Oil Lifter For HT-2530 Resin	1	Price on req.
52, 53	143-070-10	Pan Screw M5x6 SWRM	4	Price on req.
52, 53	030-148-17	Seal Stopper For HT-2530 SPCC	1	Price on req.
54	122-283-13	O-Ring 165xd3.1 NBR	1	Price on req.
55	121-124-12	Packing (Water Way, Low.) KTV-37/55 NBR	1	Price on req.
56	020-001-02	Pump Casing KTZ23.7/33.7/43.7 FC	1	Price on req.
57	026-144-49	Oil Seal TC-40588 NBR	1	Price on req.
58	040-106-27	Impeller Shim d20.2xd30x0.3t SUS304 (EN X5CrNi18-10) Stainless Steel	1	Price on req.
59	021-L14-15	Impeller (50Hz) 50Hz HiCrFC	1	Price on req.
60	047-104-26	Impeller Thread Protect.Cover No.3B(18) SUS304 (EN X5CrNi18-10) Stainless Steel	1	Price on req.
61	142-166-11	Spring Washer M16 SUS304	1	Price on req.
62	141-033-15	Hex.Cap Nut M16 SUS304 (EN X5Cr18-10)	1	Price on req.
63	120-109-21	Packing (S.Cover) d180xd220x0.3t PE	1	Price on req.
64	022-000-54	Suction Cover KTZ23.7-52 (FCD)	1	Price on req.
65	142-128-11	Plain Washer M10 Kaltgewalztes Blech	3	Price on req.
66	140-074-15	Hex.Bolt M10x20 SUS304	3	Price on req.
67	142-128-11	Plain Washer M10 Kaltgewalztes Blech	3	Price on req.
68	144-000-31	Stud Bolt M10x94(20/14) DIN 1.4006 (EN X12Cr13) Edelstahl	3	Price on req.
69	023-471-10	Strainer Stand KTZ23.7/45.5 SPCC	1	Price on req.
70	142-128-11	Plain Washer M10 Kaltgewalztes Blech	3	Price on req.
71	141-006-77	Hex.Nut M10 S45C	3	Price on req.
	173-514-14	Packing & O-Ring Set	1	Price on req.
	##oilVG32	ml Turbine Oil ISO VG32	960	Price on req.

Exploded View KTZ23.7-50



KTZ23.7-50