

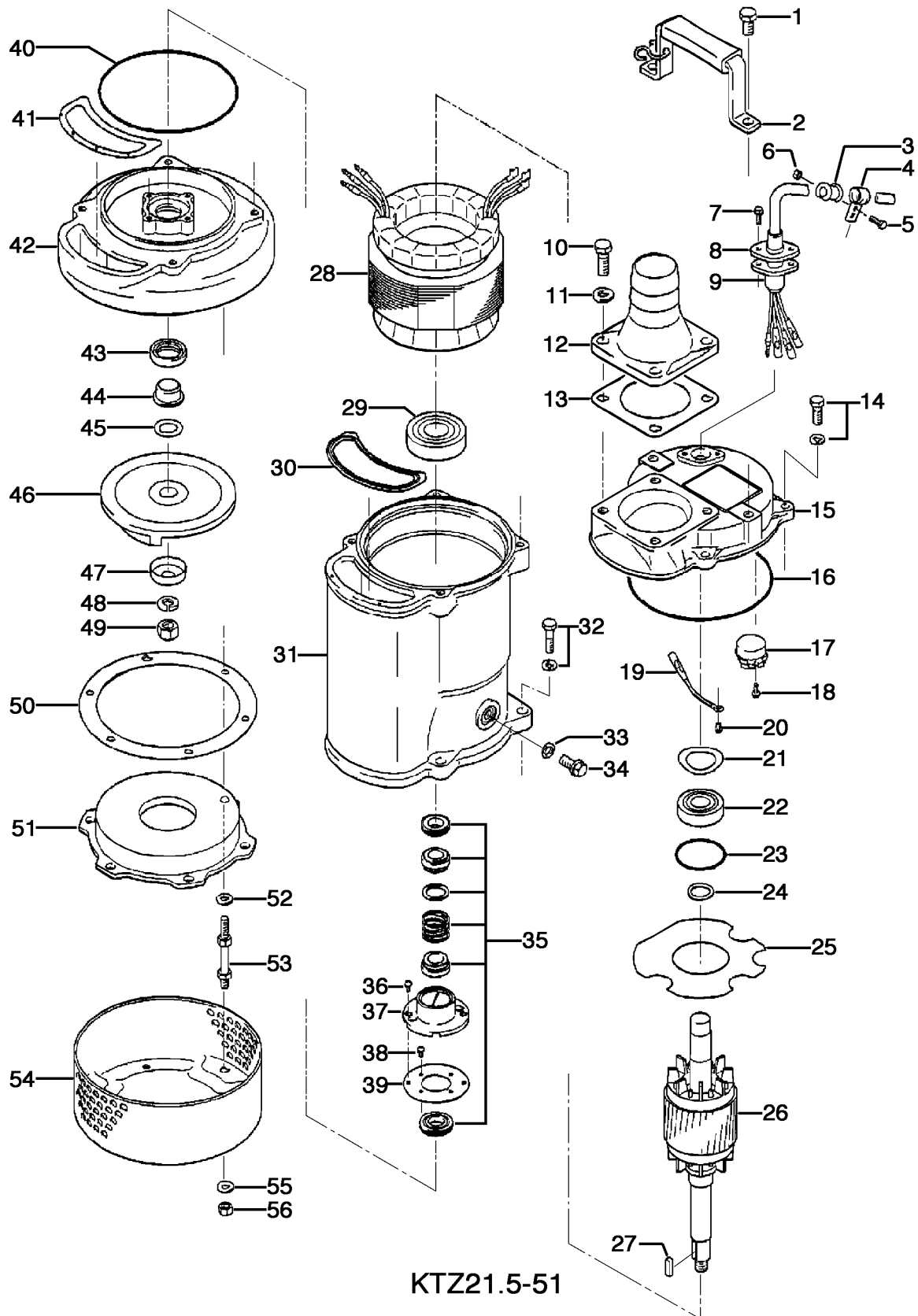
KTZ21.5-51

Kontroll-Nr. --

2019-01-28 V.20 / 1.11.2017

Pos.no	Item no.	Description	Quant.	UP
		Dichtungs-Oring-Satz	1	Price on req.
1	140-074-15	Hex.Bolt M10x20 SUS304	2	Price on req.
2	068-000-17	Handle KTZ1.5/2.2-61(USA) SPC+ NBR	1	Price on req.
3	010-126-17	Cable Clip Rubber HS2 NBR	1	Price on req.
4	010-105-10	Cable Clip SB SPC	1	Price on req.
5	140-018-37	Hex.Bolt M5x15 SWRM	1	Price on req.
6	141-003-58	Hex.Nut M5 SWRM	1	Price on req.
7	140-427-17	Hex.Bolt (w/Plain Washer) M5x15 SUS304 (EN X5CrNi18-10)	2	Price on req.
8	003-190-10	Gland SUS316 (EN X5Cr-Ni-Mo17-12-2)	1	Price on req.
9	001-TEG-31	Cabtyre Cable Set (20m) H07RN-F4Cx1,5mm ² with gland	1	Price on req.
9	M01-TEG-31	Cabtyre Cable Set (20m) NSSHOÜ 4Cx1,5mm ²	1	Price on req.
9	061-TEG-06	Cable Repair Kit	1	Price on req.
10	140-076-59	Hex.Bolt M10x30 SUS410 (EN X12Cr13) Stainless Steel	4	Price on req.
11	142-128-11	Plain Washer M10 Kaltgewalztes Blech	4	Price on req.
12	032-111-17	Hose Coupling 50mm(15H) ADC	1	Price on req.
12	032-434-19	Hose Coupling (for EUR)KTZ(BSPT-2) FC	1	Price on req.
13	121-181-17	Packing KT-15 NBR	1	Price on req.
14	140-488-16	Hex.Bolt (w/Spring Washer) M8x30 SUS304 (EN X5Cr18-10)	4	Price on req.
15	050-421-19	Motor Bracket FC	1	Price on req.
16	122-140-17	O-Ring G-145 NBR	1	Price on req.
17	053-000-02	Motor Protector 380V-50Hz(CHN) KA313-GDVL103 (T.C)	1	Price on req.
18	143-126-12	Pan Screw (w/Spring Washer/Plain Washer) M4x12 SWRM	2	Price on req.
19	009-292-11	Earth Terminal 1.25mmx140L	1	Price on req.
20	143-085-34	Pan Screw (w/Spring Washer) M4x6 C3604 (EN CuZn39Pb3)	1	Price on req.
21	142-389-12	Wave Washer #6204 SK-5	1	Price on req.
22	052-187-16	Bearing (w/O-ring) AC-6204ZZC3	1	Price on req.
23	122-293-16	O-Ring 47xd3.1 NBR	1	Price on req.
24	061-174-18	Slinger d20xd27x2t SPC	1	Price on req.
25	058-000-13	Lead Wire Protection Plate d61xd136x2t (Resin)	1	Price on req.
26	055-705-15	Rotor	1	Price on req.
27	147-017-11	Impeller Key 5x5x20l SUS	1	Price on req.
28	056-001-14	Stator 380/400/415V-50Hz(EUR)	1	Price on req.
29	052-108-13	Bearing 6305ZZC3	1	Price on req.
30	121-507-13	Packing (Water Wav. Upp.) KTZ21.5/32.2 NBR	1	Price on req.
31	064-000-10	Motor Frame (FC)	1	Price on req.
32	140-488-16	Hex.Bolt (w/Spring Washer) M8x30 SUS304 (EN X5Cr18-10)	4	Price on req.
33	121-246-11	Packing (Oil Plug) d10.3xd16x2t PE	1	Price on req.
34	035-000-01	Oil PlugM10x16(B=13) EN X5CrNi18-10	1	Price on req.
34	035-125-13	Oil Plug M10x20(B=13) SUS304 (EN X5CrNi18-10) Stainless Steel	1	Price on req.
35	025-000-99	Mechanical Seal H-20T SIC	1	Price on req.
36	143-070-10	Pan Screw M5x6 SWRM	2	Price on req.
37	030-144-13	Oil Lifter H-20(A)(T) Resin	1	Price on req.
38	143-070-10	Pan Screw M5x6 SWRM	4	Price on req.
39	030-154-16	Seal Stopper H-20T SPCC	1	Price on req.
40	122-139-13	O-Ring G-140 NBR	1	Price on req.
41	121-501-17	Packing (Water Wav. Low.) KTZ21.5/22.2 NBR	1	Price on req.
42	020-001-01	Pump Casing KTZ21.5/32.2 FC	2	Price on req.
43	026-105-19	Oil Seal TC-25388 NBR	2	Price on req.
44	071-314-13	Shaft Sleeve d20xd25x16l SUS304 (EN X5CrNi18-10) Stainless Steel	1	Price on req.
45	040-104-25	Impeller Shim d18.2xd29x0.3t SUS304 (EN X5CrNi18-10) Stainless Steel	1	Price on req.
46	021-554-12	Impeller (50HZ) 15H/50Hz HiCrFC	1	Price on req.
47	047-113-28	Impeller Thread Protect.Cover No.3A(13.5) SUS304 (EN X5Cr18-10)	1	Price on req.
48	142-165-10	Spring Washer M12 SUS304	1	Price on req.
49	141-032-14	Hex.Cap Nut M12 SUS304	1	Price on req.
50	120-110-12	Packing (S.Cover) d150xd186x0.3t PE	1	Price on req.
51	022-000-52	Suction Cover KTZ21.5/22.5 (FCD)	2	Price on req.
52	142-127-23	Plain Washer M8 SPC	3	Price on req.
53	144-000-56	Stud Bolt M8x85(12/30) SUS410 (EN X12Cr13) Stainless Steel	3	Price on req.
54	023-472-11	Strainer Stand KTZ21.5/32.2 SPCC	1	Price on req.
55	142-127-23	Plain Washer M8 SPC	3	Price on req.
56	141-005-89	Hex.Nut M8 SWRM	3	Price on req.
	173-513-13	Packing & O-Ring Set	1	Price on req.
	##oilVG32	ml Turbine Oil ISO VG32	740	Price on req.

Exploded View KTZ21.5-51



KTZ21.5-51