

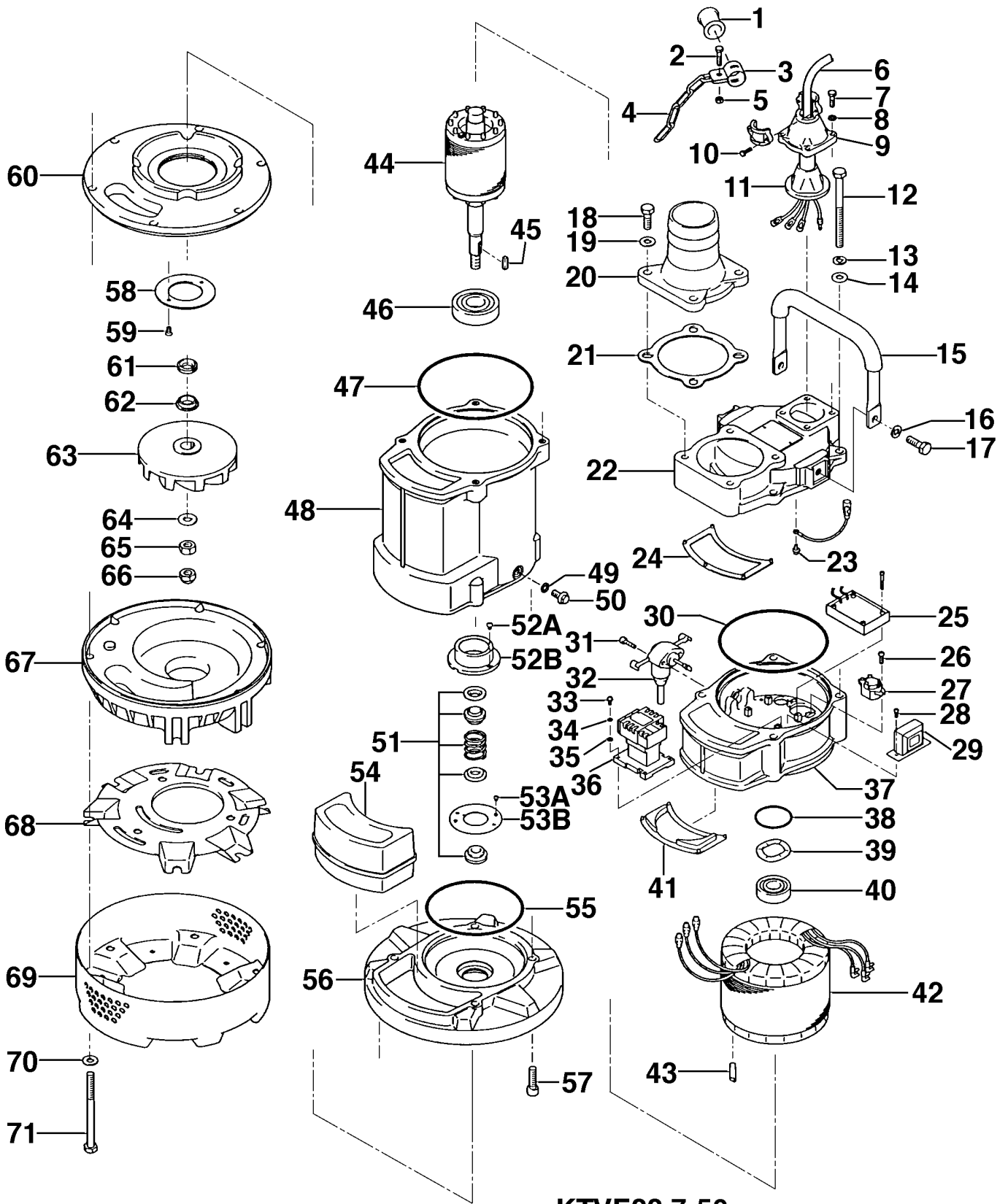
KTVE33.7-50

Kontroll-Nr. --

2019-01-28 V.20 / 1.11.2017

Pos.no	Item no.	Description	Quant.	UP
		Dichtungs-Oring-Satz	1	Price on req.
1	010-124-15	Cable Clip Rubber No.3 NBR	1	Price on req.
2	140-032-37	Hex.Bolt M6x15 SWRM	1	Price on req.
3	010-120-18	Cable Clip No.2-1 SPC	1	Price on req.
4	095-131-18	Chain 4mm(3L) SS	1	Price on req.
5	141-004-33	Hex.Nut M6 SWRM	1	Price on req.
6	001-TEG-01	Cabtyre Cable Set (20m) H07RN-F4Cx2,5mm ² without stuffing box	1	Price on req.
6	M01-TEG-01	Cabtyre Cable Set (20m) NSSHÖU 4Cx2,5mm ²	1	Price on req.
7	140-418-15	Hex.Bolt M8x25(B=12) SUS304 (EN X5CrNi18-10) Stainless Steel	4	Price on req.
8	142-210-11	Plain Washer d8.6xd13.4x1t SUS304 (EN X5CrNi18-10) Stainless Steel	4	Price on req.
9	003-122-24	Stuffing Box No.1-1(w/Clamp) ADC	1	Price on req.
10	140-033-12	Hex.Bolt M6x16 SUS304 (EN X5CrNi18-10) Stainless Steel	2	Price on req.
11	008-133-10	Mould Cover No.1-9 CR	1	Price on req.
12	140-092-19	Hex.Bolt M10x110 SUS304 (EN X5CrNi18-10) Stainless Steel	4	Price on req.
13	142-164-19	Spring Washer M10 SUS304	4	Price on req.
14	142-128-11	Plain Washer M10 Kaltgewalztes Blech	4	Price on req.
15	068-000-20	Handle KTV2-80 (SPG + NBR)	1	Price on req.
16	142-164-19	Spring Washer M10 SUS304	2	Price on req.
17	140-074-15	Hex.Bolt M10x20 SUS304	2	Price on req.
18	140-076-59	Hex.Bolt M10x30 SUS410 (EN X12Cr13) Stainless Steel	4	Price on req.
19	142-128-11	Plain Washer M10 Kaltgewalztes Blech	4	Price on req.
20	032-437-12	Hose Couplind (for EUR)KTV(BSPT-3) FC	2	Price on req.
21	121-141-15	Packing KRB-3/4 Type NR	1	Price on req.
22	051-258-16	Motor Head Cover ADC	1	Price on req.
23	143-085-34	Pan Screw (w/Spring Washer) M4x6 C3604 (EN CuZn39Pb3)	1	Price on req.
24	121-449-16	Packing (Water Way, Upp.) KTV2-37 NBR	1	Price on req.
25	114-000-89	Relay Unit MEOK1-KA1(KTVE)	1	Price on req.
26	143-136-15	Truss Screw M4x10 SWRM	2	Price on req.
27	053-422-19	Motor Protector 380V-60HZ KA313-GBXL103 (T.C)	1	Price on req.
28	143-169-17	Truss Screw M3x8 SWRM	2	Price on req.
29	115-149-14	Transformer 380/400/415V-50HzEK400/20	1	Price on req.
30	122-298-11	O-Ring 160xd3.8 NBR	1	Price on req.
31	140-427-17	Hex.Bolt (w/Plain Washer) M5x15 SUS304 (EN X5CrNi18-10)	2	Price on req.
32	090-000-43	Electrode Level Sensor EK-2CR	1	Price on req.
33	143-019-11	Pan Screw M4x16 SWRM	2	Price on req.
34	142-160-31	Spring Washer M4 SWRH	2	Price on req.
35	142-124-20	Plain Washer M4 SPC	2	Price on req.
36	114-168-16	Electromagnetic Contactor SD-M19/SD-Q19	1	Price on req.
37	050-457-14	Motor Bracket ADC	1	Price on req.
38	122-367-12	O-Ring 52xd3.1 NBR	1	Price on req.
39	142-196-10	Wave Washer 6205/6304 SK5	1	Price on req.
40	052-107-12	Bearing 6304ZZC3	1	Price on req.
41	121-558-19	Packing (Water Wav. Mid.) KTVE33.7-50/60 NBR	1	Price on req.
42	056-001-99	Stator	1	Price on req.
43	145-029-10	Stator Set Pin d8x30 S45C	1	Price on req.
44	055-667-14	Rotor w/Bearing	1	Price on req.
45	147-073-15	Impeller Key 5x5x22! Stainless Steel	1	Price on req.
46	052-109-14	Bearing 6306ZZC3	1	Price on req.
47	122-298-11	O-Ring 160xd3.8 NBR	1	Price on req.
48	064-000-80	Motor Frame KTV2-80 (ADC)	1	Price on req.
49	121-246-11	Packing (Oil Plug) d10.3xd16x2t PE	1	Price on req.
50	035-000-01	Oil PlugM10x16(B=13) EN X5CrNi18-10	1	Price on req.
51	025-001-00	Mechanical Seal H-25T SiC	1	Price on req.
52A	143-070-10	Pan Screw M5x6 SWRM	2	Price on req.
52B	030-143-12	Oil Lifter H-25(A)(T) Resin	1	Price on req.
53A	143-070-10	Pan Screw M5x6 SWRM	2	Price on req.
53B	030-152-14	Seal Stopper H-25(A)(T) SPCC	1	Price on req.
54	121-001-03	Packing (Water Wav. Low.)KTV2-37 SBR	1	Price on req.
55	122-139-13	O-Ring G-140 NBR	1	Price on req.
56	029-000-78	Oil Casing KTV2-37 ADC	1	Price on req.
57	140-288-14	Hex.Socket Cap Bolt M10x35 SUS304	4	Price on req.
58	058-000-26	Fixing Plate d39xd85x3t SUS304 (EN X5CrNi18-10) Stainless Steel	1	Price on req.
59	143-166-14	Flat Screw M4x8 SUS304 (EN X5CrNi18-10) Stainless Steel	2	Price on req.
60	031-000-09	Wear Ring KTV2-37 BR+NR	1	Price on req.
61	122-444-14	V-Ring VR-25 NBR	1	Price on req.
62	071-298-10	Shaft Sleeve d20xd25x9l SUS304 (EN X5CrNi18-10) Stainless Steel	1	Price on req.
63	021-F76-10	Impeller 50Hz (FCD)	1	Price on req.
64	142-130-29	Plain Washer M16 SPC	1	Price on req.
65	141-008-11	Hex.Nut M16 SUS304 (EN X5CrNi18-10)	1	Price on req.
66	141-033-15	Hex.Cap Nut M16 SUS304 (EN X5Cr18-10)	1	Price on req.
67	020-000-36	Pump Casing (New) KTV2-37 BR+NR	1	Price on req.
68	127-250-16	Fixing Plate (New) KTV2-37 SPCC	1	Price on req.
69	023-434-11	Strainer Stand KTV2-37 SPCC	1	Price on req.
70	142-128-11	Plain Washer M10 Kaltgewalztes Blech	1	Price on req.
71	140-091-18	Hex.Bolt M10x100 SUS304 (EN X5CrNi18-10) Stainless Steel	1	Price on req.
	173-553-15	Packing & O-Ring Set	1	Price on req.
	##oilVG32	ml Turbine Oil ISO VG32	400	Price on req.
	090-126-15	Electrode Extension KTVE/KTZE	1	Price on req.

Exploded View KTVE33.7-50



KTVE33.7-50