

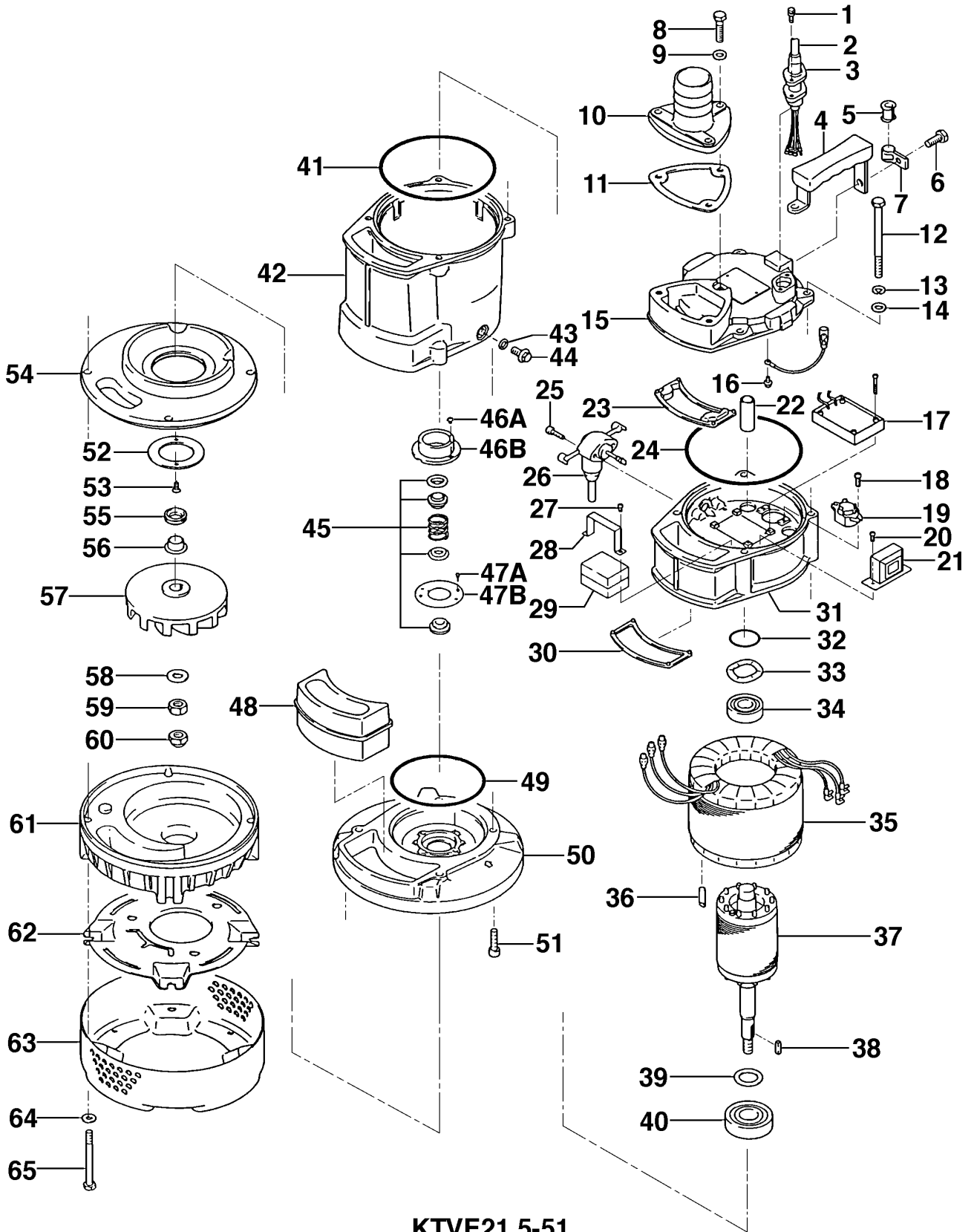
**KTVE21.5-51**

Kontroll-Nr. --

2019-01-28 V.20 / 1.11.2017

Pos.no	Item no.	Description	Quant.	UP
		Dichtungs-Oring-Satz	1	Price on req.
1	140-427-17	Hex.Bolt (w/Plain Washer) M5x15 SUS304 (EN X5CrNi18-10)	2	Price on req.
2	001-TEG-31	Cabtyre Cable Set (20m) H07RN-F4Cx1,5mm <sup>2</sup> with gland	1	Price on req.
2	M01-TEG-31	Cabtyre Cable Set (20m) NSSHÖU 4Cx1,5mm <sup>2</sup>	1	Price on req.
	061-TEG-06	Cable Repair Kit	1	Price on req.
3	003-190-10	Gland SUS316 (EN X5Cr-Ni-Mo17-12-2)	1	Price on req.
4	068-000-42	068-000-42	1	Price on req.
5	010-126-17	Cable Clip Rubber HS2 NBR	1	Price on req.
6	140-054-19	Hex.Bolt M8x20 SUS304 (EN X5Cr18-10)	1	Price on req.
7	010-130-14	Cable Clip HK2-4/15 SPC	1	Price on req.
8	140-057-12	Hex.Bolt M8x30 SUS304 (EN X5CrNi18-10) Stainless Steel	3	Price on req.
9	142-210-11	Plain Washer d8.6xd13.4x1t SUS304 (EN X5CrNi18-10) Stainless Steel	3	Price on req.
10	032-356-16	Hose Coupling 50mm(KTV2) ADC	1	Price on req.
10	032-000-24	Hose Coupling BSPT-2 FCD	1	Price on req.
11	121-001-09	Packing KTV2-15/22 NBR	1	Price on req.
12	140-070-11	Hex.Bolt M8x100 SUS304 (EN X5CrNi18-10) Stainless Steel	4	Price on req.
13	142-210-11	Plain Washer d8.6xd13.4x1t SUS304 (EN X5CrNi18-10) Stainless Steel	4	Price on req.
14	142-127-10	Plain Washer M8 SUS304 (EN X5CrNi18-10) Stainless Steel	1	Price on req.
15	051-254-12	Motor Head Cover ADC	1	Price on req.
16	143-085-34	Pan Screw (w/Spring Washer) M4x6 C3604 (EN CuZn39Pb3)	1	Price on req.
17	114-000-89	Relay Unit MEOK1-KA1(KTVE)	1	Price on req.
18	143-136-15	Truss Screw M4x10 SWRM	2	Price on req.
19	053-272-12	Motor Protector 220V-50HZ KA311-DAXL78 (T)	1	Price on req.
20	143-169-17	Truss Screw M3x8 SWRM	2	Price on req.
21	115-149-14	Transformer 380/400/415V-50HzEK400/20	1	Price on req.
22	016-139-11	Lead Wire Protection Bush KTVE21.5/22.2	2	Price on req.
23	121-445-12	Packing (Water Way, Upp.) KTV2-15/22 NBR	1	Price on req.
24	122-473-12	O-Ring 150xd3.3 NBR	1	Price on req.
25	140-427-17	Hex.Bolt (w/Plain Washer) M5x15 SUS304 (EN X5CrNi18-10)	2	Price on req.
26	090-000-43	Electrode Level Sensor EK-2CR	1	Price on req.
27	143-170-11	Truss Screw M4x6 SWRM	2	Price on req.
28	127-233-13	Power Relay Fixing Plate SECC	1	Price on req.
29	114-170-11	Electromagnetic Contactor G7L-2A-B(DC24V)	1	Price on req.
30	121-519-18	Packing (Water Way, Mid.) KTVE21.5/22.2 NBR	1	Price on req.
31	050-431-25	Motor Bracket ADC	1	Price on req.
32	122-293-16	O-Ring 47xd3.1 NBR	1	Price on req.
33	142-195-19	Wave Washer #6204/6303 SK-5	1	Price on req.
34	052-187-16	Bearing (w/O-ring) AC-6204ZZC3	1	Price on req.
35	056-001-99	Stator	1	Price on req.
36	145-028-19	Stator Set Pin d6x32 S45C	1	Price on req.
37	055-730-19	Rotor w/Bearing	1	Price on req.
38	147-128-16	Impeller Key 5x5x18.5L SUS403 (EN X6Cr13)	1	Price on req.
39	061-161-12	Bearing Collar d25.1xd36x1.6t SPC	1	Price on req.
40	052-108-13	Bearing 6305ZZC3	1	Price on req.
41	122-473-12	O-Ring 150xd3.3 NBR	1	Price on req.
42	064-000-84	Motor Frame ADC	1	Price on req.
43	121-246-11	Packing (Oil Plug) d10.3xd16x2t PE	1	Price on req.
44	035-000-01	Oil PlugM10x16(B=13) EN X5CrNi18-10	1	Price on req.
45	025-000-99	Mechanical Seal H-20T SiC	1	Price on req.
46A	143-070-10	Pan Screw M5x6 SWRM	2	Price on req.
46B	030-144-13	Oil Lifter H-20(A)(T) Resin	1	Price on req.
47A	143-070-10	Pan Screw M5x6 SWRM	2	Price on req.
47B	030-155-17	Seal Stopper H-20(KTV2) SPCC	1	Price on req.
48	121-001-04	Packing (Water Way, Low.)KTV2-15/22 SBR	1	Price on req.
49	122-134-18	O-Ring G-115 NBR	1	Price on req.
50	029-000-77	Oil Casing KTV2-15/22 ADC	1	Price on req.
51	140-270-13	Hex.Socket Cap Bolt M8x30 SUS304	4	Price on req.
52	058-000-25	Protection Plate d44xd70x3t SUS304 (EN X5CrNi18-10) Stainless Steel	1	Price on req.
53	143-166-14	Flat Screw M4x8 SUS304 (EN X5CrNi18-10) Stainless Steel	2	Price on req.
54	031-000-08	Wear Ring KTV2-15/22 BR+NR	1	Price on req.
55	122-443-13	V-Ring VR-20 NBR	1	Price on req.
56	071-297-19	Shaft Sleeve d16xd20x10l SUS304	1	Price on req.
57	021-F72-16	Impeller (50HZ) 50Hz FCD	1	Price on req.
58	142-129-25	Plain Washer M12 SPC	1	Price on req.
59	141-007-10	Hex.Nut M12 SUS304	1	Price on req.
60	141-032-14	Hex.Cap Nut M12 SUS304	1	Price on req.
61	020-B19-18	Pump Casing (New) KTV2-15/22 BR+NR	1	Price on req.
62	127-249-12	Fixing Plate (New) KTV2-15/22 SPCC	1	Price on req.
63	023-432-19	Strainer Stand KTV2-15/22 SPCC	1	Price on req.
64	142-127-23	Plain Washer M8 SPC	4	Price on req.
65	140-067-15	Hex.Bolt M8x85 SUS304 (EN X5CrNi18-10) Stainless Steel	4	Price on req.
	173-522-15	Packing & O-Ring Set	1	Price on req.
	##oilVG32	ml Turbine Oil ISO VG32	270	Price on req.
	090-126-15	Electrode Extension KTVE/KTZE	1	Price on req.

# Exploded View KTVE21.5-51



KTVE21.5-51