

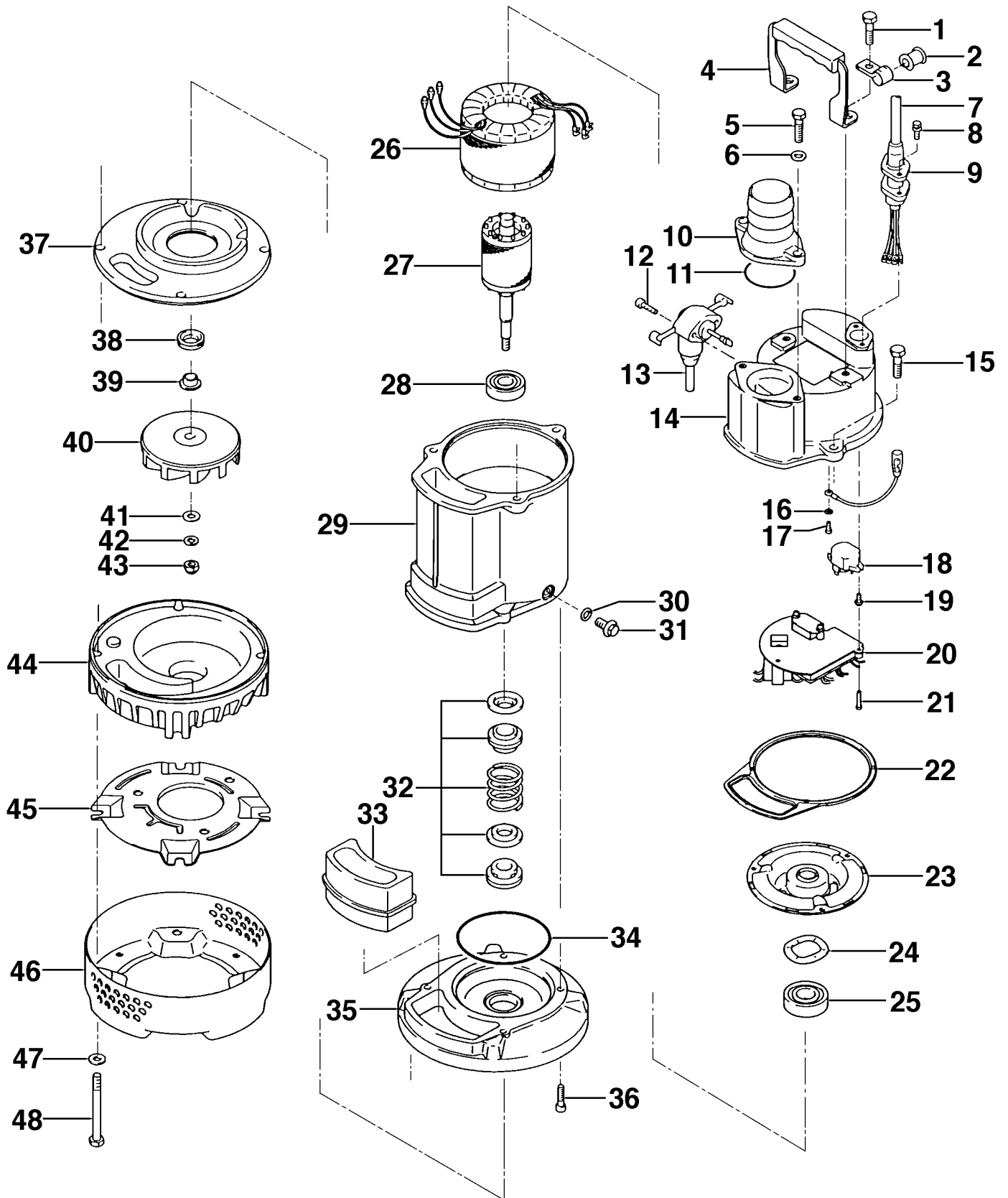
**KTVE2.75-50**

Kontroll-Nr. --

2019-01-28 V.20 / 1.11.2017

Pos.no	Item no.	Description	Quant.	UP
		Dichtungs-Oring-Satz	1	Price on req.
1	140-054-19	Hex.Bolt M8x20 SUS304 (EN X5Cr18-10)	2	Price on req.
2	010-126-17	Cable Clip Rubber HS2 NBR	1	Price on req.
3	010-130-14	Cable Clip HK2-4/15 SPC	1	Price on req.
4	068-136-22	Handle LB SPC	1	Price on req.
5	140-055-23	Hex.Bolt M8x25 SUS410	2	Price on req.
6	142-210-11	Plain Washer d8.6xd13.4x1t SUS304 (EN X5CrNi18-10) Stainless Steel	2	Price on req.
7	001-TEG-31	Cabtyre Cable Set (20m) H07RN-F4Cx1,5mm <sup>2</sup> with gland	1	Price on req.
7	M01-TEG-31	Cabtyre Cable Set (20m) NSSHOU 4Cx1,5mm <sup>2</sup>	1	Price on req.
	061-TEG-06	Cable Repair Kit	1	Price on req.
8	140-427-17	Hex.Bolt (w/Plain Washer) M5x15 SUS304 (EN X5CrNi18-10)	2	Price on req.
9	003-190-10	Gland SUS316 (EN X5Cr-Ni-Mo17-12-2)	1	Price on req.
10	032-000-67	Hose Coupling 50mm(LB2-480) ADC	1	Price on req.
10	032-000-59	Hose Coupling (for EUR)BSPT-2 FC	1	Price on req.
11	121-138-19	Packing (Screwed Flange) LB(P.C.84) NBR	1	Price on req.
12	140-427-17	Hex.Bolt (w/Plain Washer) M5x15 SUS304 (EN X5CrNi18-10)	2	Price on req.
13	090-000-43	Electrode Level Sensor EK-2CR	1	Price on req.
14	051-257-15	Motor Head Cover ADC	1	Price on req.
15	140-055-10	Hex.Bolt M8x25 SUS304	3	Price on req.
16	142-124-46	Plain Washer M4 BSBM	1	Price on req.
17	143-013-31	Pan Screw M4x6 BSBM	1	Price on req.
18	053-198-14	Motor Protector KA311-DAXL78 (T.C.)	1	Price on req.
19	143-126-12	Pan Screw (w/Spring Washer/Plain Washer) M4x12 SWRM	2	Price on req.
20	114-000-83	Relay Unit 380/400/415V-50Hz (EUR) EL-3 (380-500V)	1	Price on req.
21	143-191-18	Pan Screw (w/Spring Washer/Plain Washer) M4x20 SWRM	3	Price on req.
22	121-455-15	Packing KTV2-8 CR	1	Price on req.
23	050-408-10	Motor Bracket SPHC	1	Price on req.
24	142-194-18	Wave Washer #6203 SK-5	1	Price on req.
25	052-102-17	Bearing 6203ZC3	1	Price on req.
26	056-002-43	Stator 380/400/415V-50Hz	1	Price on req.
27	055-678-18	Rotor	1	Price on req.
28	052-187-16	Bearing (w/O-ring) AC-6204ZC3	1	Price on req.
29	064-473-19	Motor Frame ADC	1	Price on req.
30	121-248-13	Packing d8.2xd13.5x2t PE	1	Price on req.
31	035-126-14	Oil Plug M8x16(B=13) SUS304 (EN X5CrNi18-10) Stainless Steel	1	Price on req.
32	025-000-81	Mechanical Seal W-14VCA SiC	1	Price on req.
33	121-001-05	Packing KTV2-8Synthetic Rubber	1	Price on req.
34	122-131-15	O-Ring G-100 NBR	1	Price on req.
35	029-407-13	Oil Casing KTV2-8 (ADC)	1	Price on req.
36	140-253-10	Hex. Socket Cap Bolt M6x25 SUS304 (EN X5CrNi18-10) Stainless Steel	4	Price on req.
37	031-141-26	Wear Ring KTV2-8 BR+NR	1	Price on req.
38	122-441-11	V-Ring VR-14 NBR	1	Price on req.
39	071-292-14	Shaft Sleeve LB3-250/480 SUS304 (EN X5CrNi18-10) Stainless Steel	1	Price on req.
40	021-007-52	Impeller (50HZ) 50Hz Urethane Rubber	1	Price on req.
41	142-127-23	Plain Washer M8 SPC	1	Price on req.
42	142-210-11	Plain Washer d8.6xd13.4x1t SUS304 (EN X5CrNi18-10) Stainless Steel	1	Price on req.
43	141-030-12	Hex.Cap Nut M8 SUS304 (EN X5CrNi18-10) Stainless Steel	1	Price on req.
44	020-881-34	Pump Casing (New) KTV2-8 BR+NR	1	Price on req.
45	127-251-17	Fixing Plate (New) KTV2-8 SPCC	1	Price on req.
46	023-439-16	Strainer Stand KTV2-8 SPCC	1	Price on req.
47	142-127-23	Plain Washer M8 SPC	4	Price on req.
48	140-064-12	Hex.Bolt M8x70 SUS304 (EN X5CrNi18-10) Stainless Steel	4	Price on req.
	173-490-13	Packing & O-Ring Set	1	Price on req.
	#oilVG32	ml Turbine Oil ISO VG32	150	Price on req.
	090-126-15	Electrode Extension KTVE/KTZE	1	Price on req.

# Exploded View KTVE2.75-50



**KTVE2.75-50**