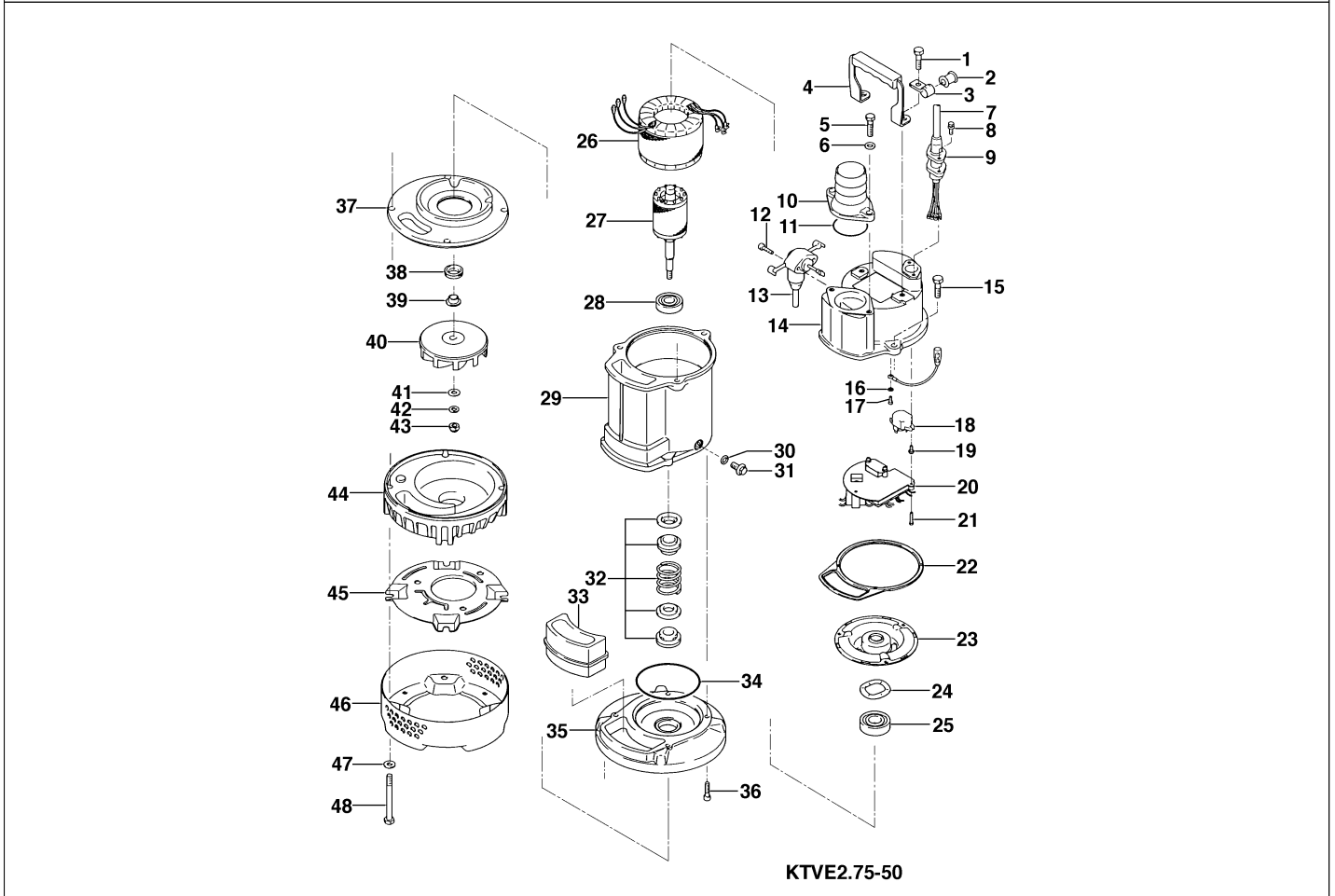


KTVE2.75-50

Kontroll-Nr. --

2024-04-03 V.01.02.2023

| Pos.no | Item no. | Description | Qty. | UP / EUR |
|--------|----------|-------------|------|----------|
|--------|----------|-------------|------|----------|



| | | | | |
|-------|------------|--|---|--|
| 1.1.1 | 173-490-13 | Packing & O-Ring Set | 1 | |
| 1 | 140-054-19 | Hex.Bolt M8x20 SUS304 (EN X5Cr18-10) | 2 | |
| 2 | 010-126-17 | Cable Clip Rubber HS2 NBR | 1 | |
| 3 | 010-130-14 | Cable Clip HK2-4/15 SPC | 1 | |
| 4 | 068-136-22 | Handle LB SPC | 1 | |
| 5 | 140-055-23 | Hex.Bolt M8x25 SUS410 | 2 | |
| 6 | 142-210-11 | Plain Washer d8.6xd13.4x1t SUS304 (EN X5CrNi18-10) Stainless Steel | 2 | |
| 7 | 001-TEG-31 | Cabletyre Cable Set (20m) H07RN-F4Cx1.5mm ² with gland | 1 | |
| 7 | M01-TEG-31 | Cabletyre Cable Set (20m) NSSHÖU 4Cx1.5mm ² | 1 | |
| | 061-TEG-06 | Cable Repair Kit | 1 | |
| 8 | 140-427-17 | Hex.Bolt (w/Plain Washer) M5x15 SUS304 (EN X5CrNi18-10) | 2 | |
| 9 | 003-190-10 | Gland SUS316 (EN X5Cr-Ni-Mo17-12-2) | 1 | |
| 10 | 032-000-67 | Hose Coupling 50mm(LB2-480) ADC | 1 | |
| 10 | 032-000-59 | Hose Coupling (for EUR)BSPT-2 FC | 1 | |
| 11 | 121-138-19 | Packing (Screwed Flange) LB(P.C.84) NBR | 1 | |
| 12 | 140-427-17 | Hex.Bolt (w/Plain Washer) M5x15 SUS304 (EN X5CrNi18-10) | 2 | |
| 13 | 090-000-43 | Electrode Level Sensor EK-4(w/Gland) | 1 | |
| 14 | 051-257-15 | Motor Head Cover ADC | 1 | |
| 15 | 140-055-10 | Hex.Bolt M8x25 SUS304 | 3 | |
| 16 | 142-124-46 | Plain Washer M4 BSBM | 1 | |
| 17 | 143-013-31 | Pan Screw M4x6 BSBM | 1 | |
| 18 | 053-443-16 | Motor Protector 380/400/415V-50Hz KA311-DAXL68 (T.C) | 1 | |
| 19 | 143-126-12 | Pan Screw (w/Spring Washer/Plain Washer) M4x12 SWRM | 2 | |
| 20 | 114-000-83 | Relay Unit 380/400/415V-50Hz (EUR) EL-3 (380-500V) | 1 | |
| 21 | 143-191-18 | Pan Screw (w/Spring Washer/Plain Washer) M4x20 SWRM | 3 | |
| 22 | 121-455-15 | Packing KTV2-8 CR | 1 | |
| 23 | 050-408-10 | Motor Bracket SPHC | 1 | |
| 24 | 142-194-18 | Wave Washer #6203 SK-5 | 1 | |
| 25 | 052-102-17 | Bearing 6203ZC3 | 1 | |
| 26 | 056-002-43 | Stator 380/400/415V-50Hz | 1 | |
| 27 | 055-678-18 | Rotor | 1 | |
| 28 | 052-187-16 | Bearing (w/O-ring) AC-6204ZC3 | 1 | |
| 29 | 064-473-19 | Motor Frame ADC | 1 | |
| 30 | 121-248-13 | Packing d8.2xd13.5x2t PE | 1 | |
| 31 | 035-126-14 | Oil Plug M8x16(B=13) SUS304 (EN X5CrNi18-10) Stainless Steel | 1 | |
| 32 | 025-000-81 | Mechanical Seal W-14VL SSIC (ROHS) | 1 | |
| 33 | 121-001-05 | Packing KTV2-8 Synthetic Rubber | 1 | |
| 34 | 122-131-15 | O-Ring G-100 NBR | 1 | |
| 35 | 029-407-13 | Oil Casing KTV2-8 (ADC) | 1 | |
| 36 | 140-253-10 | Hex. Socket Cap Bolt M6x25 SUS304 (EN X5CrNi18-10) Stainless Steel | 4 | |

KTVE2.75-50

Kontroll-Nr. --

2024-04-03 V.01.02.2023

| Pos.no | Item no. | Description | Qty. | UP / EUR |
|--------|------------|--|------|---------------|
| 37 | 031-141-26 | Wear Ring KTV2-8 BR+NR | 1 | |
| 38 | 122-441-11 | V-Ring VR-14 NBR | 1 | |
| 39 | 071-292-14 | Shaft Sleeve LB3-250/480 SUS304 (EN X5CrNi18-10) Stainless Steel | 1 | |
| 40 | 021-007-52 | Impeller (50Hz) Urethane Rubber | 1 | |
| 41 | 142-127-23 | Plain Washer M8 SPC | 1 | |
| 42 | 142-210-11 | Plain Washer d8.6xd13.4x1t SUS304 (EN X5CrNi18-10) Stainless Steel | 1 | |
| 43 | 141-030-12 | Hex.Cap Nut M8 SUS304 (EN X5CrNi18-10) Stainless Steel | 1 | |
| 44 | 020-881-34 | Pump Casing (New) KTV2-8 BR+NR | 1 | |
| 45 | 127-251-17 | Fixing Plate (New) KTV2-8 SPCC | 1 | |
| 46 | 023-439-16 | Strainer Stand KTV2-8 SPCC | 1 | |
| 47 | 142-127-23 | Plain Washer M8 SPC | 4 | |
| 48 | 140-064-12 | Hex.Bolt M8x70 SUS304 (EN X5CrNi18-10) Stainless Steel | 4 | |
| | 173-490-13 | Packing & O-Ring Set | 1 | |
| | ##oilVG32 | ml Turbine Oil ISO VG32 | 150 | Price on req. |
| | 090-126-15 | Electrode Extension KTVE/KTZE | 1 | |

| | | | | |
|--|--|--|--|--|
| | | | | |
|--|--|--|--|--|