

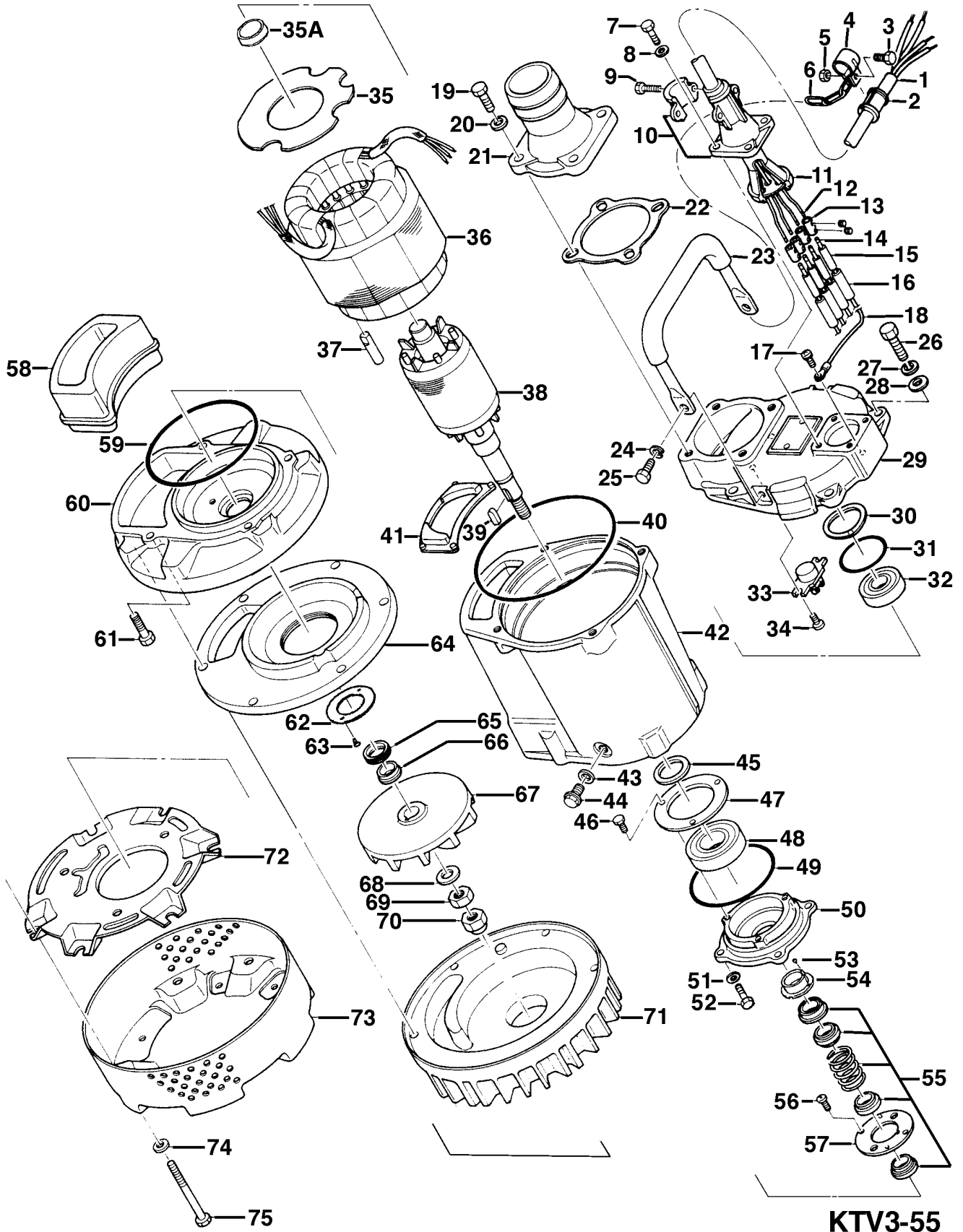
KTV3-55

Kontroll-Nr. --

2019-03-0€ V.01.02.2019

Pos.no	Item no.	Description	Quant.	UP
		Dichtungs-Oring-Satz	1	Price on req.
1	001-TEG-01	Cabtyre Cable Set (20m) H07RN-F4Cx2,5mm ² without stuffing box	1	Price on req.
	M01-TEG-01	Cabtyre Cable Set (20m) NSSHÖU 4Cx2,5mm ²	1	Price on req.
2	010-121-19	Cable Clip Rubber (EUR,NSU) No.1 NBR	1	Price on req.
3	140-032-37	Hex.Bolt M6x15 SWRM	1	Price on req.
4	010-120-18	Cable Clip No.2-1 SPC	1	Price on req.
5	141-004-33	Hex.Nut M6 SWRM	1	Price on req.
6	095-131-18	Chain 4mm(3L) SS	1	Price on req.
7	140-418-15	Hex.Bolt M8x25(B=12) SUS304 (EN X5CrNi18-10) Stainless Steel	4	Price on req.
8	142-210-11	Plain Washer d8.6xd13.4x1t SUS304 (EN X5CrNi18-10) Stainless Steel	4	Price on req.
9	140-033-12	Hex.Bolt M6x16 SUS304 (EN X5CrNi18-10) Stainless Steel	2	Price on req.
10	003-122-24	Stuffing Box No.1-1(w/Clamp) ADC	1	Price on req.
11	008-122-16	Mould Cover No.1-7 CR	1	Price on req.
12	009-123-10	Terminal (EUR,NSU) P-5,5 CU	4	Price on req.
13	009-101-12	Terminal(C/W Screw) d12x(d6.6xd6.6)x25l C3604	4	Price on req.
14	009-123-10	Terminal (EUR,NSU) P-5,5 CU	4	Price on req.
15	002-129-15	Heat Shrink Tube (Sold per meter) EVA(d14x1t) (Vm)	1	Price on req.
16	002-132-11	Heat Shrink Tube (Sold per meter) A4(d17x0.27t) (Vm)	1	Price on req.
17	143-085-34	Pan Screw (w/Spring Washer) M4x6 C3604 (EN CuZn39Pb3)	1	Price on req.
18	009-182-17	Earth Terminal 2mm2x120l	1	Price on req.
19	140-078-19	Hex.Bolt M10x30 SUS304	4	Price on req.
20	142-128-11	Plain Washer M10 Kaltgewalztes Blech	4	Price on req.
21	032-437-12	Hose Coupling (for EUR)KTV(BSPT-3) FC	1	Price on req.
21	032-118-27	Hose Coupling 80mm(37M) ADC	1	Price on req.
22	121-141-15	Packing KRB-3/4 Type NR	1	Price on req.
23	068-000-20	Handle KTV2-80 (SPG + NBR)	1	Price on req.
24	142-164-19	Spring Washer M10 SUS304	2	Price on req.
25	140-074-15	Hex.Bolt M10x20 SUS304	2	Price on req.
26	140-078-19	Hex.Bolt M10x30 SUS304	4	Price on req.
27	142-164-19	Spring Washer M10 SUS304	4	Price on req.
28	142-128-11	Plain Washer M10 Kaltgewalztes Blech	4	Price on req.
29	050-406-18	Motor Bracket ADC	1	Price on req.
30	142-197-11	Wave Washer #6305 SK-5	1	Price on req.
31	122-244-12	O-Ring 61.4xd3.1 NBR	1	Price on req.
32	052-108-13	Bearing 6305ZZC3	1	Price on req.
33	053-440-13	Motor Protector 380/400/415V-50HZ KA314-HRXL00 (H)	1	Price on req.
34	143-136-15	Truss Screw M4x10 SWRM	2	Price on req.
35A	016-144-19	Rubber Ring NBR	1	Price on req.
35	058-170-14	Lead Wire Protection Plate d80xd170x1.6t Bakelite	1	Price on req.
36	056-	Stator	1	Price on req.
37	145-030-14	Stator Set Pin d8x40 S45C	1	Price on req.
38	055-679-19	Rotor w/Bearing	1	Price on req.
39	147-073-15	Impeller Key 5x5x22l Stainless Steel	1	Price on req.
40	122-410-11	O-Ring 190xd3.8 NBR	1	Price on req.
41	121-456-16	Packing (Water Way, Upp.) KTV2-55 NBR	1	Price on req.
42	064-000-81	Motor Frame ADC	1	Price on req.
43	121-247-12	Packing d12.3xd18x2t PE	1	Price on req.
44	140-000-17	Hex.Bolt (w/Flange) M12x15(Oil Plug) SUS304 (EN X5CrNi18-10) Stainless Steel	1	Price on req.
45	061-170-14	Bearing Collar d35.1xd46x2t SPCC	1	Price on req.
46	140-029-28	Hex.Bolt M6x10 SWRM	3	Price on req.
47	062-219-19	Bearing Cover d70xd105x2.3t SPCC	1	Price on req.
48	052-110-18	Bearing 6307ZZC3	1	Price on req.
49	122-133-17	O-Ring G-110 NBR	1	Price on req.
50	060-000-85	Bearing Housing (ADC)	1	Price on req.
51	142-127-23	Plain Washer M8 SPC	4	Price on req.
52	140-054-48	Hex.Bolt M8x20 SWRM	4	Price on req.
53	143-070-23	Pan Screw M5x6 SWRM	2	Price on req.
54	030-143-12	Oil Lifter H-25(A)(T) Resin	1	Price on req.
55	025-001-00	Mechanical Seal H-25T SIC	1	Price on req.
56	143-070-10	Pan Screw M5x6 SWRM	2	Price on req.
57	030-152-14	Seal Stopper H-25(A)(T) SPCC	1	Price on req.
58	121-451-24	Packing (Water Way, Low.) KTV2-55 SBR	1	Price on req.
59	122-285-15	O-Ring 155xd3.1 NBR	1	Price on req.
60	029-000-79	Oil Casing KTV2-55 ADC	1	Price on req.
61	140-288-14	Hex.Socket Cap Bolt M10x35 SUS304	4	Price on req.
62	058-000-26	Fixing Plate d39xd85x3t SUS304 (EN X5CrNi18-10) Stainless Steel	1	Price on req.
63	143-166-14	Flat Screw M4x8 SUS304 (EN X5CrNi18-10) Stainless Steel	2	Price on req.
64	031-000-10	Wear Ring KTV2-55 BR+NR	1	Price on req.
65	122-444-14	V-Ring VR-25 NBR	1	Price on req.
66	071-298-10	Shaft Sleeve d20xd25x9l SUS304 (EN X5CrNi18-10) Stainless Steel	1	Price on req.
67	021-G11-18	Impeller (50HZ) 50Hz FCD	1	Price on req.
68	142-130-29	Plain Washer M16 SPC	1	Price on req.
69	141-008-11	Hex.Nut M16 SUS304 (EN X5CrNi18-10)	1	Price on req.
70	141-033-15	Hex.Cap Nut M16 SUS304 (EN X5Cr18-10)	1	Price on req.
71	020-891-37	Pump Casing (New) KTV2-55 BR+NR	1	Price on req.
72	127-252-18	Fixing Plate (New) KTV2-55 SPCC	1	Price on req.
73	023-444-14	Strainer Stand KTV2-55 SPCC	1	Price on req.
74	142-128-11	Plain Washer M10 Kaltgewalztes Blech	6	Price on req.
75	140-091-18	Hex.Bolt M10x100 SUS304 (EN X5CrNi18-10) Stainless Steel	6	Price on req.
	173-492-15	Packing & O-Ring Set	1	Price on req.
	##oilVG32	ml Turbine Oil ISO VG32	680	Price on req.

Exploded View KTV3-55



KTV3-55