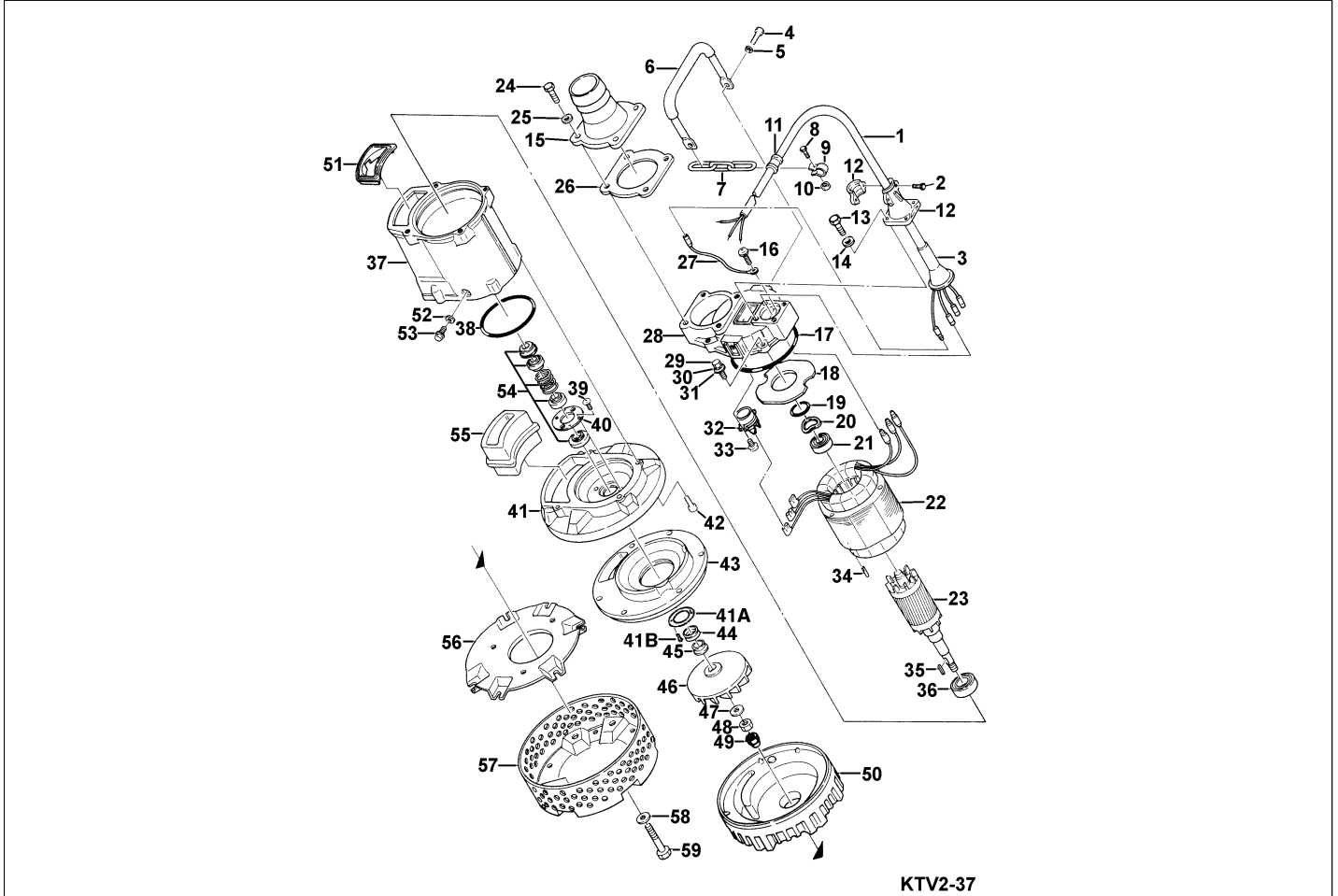


KTV2-37

Kontroll-Nr. --

2024-04-03 V.01.02.2023

Pos.no	Item no.	Description	Qty.	UP / EUR
--------	----------	-------------	------	----------


KTV2-37

1.1.1	173-473-10	Packing & O-Ring Set	1	
1	001-TEG-01	Cabletyre Cable Set (20m) H07RN-F4Cx2,5mm ² without stuffing box	1	
1	M01-TEG-01	Cabletyre Cable Set (20m) NSSHOU 4Cx2,5mm ²	1	
2	140-033-12	Hex.Bolt M6x16 SUS304 (EN X5CrNi18-10) Stainless Steel	2	
3	008-133-10	Mould Cover No.1-9 CR	1	
4	140-074-15	Hex.Bolt M10x20 SUS304	2	
5	142-164-19	Spring Washer M10 SUS304	2	
6	068-000-20	Handle KTV2-80 (SPG + NBR)	1	
7	095-000-95	Chain 4mm(4L)=24 SS	1	
8	140-032-11	Hex.Bolt M6x15 SUS304 (EN X5CrNi18-10) Stainless Steel	1	
9	010-120-18	Cable Clip No.2-1 SPC	1	Price on req.
10	141-004-17	Hex. Nut M6 SUS304 SUS304 (EN X5CrNi18-10) Stainless	1	
11	010-124-15	Cable Clip Rubber No.3 NBR	1	
12	006-000-68	Stuffing Box No.1-1(w/Clamp) ADC	1	
13	140-418-15	Hex.Bolt M8x25(B=12) SUS304 (EN X5CrNi18-10) Stainless Steel	4	
14	142-210-11	Plain Washer d8.6xd13.4x1t SUS304 (EN X5CrNi18-10) Stainless Steel	4	
15	032-437-12	Hose Coupling (for EUR)KTV(BSPT-3) FC	2	
16	143-085-34	Pan Screw (w/Spring Washer) M4x6 C3604 (EN CuZn39Pb3)	1	
17	122-298-11	O-Ring 160xd3.8 NBR	1	
18	058-117-13	Lead Wire Protection Plate d70xd140x1.6t Resin	1	
19	122-367-12	O-Ring 52xd3.1 NBR	1	
20	142-196-10	Wave Washer 6205/6304 SK5	1	
21	052-107-12	Bearing 6304ZZC3	1	
22	056-725-14	Stator 380V-50Hz	1	
22	056-726-15	Stator 440V/60HZ	1	
23	055-667-14	Rotor	1	
24	140-078-19	Hex.Bolt M10x30 SUS304	4	
25	142-128-11	Plain Washer M10 Kaltgewalztes Blech	4	
26	121-141-15	Packing KRB-3/4 Type NR	1	
27	009-177-19	Earth Terminal 2mm2	1	
28	050-403-15	Motor Bracket ADC	1	
29	140-078-19	Hex.Bolt M10x30 SUS304	4	
30	142-164-19	Spring Washer M10 SUS304	4	
31	142-128-11	Plain Washer M10 Kaltgewalztes Blech	4	
32	053-499-12	Motor Protector KA313-GDXL103 (H)	1	Price on req.
32	053-438-18	Motor Protector 380/400/415V-50HZ KA313-GCXL103 (H)	1	
33	143-136-15	Truss Screw M4x10 SWRM	2	
34	145-029-10	Stator Set Pin d8x30 S45C	1	
35	147-073-15	Impeller Key 5x5x22l Stainless Steel	1	
36	052-109-14	Bearing 6306ZZC3	1	

KTV2-37

Kontroll-Nr. --

2024-04-03 V.01.02.2023

Pos.no	Item no.	Description	Qty.	UP / EUR
37	064-000-80	Motor Frame KTV2-80 (ADC)	1	
38	122-139-13	O-Ring G-140 NBR	1	
39, 40	143-070-23	Pan Screw M5x6 SWRM	4	
39, 40	030-143-12	Oil Lifter H-25(A)(T) Resin	1	
39, 40	030-152-14	Seal Stopper H-25(A)(T) SPCC	1	
41	029-000-78	Oil Casing KTV2-37 ADC	1	
41A	058-000-26	Fixing Plate d39xd85x3t SUS304 (EN X5CrNi18-10) Stainless Steel	1	
41B	143-166-14	Flat Screw M4x8 SUS304 (EN X5CrNi18-10) Stainless Steel	1	
42	140-288-14	Hex. Socket Cap Bolt M10x35 SUS304 (EN X5CrNi18-10) Stainless	4	
43	031-000-09	Wear Ring KTV2-37 BR+NR	1	
44	122-444-14	V-Ring VR-25 NBR	1	
45	071-298-10	Shaft Sleeve d20xd25x9l SUS304 (EN X5CrNi18-10) Stainless Steel	1	
46	021-R49-14	Impeller (50Hz) FCD	1	
47	142-130-29	Plain Washer M16 SPC	1	
48	141-008-11	Hex.Nut M16 SUS304 (EN X5CrNi18-10)	1	
49	141-033-15	Hex.Cap Nut M16 SUS304 (EN X5Cr18-10)	1	
50	020-000-36	Pump Casing (New) KTV2-37 BR+NR	1	
51	121-449-16	Packing (Water Way, Upp.) KTV2-37 NBR	1	
52	121-246-11	Packing (Oil Pluq) d10.3xd16x2t PE	1	
53	035-000-01	Oil PlugM10x16(B=13) EN X5CrNi18-10	1	
54	025-001-00	Mechanical Seal H-25T SIC	1	
55	121-001-03	Packing (Water Way, Low.)KTV2-37 SBR	1	
56	127-250-16	Fixing Plate (New) KTV2-37 SPCC	1	
57	023-434-11	Strainer Stand KTV2-37 SPCC	1	
58	142-128-11	Plain Washer M10 Kaltgewalztes Blech	6	
59	140-091-18	Hex.Bolt M10x100 SUS304 (EN X5CrNi18-10) Stainless Steel	6	
	173-473-10	Packing & O-Ring Set	1	
	##oilVG32	ml Turbine Oil ISO VG32	400	Price on req.