

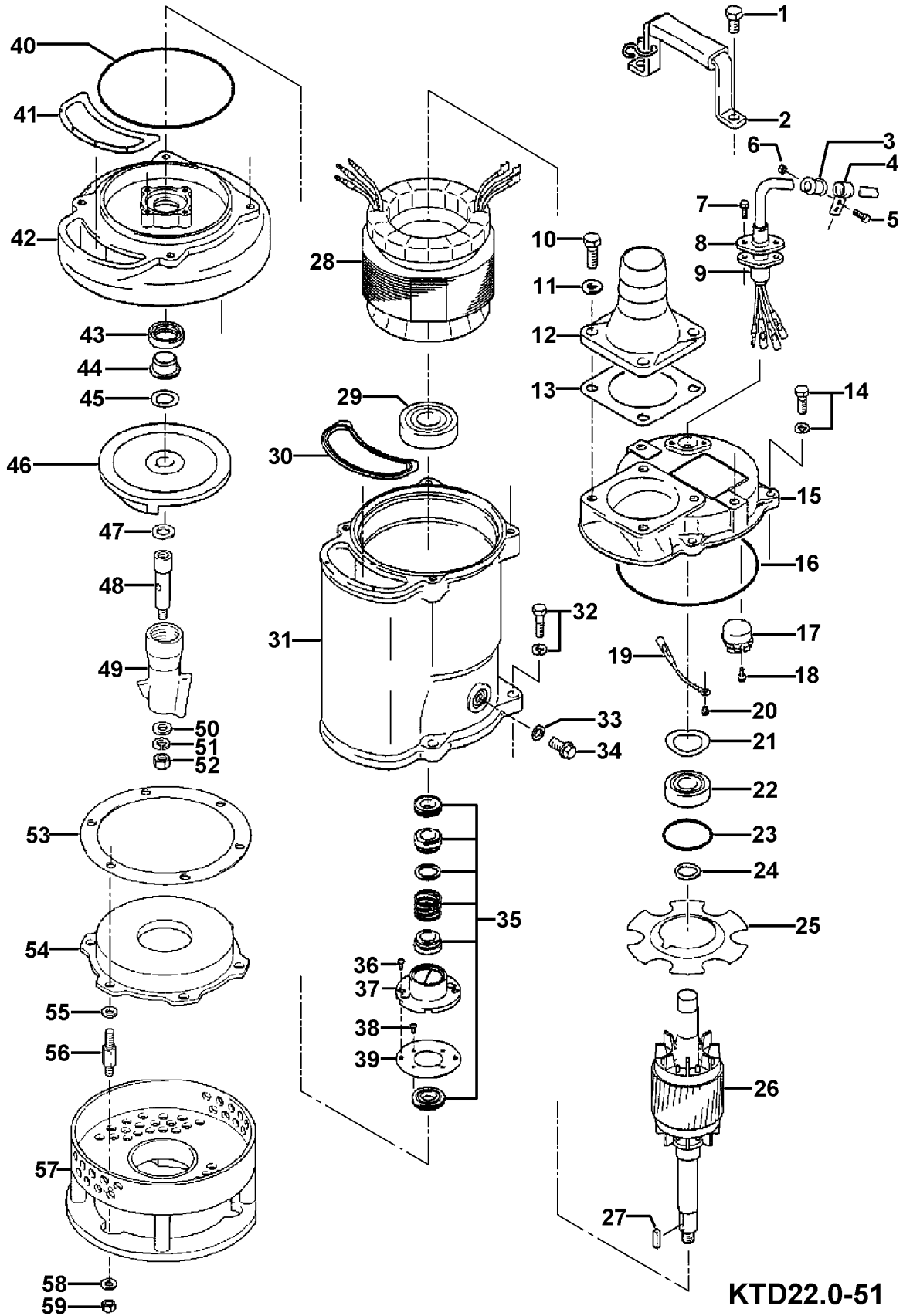
KTD22.0-51

Kontroll-Nr. --

2018-05-25 V.18 / 1.10.2015

| KTD22.0-51 | | | |
|------------|------------|--|--------|
| Item | Item no. | Description | Quant. |
| 1 | 140-074-15 | Hex.Bolt M10x20 SUS304 (EN X5CrNi18-10) Stainless Steel | 2 |
| 2 | 068-000-34 | Handle KTZ1.5/2.2-61(USA) SPC+ NBR | 1 |
| 3 | 010-126-17 | Cable Clip Rubber HS2 NBR | 1 |
| 4 | 010-105-10 | Cable Clip SB SPC | 1 |
| 5 | 140-018-37 | Hex.Bolt M5x15 SWRM | 1 |
| 6 | 141-003-58 | Hex.Nut M5 SWRM | 1 |
| 7 | 140-427-17 | Hex.Bolt (w/Plain Washer) M5x15 SUS304 (EN X5CrNi18-10) | 2 |
| 8 | 003-190-10 | Gland SUS316 (EN X5Cr-Ni-Mb17-12-2) | 1 |
| 9 | M01-TEG-31 | Cabletye Cable Set (20m) NSSHOU 4Cx1,5mm ² | 1 |
| 10 | 140-000-01 | Hex.Bolt M10x30(B=14) SUS304 (EN X5CrNi18-10) Stainless Steel | 4 |
| 11 | 142-128-24 | Plain Washer M10 Kaltgewalztes Blech | 4 |
| 12 | 032-434-19 | Hose Coupling (for EUR)KTZ(BSPT-2) FC | 1 |
| 13 | 121-181-17 | Packing KT-15 NBR | 1 |
| 14 | 140-488-16 | Hex.Bolt (w/Spring Washer) M8x30 SUS304 (EN X5Cr18-10) | 4 |
| 15 | 050-420-18 | Motor Bracket FC | 1 |
| 16 | 122-140-17 | O-Ring G-145 NBR | 1 |
| 17 | 053-477-19 | Motor Protector (380/415-50) KA313-GQXL104 (T.C) | 1 |
| 18 | 143-126-12 | Pan Screw (w/Spring Washer/Plain Washer) M4x12 SWRM | 2 |
| 19 | 009-292-11 | Earth Terminal 1.25mmx140L | 1 |
| 20 | 143-085-34 | Pan Screw (w/Spring Washer) M4x6 C3604 (EN CuZn39Pb3) | 1 |
| 21 | 142-389-12 | Wave Washer #6204 SK-5 | 1 |
| 22 | 052-187-16 | Bearing (w/O-ring) AC-6204ZZC3 | 1 |
| 23 | 122-293-16 | O-Ring 47x3,1 NBR | 1 |
| 24 | 061-174-18 | Slinger d20xd27x2t SPC | 1 |
| 25 | 058-000-13 | Lead Wire Protection Plate d61xd136x2t (Resin) | 1 |
| 26 | 055-706-16 | Rotor | 1 |
| 27 | 147-017-11 | Impeller Key 5x5x20l SUS | 1 |
| 28 | 056-001-19 | Stator 380/400/415V-50Hz | 1 |
| 29 | 052-108-13 | Bearing 6305ZZC3 | 1 |
| 30 | 121-507-13 | Packing (Water Way, Upp.) KTZ21.5/32.2 NBR | 1 |
| 31 | 064-000-10 | Motor Frame (FC) | 1 |
| 32 | 140-488-16 | Hex.Bolt (w/Spring Washer) M8x30 SUS304 (EN X5Cr18-10) | 4 |
| 33 | 121-246-11 | Packing (Oil Plug) d10.3xd16x2t PE | 1 |
| 34 | 035-125-13 | Oil Plug M10x20(B=13) SUS304 (EN X5CrNi18-10) Stainless Steel | 1 |
| 35 | 025-243-17 | Mechanical Seal H-20T SiC | 1 |
| 36 | 143-070-23 | Pan Screw M5x6 SWRM | 2 |
| 37 | 030-144-13 | Oil Lifter H-20(A)(T) Resin | 1 |
| 38 | 143-070-10 | Pan Screw M5x6 SWRM | 4 |
| 39 | 030-154-16 | Seal Stopper H-20T SPCC | 1 |
| 40 | 122-139-13 | O-Ring G-140 NBR | 1 |
| 41 | 121-501-17 | Packing (Water Way, Low.) KTZ21.5/22.2 NBR | 1 |
| 42 | 020-001-01 | Pump Casing KTZ21.5/32.2 FC | 1 |
| 43 | 026-105-19 | Oil Seal TC-25388 NBR | 1 |
| 44 | 071-314-13 | Shaft Sleeve d20xd25x16l SUS304 (EN X5CrNi18-10) Stainless Steel | 1 |
| 45 | 040-104-25 | Impeller Shim d18.2xd29x0.3t SUS304 (EN X5CrNi18-10) Stainless Steel | 1 |
| 46 | 021-554-12 | Impeller (50Hz) 15H/50Hz HiCrFC | 1 |
| 47 | 142-129-12 | Plain Washer M12 SUS304 (EN X5CrNi18-10) | 1 |
| 48 | 024-124-18 | Clutch KTR-22S S45C | 1 |
| 49 | 024-000-04 | StirerKT D22.0 FCD | 1 |
| 50 | 142-128-11 | Plain Washer M10 SUS304 (EN X5CrNi18-10) | 1 |
| 51 | 142-164-19 | Spring Washer M10 SUS304 (EN X5CrNi18-10) | 1 |
| 52 | 141-031-13 | Hex.Cap Nut M10 SUS304 (EN X5CrNi18-10) Stainless Steel | 1 |
| 53 | 120-110-12 | Packing (S.Cover) d150xd186x0.3t PE | 1 |
| 54 | 022-000-52 | Suction Cover KTZ21.5/22.5 (FCD) | 1 |
| 55 | 142-127-23 | Plain Washer M8 SPC | 3 |
| 56 | 144-000-63 | Stud Bolt M8-22xM8-17x59L DIN 1.4006 (EN X12Cr13) Edelstahl | 3 |
| 57 | 023-218-17 | Strainer Stand KTR-22S SS | 1 |
| 58 | 142-163-18 | Spring Washer M8 SUS304 (EN X5Cr18-10) | 3 |
| 59 | 141-005-18 | Hex.Nut M8 SUS304 (EN X5CrNi18-10) | 3 |
| | 173-513-13 | Packing & O-Ring Set | 1 |
| | 183-008-11 | "Impeller Puller "A Type No.3 1"" | 1 |
| | ##oilVG32 | ml Turbine Oil ISO VG32 | 740 |

Exploded View KTD22.0-51



KTD22.0-51