

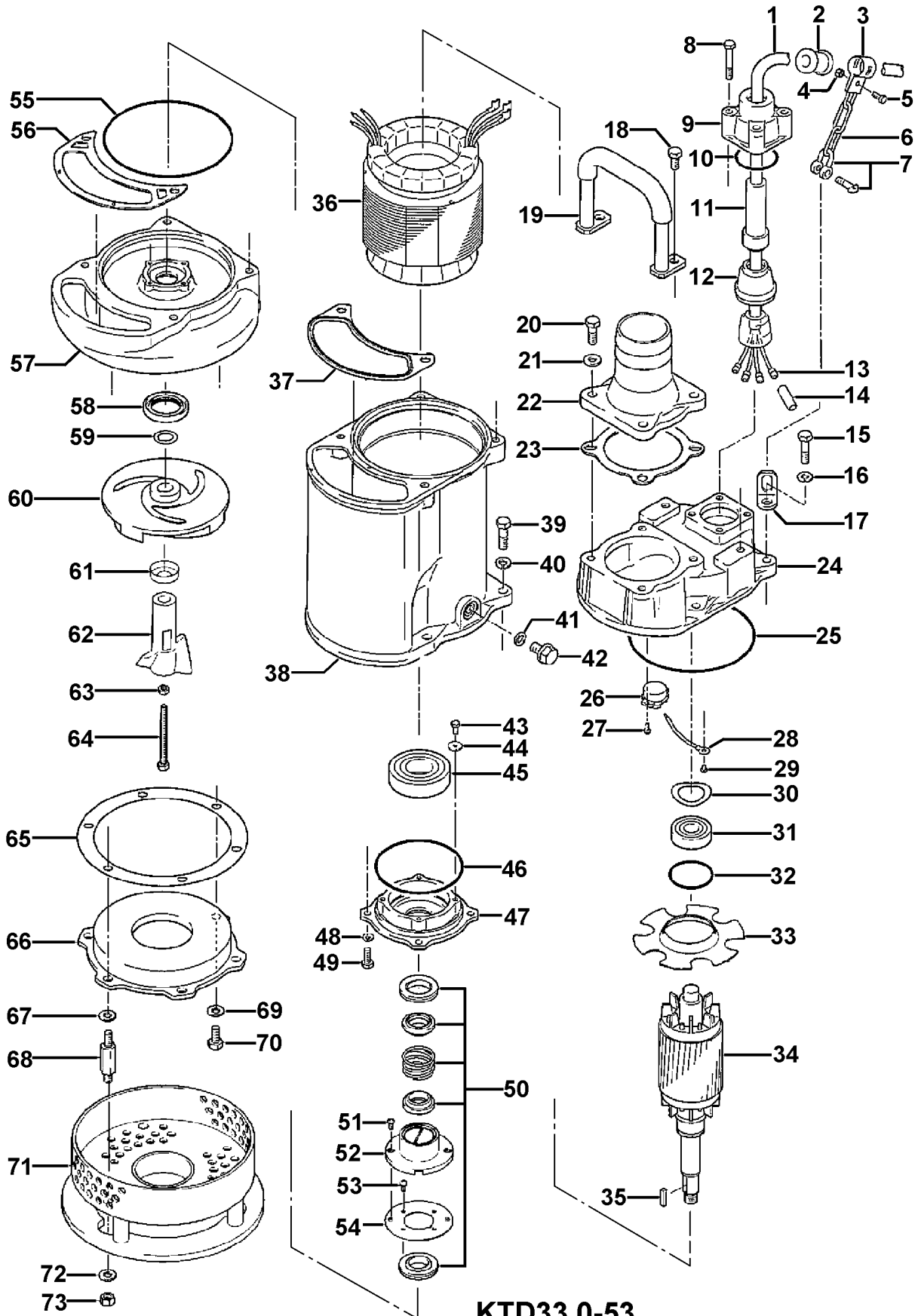
KTD33.0-53

Kontroll-Nr. --

2018-10-25 V.18 / 1.10.2015

| KTD33.0-53 | | | |
|------------|------------|---|--------|
| Item | Item no. | Description | Quant. |
| 1 | M01-TEG-02 | Cable Set (20m) NSSHÖU 4Cx2,5mm² | 1 |
| 2 | 010-151-11 | Cable Clip Rubber 220/230/240V-50Hz(EUR) No.4 NBR | 1 |
| 3 | 010-120-18 | Cable Clip No.2-1 SPC | 1 |
| 4 | 141-004-59 | Hex.Nut M6 SWRM | 1 |
| 5 | 140-032-37 | Hex.Bolt M6x15 SWRM | 1 |
| 6 | 095-131-18 | Chain d4(3-Link) SS | 1 |
| 7 | 011-110-11 | Shackle 6mm SS | 1 |
| 8 | 140-060-18 | Hex.Bolt M6x50 SUS304 | 4 |
| 9 | 006-167-17 | Stuffing Box No.1-3 FC | 1 |
| 10 | 122-121-12 | O-Ring G-50 NBR | 1 |
| 11 | 004-167-11 | Cable Bush No.1 CR | 1 |
| 12 | 008-156-19 | Mould Cover No.1-3 ADC | 1 |
| 13 | 009-126-13 | Terminal 1.25mm2/2mm2 Nylon | 4 |
| 14 | 002-135-14 | Heat Shrink Tube (Sold per meter) A(d15x0.3t) (V/m) | 1 |
| 15 | 140-079-10 | Hex.Bolt M10x40 SUS304 (EN X5Cr18-10) | 4 |
| 16 | 142-164-19 | Spring Washer M10 SUS304 (EN X5CrNi18-10) | 4 |
| 17 | 070-117-11 | L-Shape Fitting 40x25x4.5t d13Hole SPC | 1 |
| 18 | 140-074-15 | Hex.Bolt M10x20 SUS304 (EN X5CrNi18-10) Stainless Steel | 2 |
| 19 | 068-000-36 | Handle KTZ23.7/45.5 SGP+SS | 1 |
| 20 | 140-000-01 | Hex.Bolt M10x30(B=14) SUS304 (EN X5CrNi18-10) Stainless Steel | 4 |
| 21 | 142-128-24 | Plain Washer M10 Kaltgewalztes Blech | 4 |
| 22 | 032-437-12 | Hose Coupling (for EUR)KTV(BSPT-3) FC | 1 |
| 23 | 121-141-15 | Packing KRB-3/4 T type NR | 1 |
| 24 | 050-419-14 | Motor Bracket FC | 1 |
| 25 | 122-276-13 | O-Ring 160xd3.1 NBR | 1 |
| 26 | 053-222-17 | Motor Protector 380/400/415V-50HZ KA314-HMXL00 (H.C) | 1 |
| 27 | 143-126-12 | Pan Screw (w/Spring Washer/Plain Washer) M4x12 SWRM | 2 |
| 28 | 009-293-12 | Earth Terminal 2mm2x180l | 1 |
| 29 | 143-085-34 | Pan Screw (w/Spring Washer) M4x6 C3604 (EN CuZn39Pb3) | 1 |
| 30 | 142-196-10 | Wave Washer 6205/6304 SK5 | 1 |
| 31 | 052-107-12 | Bearing 6304ZZC3 | 1 |
| 32 | 122-367-12 | O-Ring 52xd3.1 NBR | 1 |
| 33 | 058-000-04 | Lead Wire Protection Plate d66xd150x1.5t Bakelite | 1 |
| 34 | 055-002-82 | Rotor | 1 |
| 35 | 147-026-13 | Impeller Key 5x5x25l Stainless Steel | 1 |
| 36 | 056-001-29 | Stator 380/400/415V-50Hz | 1 |
| 37 | 121-506-12 | Packing (Water Way, Upp.) KTZ23.7/33.7/43.7 NBR | 1 |
| 38 | 064-000-19 | Motor Frame FC | 1 |
| 39 | 140-078-19 | Hex.Bolt M10x35 SUS304 (EN X5CrNi18-10) | 4 |
| 40 | 142-164-19 | Spring Washer M10 SUS304 (EN X5CrNi18-10) | 4 |
| 41 | 121-247-12 | Packing (Oil Plug) d12.3xd18x2t PE | 1 |
| 42 | 140-000-17 | Hex.Bolt (w/Flange) M12x15(Oil Plug) SUS304 (EN X5CrNi18-10) Stainless Steel | 1 |
| 43 | 140-000-23 | Hex.Bolt (w/Spring Washer) M5x10 SWRM | 4 |
| 44 | 062-000-02 | Bearing Cover d5.5xd18x2t SPC | 4 |
| 45 | 052-110-18 | Bearing 6307ZZC3 | 1 |
| 46 | 122-133-17 | O-Ring G-110 NBR | 1 |
| 47 | 060-001-76 | Bearing Housing FC | 1 |
| 48 | 142-163-34 | Spring Washer M8 SWRH | 4 |
| 49 | 140-054-48 | Hex.Bolt M8x20 SWRM | 4 |
| 50 | 025-000-07 | Mechanical Seal H-25T SiC | 1 |
| 51 | 143-070-23 | Pan Screw M5x6 SWRM | 2 |
| 52 | 030-143-12 | Oil Lifter H-25(A)(T) Resin | 1 |
| 53 | 143-070-10 | Pan Screw M5x6 SWRM | 4 |
| 54 | 030-148-17 | Seal Stopper For HT-2530 SPCC | 1 |
| 55 | 122-283-13 | O-Ring 165xd3.1 NBR | 1 |
| 56 | 121-124-12 | Packing (Water Way, Low.) KTV-37/55 NBR | 1 |
| 57 | 020-001-02 | Pump Casing KTZ23.7/33.7/43.7 FC | 1 |
| 58 | 026-144-49 | Oil Seal TC-40588 NBR | 1 |
| 59 | 040-106-27 | Impeller Shim d20.2xd30x0.3t SUS304 (EN X5CrNi18-10) Stainless Steel | 1 |
| 60 | 021-L17-18 | Impeller (60Hz) 60Hz HiCrFC | 1 |
| 61 | 047-104-26 | Impeller Thread Protect.Cover No.3B(18) SUS304 (EN X5CrNi18-10) Stainless Steel | 1 |
| 62 | 024-129-13 | Stirrer KTV-80 FCD | 1 |
| 63 | 141-005-18 | Hex.Nut M8 SUS304 (EN X5CrNi18-10) | 1 |
| 64 | 140-068-45 | Hex.Bolt M8x90(B=10) SUS304 (EN X5CrNi18-10) Stainless Steel | 1 |
| 65 | 120-109-21 | Packing (S.Cover) d180xd220x0.3t PE | 1 |
| 66 | 022-000-55 | Suction Cover KTZ33.7 (FCD) | 1 |
| 67 | 142-128-24 | Plain Washer M10 Kaltgewalztes Blech | 3 |
| 68 | 144-000-59 | Stud Bolt M10x77(20/17) DIN 1.4006 (EN X12Cr13) Edelstahl | 3 |
| 69 | 142-128-24 | Plain Washer M10 Kaltgewalztes Blech | 3 |
| 70 | 140-074-15 | Hex.Bolt M10x20 SUS304 (EN X5CrNi18-10) Stainless Steel | 3 |
| 71 | 023-490-15 | Strainer StandKTD33.0 SS | 1 |
| 72 | 142-164-19 | Spring Washer M10 SUS304 (EN X5CrNi18-10) | 3 |
| 73 | 141-006-19 | Hex.Nut M10 SUS304 (EN X5CrNi18-10) | 3 |
| | 173-514-14 | Packing & O-Ring Set | 1 |
| | 183-008-11 | "Impeller Puller "A Type No.3 1"" | 1 |
| | ##oilVG32 | ml Turbine Oil ISO VG32 | 1200 |

Exploded View KTD33.0-53



KTD33.0-53