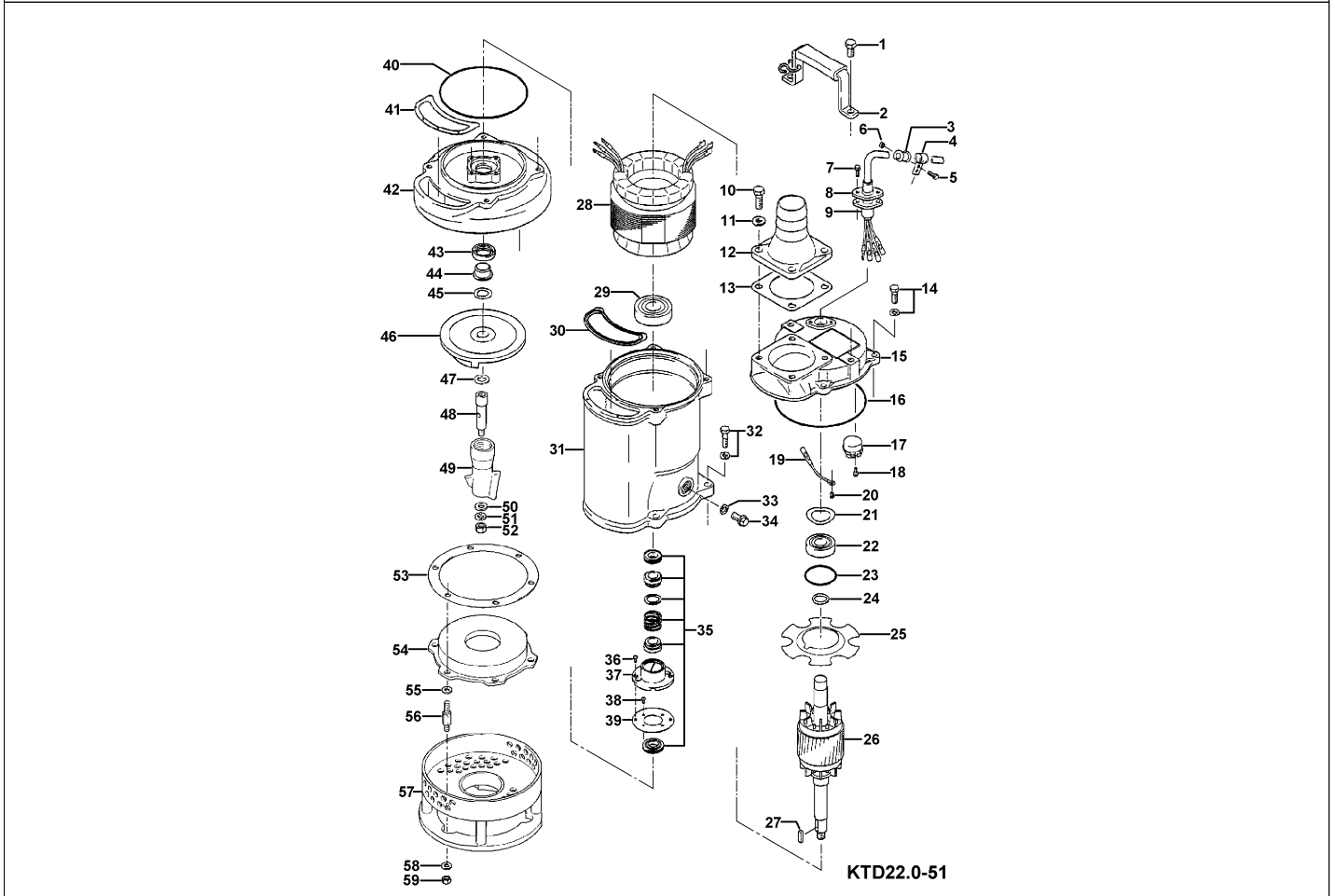


**KTD22.0-51**

Kontroll-Nr. --

2024-04-03 V.01.02.2023

Pos.no	Item no.	Description	Qty.	UP / EUR
--------	----------	-------------	------	----------



Pos.no	Item no.	Description	Qty.	UP / EUR
1.1.1	173-513-13	Packing & O-Ring Set	1	
1	140-074-15	Hex.Bolt M10x20 SUS304	2	
2	068-000-34	Handle KTZ1.5/2.2-61(USA) SPC+ NBR	1	
3	010-126-17	Cable Clip Rubber HS2 NBR	1	
4	010-105-10	Cable Clip SB SPC	1	
5	140-018-37	Hex.Bolt M5x15 SWRM	1	
6	141-003-58	Hex.Nut M5 SWRM	1	
7	140-427-17	Hex.Bolt (w/Plain Washer) M5x15 SUS304 (EN X5CrNi18-10)	2	
8	003-190-10	Gland SUS316 (EN X5Cr-Ni-Mo17-12-2)	1	
9	M01-TEG-31	Cabletyre Cable Set (20m) NSSHÖU 4Cx1,5mm²	1	
10	140-000-01	Hex.Bolt M10x30(B=14) SUS304 (EN X5CrNi18-10) Stainless Steel	4	
11	142-128-11	Plain Washer M10 Kaltgewalztes Blech	4	
12	032-434-19	Hose Coupling (for EUR)KTZ(BSPT-2) FC	1	
12	032-111-17	Hose Coupling 50mm(15H) ADC	1	
13	121-181-17	Packing KT-15 NBR	1	
14	140-488-16	Hex.Bolt (w/Spring Washer) M8x30 SUS304 (EN X5Cr18-10)	4	
15	050-420-18	Motor Bracket FC	1	
16	122-140-17	O-Ring G-145 NBR	1	
17	053-000-02	Motor Protector 380V-50Hz(CHN) KA313-GDVL103 (T.C)	1	
18	143-126-12	Pan Screw (w/Spring Washer/Plain Washer) M4x12 SWRM	2	
19	009-292-11	Earth Terminal 1.25mmx140L	1	
20	143-085-34	Pan Screw (w/Spring Washer) M4x6 C3604 (EN CuZn39Pb3)	1	
21	142-389-12	Wave Washer #6204 SK-5	1	
22	052-187-16	Bearing (w/O-ring) AC-6204ZCC3	1	
23	122-293-16	O-Ring 47xd3.1 NBR	1	
24	061-174-18	Slinger d20xd27x2t SPC	1	
25	058-000-13	Lead Wire Protection Plate d61xd136x2t (Resin)	1	
26	055-706-16	Rotor	1	
27	147-017-11	Impeller Key 5x5x20I SUS	1	
28	056-012-86	Stator 380/400/415V-50Hz	1	
29	052-108-13	Bearing 6305ZCC3	1	
30	121-507-13	Packing (Water Wav. Upp.) KTZ21.5/32.2 NBR	1	
31	064-000-10	Motor Frame (FC)	1	
32	140-488-16	Hex.Bolt (w/Spring Washer) M8x30 SUS304 (EN X5Cr18-10)	4	
33	121-246-11	Packing (Oil Plug) d10.3xd16x2t PE	1	
34	035-125-13	Oil Plug M10x20(B=13) SUS304 (EN X5CrNi18-10) Stainless Steel	1	
35	025-000-99	Mechanical Seal H-20T SiC	1	
36	143-070-23	Pan Screw M5x6 SWRM	2	
37	030-144-13	Oil Lifter H-20(A)(T) Resin	1	
38	143-070-23	Pan Screw M5x6 SWRM	4	

**KTD22.0-51**

Kontroll-Nr. --

2024-04-03 V.01.02.2023

Pos.no	Item no.	Description	Qty.	UP / EUR
39	030-154-16	Seal Stopper H-20T SPCC	1	
40	122-139-13	O-Ring G-140 NBR	1	
41	121-501-17	Packing (Water Way, Low.) KTZ21.5/22.2 NBR	1	
42	020-001-01	Pump Casing KTZ21.5/32.2 FC	1	
43	026-105-19	Oil Seal TC-25388 NBR	1	
44	071-314-13	Shaft Sleeve d20xd25x16l SUS304 (EN X5CrNi18-10) Stainless Steel	1	
45	040-104-25	Impeller Shim d18.2xd29x0.3t SUS304 (EN X5CrNi18-10) Stainless Steel	1	
46	021-554-12	Impeller (50Hz) 15H/50Hz HiCrFC	1	
47	142-129-12	Plain Washer M12 SUS304	1	
48	024-124-18	Clutch KTR-22S S45C	1	
49	024-000-04	StirrerKTD22.0 FCD	1	
50	142-128-11	Plain Washer M10 Kaltgewalztes Blech	1	
51	142-164-19	Spring Washer M10 SUS304	1	
52	141-031-13	Hex.Cap Nut M10 SUS304 (EN X5CrNi18-10) Stainless Steel	1	
53	120-110-12	Packing (S.Cover) d150xd186x0.3t PE	1	
54	022-000-52	Suction Cover KTZ21.5/22.5 (FCD)	1	
55	142-127-23	Plain Washer M8 SPC	3	
56	144-000-63	Stud Bolt M8-22xM8-17x59L DIN 1.4006 (EN X12Cr13) Edelstahl	3	
57	023-218-17	Strainer Stand KTR-22S SS	1	
58	142-163-18	Spring Washer M8 SUS304	3	
59	141-005-18	Hex.Nut M8 SUS304 (EN X5CrNi18-10)	3	
	173-513-13	Packing & O-Ring Set	1	
	183-008-11	Impeller Puller A Typ No.3 1	1	
	##oilVG32	ml Turbine Oil ISO VG32	740	Price on req.